

### Key Features & Benefits:

- Kelvin & Wattage Selectable
- Beam Angle Selectable
  - NEMA 5, 6 & 7 Options
- Built In On/Off Photocell
- Occupancy and Emergency Options

### Product Specifications:

Selectable Wattage: 80W–100W–120W  
 Selectable Kelvin: 3000K–4000K–5000K  
 Selectable Beam Angle: 60°–90°–110°  
 Lumen Output: Up to 17,400 Lumens  
 Efficacy (lm/W): Up to 145 Lumens per Watt  
 Dimming: 0–10V Dim to Off  
 CRI: >80  
 Power Frequency: 50/60Hz  
 Power Factor: >0.9  
 Operating Temperature: -40°F to 122°F (-40°C to 50°C)  
 Input Voltage: 120–277 VAC  
 Estimated L70 Lifetime 145,000 hrs Calculated Per TM21  
 Warranty: 5 Year Warranty  
 Weight (lbs): 8.2  
 Dimensions: 14.36" x 9.30" x 7.45"  
 Default Settings: 120W, 5000K & 110° Beam Angle  
 Default Photocell: On

Project: \_\_\_\_\_ Date: \_\_\_\_\_

Catalog #: \_\_\_\_\_

Notes: \_\_\_\_\_



### Ordering Guide:

ESL	TYPE	WATTAGE	GENERATION	KELVIN	FINISH	OPTIONS
ESL	WP (WP) Wall Pack	80120W (4080W) 40W–60W–80W (80120W) 80W–100W–120W	7 (7) 7th Generation	3050 (3050) 3000K–4000K–5000K	BZ (BZ) Bronze	See Options Table on pg 2

### FACTORY INSTALLED OPTIONS

EM8	Emergency Backup Battery Unit, Auto Test Function, 8 Watts Output, 90 Minutes Min, 120–277 VAC Input, 30–200 VDC Output, Closed Lead Wiring, UL Listed for Factory Installation
11OCC	Microwave Occupancy Sensor

### FIELD INSTALLED ACCESSORIES

ESL-11OCC-LV-BR	PIR Occupancy
ESL-REM100	Occupancy Sensor Remote

### Catalog Data:

ITEM#	SELECTABLE WATTAGE	SELECTABLE KELVIN	MAX LUMEN OUTPUT	EFFICACY (lm/W)	DIMENSIONS	DLC QPL CODE
ESL-WP-4080W-73050-BZ	40W–60W–80W	3000K–4000K–5000K	11,600	145	14.36" x 9.30" x 7.45"	S-Q824DP
ESL-WP-80120W-73050-BZ	80W–100W–120W		17,400	145	14.36" x 9.30" x 7.45"	S-R7X9KB

### Electrical Load — Standard Voltage:

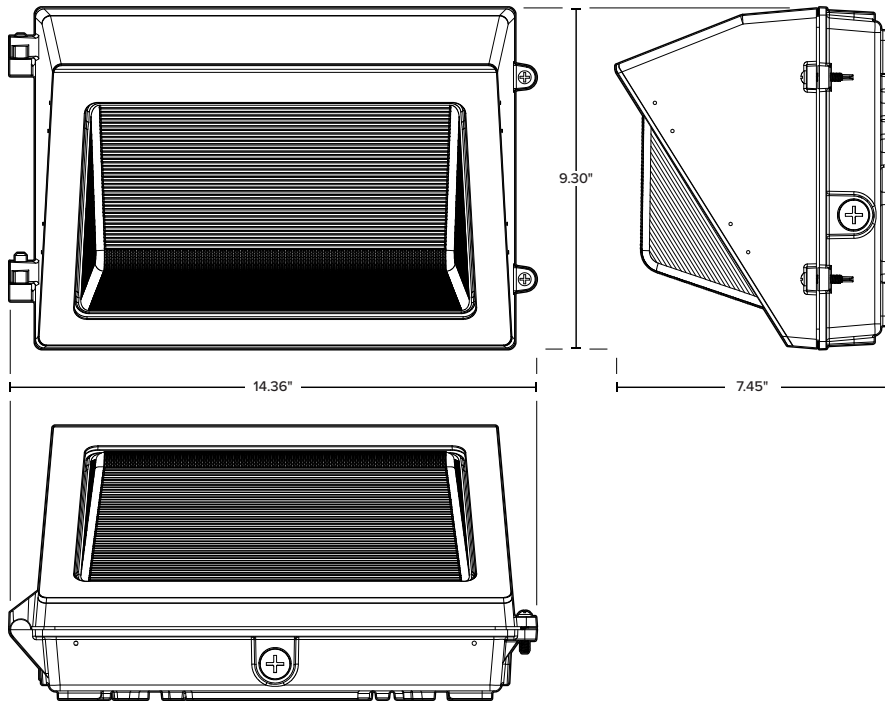
SYSTEM WATTS	INPUT CURRENT				INPUT WATTAGE	INPUT FREQUENCY	POWER FACTOR	THD	OPERATING TEMPERATURE	SURGE PROTECTION	DIMMING
	120 VAC	208 VAC	240 VAC	277 VAC							
40	0.33	0.19	0.17	0.14	120–277 VAC	50/60 Hz	>0.9	<20%	-40°F to 122°F (-40°C to 50°C)	6kV Driver	0–10V Dim to Off
60	0.50	0.29	0.25	0.22	120–277 VAC	50/60 Hz	>0.9	<20%	-40°F to 122°F (-40°C to 50°C)	6kV Driver	0–10V Dim to Off
80	0.67	0.38	0.33	0.29	120–277 VAC	50/60 Hz	>0.9	<20%	-40°F to 122°F (-40°C to 50°C)	6kV Driver	0–10V Dim to Off
100	0.83	0.48	0.42	0.36	120–277 VAC	50/60 Hz	>0.9	<20%	-40°F to 122°F (-40°C to 50°C)	6kV Driver	0–10V Dim to Off
120	1.00	0.58	0.50	0.43	120–277 VAC	50/60 Hz	>0.9	<20%	-40°F to 122°F (-40°C to 50°C)	6kV Driver	0–10V Dim to Off

### Lumen Ambient Temperature (LAT) Multipliers:

AMBIENT	LUMEN MULTIPLIER
0 °C / 32 °F	1.02
10 °C / 50 °F	1.01
20 °C / 68 °F	1.00
25 °C / 77 °F	1.00
30 °C / 86 °F	1.00
40 °C / 104 °F	0.99
50 °C / 122 °F	0.96

**Dimensions:**

ESL-WP-4080W-73050-XX &  
ESL-WP-80120W-73050-XX



**Mounting Dimensions:**

ESL-WP-4080W-73050-XX &  
ESL-WP-80120W-73050-XX

