

Key Features & Benefits:

The CleanBeam VaporTight Series is engineered as a modern LED upgrade that preserves the familiar look of legacy fluorescent vapor tights while dramatically improving durability, efficiency, and food-zone readiness. Built around a 5VA-rated fiberglass housing, sealed PIP gasket system, and IK08 impact-resistant lens options, it delivers long-term reliability in washdown, food processing, and industrial environments where corrosion, moisture, and chemical exposure are everyday challenges.

With selectable wattage and CCT, robust surge protection, emergency capability, and precision-sealed internal components, the CleanBeam VaporTight provides a dependable, facility-friendly solution that maintains visual consistency across production areas, cold rooms, and utility zones.

Optics

- Injection-molded acrylic lens in clear or 88% frosted for glare control
- UV-stabilized, non-yellowing optical materials for long-term clarity
- IK08 impact-rated lens for food, washdown, and industrial environments
- High-transmission acrylic engineered for maximum lumen delivery
- Diffused option provides uniform light distribution with reduced contrast
- Fully sealed optical chamber prevents moisture, dust, and chemical ingress
- Smooth exterior lens profile reduces debris buildup and simplifies cleaning
- Optical performance optimized for low-bay and mid-bay mounting heights
- Maintains output and uniformity across selectable wattage ranges
- Lens-to-housing interface designed for consistent pressure on PIP gasket

Electrical

- Selectable wattage and CCT for flexible lumen output and inventory reduction
- High-efficiency LED engine with stable performance across all wattage settings
- 0–10V dimming driver standard, dims smoothly to 10%
- Available in 120–277 VAC and 277–480 VAC input options
- Driver integral 4kV surge protection with standard 10kV SPD for enhanced reliability
- Emergency lighting capable with compatible EM battery systems
- Thermally protected Class P driver for long-term reliability
- Conformal-coated LED boards for moisture, condensation, and chemical resistance
- Potted driver for additional water ingress protection in washdown environments
- Fault-tolerant LED architecture maintains partial illumination in LED-level failures

Mechanical

- 5VA flame-rated fiberglass housing with UV-stabilized finish for harsh environments
- Closed-cell polyurethane gasket with 95–99% compression recovery
- Clear or frosted impact-modified acrylic lens, IK08 rated for durability
- Marine-grade 316 stainless steel latches; captive and tamper-resistant capable
- Painted cold-rolled steel gear tray with secured stainless wire retention
- Fully sealed housing and lens interface ensures IP/NEMA washdown performance
- Conformal-coated LED boards & potted driver for moisture and chemical protection
- ½" NPT/M20 Stainless fittings on both ends for flexible wiring & daisy-chain layouts
- Compatible with surface or suspended mounting hardware
- Smooth exterior surfaces minimize debris accumulation and simplify cleaning

Listings

- UL Listed for wet locations
- NSF Certified for Food Zone Applications.
- IP67 and IK08 rated for washdown and sealed-enclosure performance
- NEMA 4X enclosure rating for corrosion and water protection
- IK08 impact resistance rating
- DLC 5.1 Premium qualified for energy rebates (select models)
- RoHS compliant, lead-free construction
- TAA-compliant manufacturing
- Meets UL 746 requirements for polymeric materials
- FCC Part 15 compliant for electromagnetic performance

Warranty:

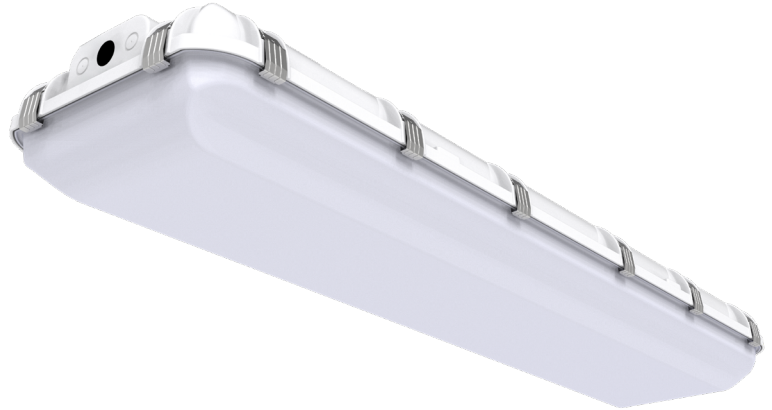
- 5-year limited warranty. Performance and durability validated under rigorous testing. Complete warranty terms available at: www.ESLVision.com/warranty.

Project: _____

Date: _____

Catalog #: _____

Notes: _____



Product Specifications:

Selectable Wattage: 160W–200W–240W
 Selectable Kelvin: 3500K–4000K–5000K
 Lumens: Up to 36,500
 Efficacy: Up to 150 lm/W
 Input Voltage: 120–277 VAC, 277–480 VAC
 Input Frequency: 50/60 Hz
 Operating Temperature: -40°F to 104°F (-40°C to 40°C)
 CRI: >80
 IP/IK Rating: IP67, IK08
 Warranty: 5 Years
 L70 Lifetime Calculated per TM21: 100,000 hrs
 Dimensions (LxWxH): 51.38" x 13.39" x 5.72"

Ordering Guide:

Example: **ESL-CB-VPH-4-160240W-13550**

ESL	SERIES	TYPE	SIZE	SELECTABLE WATTAGE	GENERATION	SELECTABLE KELVIN	VOLTAGE
ESL	CB <small>(CB) CleanBeam</small>	VPH <small>(VP) Vaportight Standard (VPH) Vaportight High Output</small>	4 <small>(4) 4 Ft</small>	160240W <small>(3060W) 30W-45W-60W (160240W) 160W-200W-240W</small>	1 <small>(1) 1st Gen</small>	3550 <small>(3550) 3500K-4000K-5000K</small>	 <small>(Blank) 120-277 VAC (HV) 277-480 VAC</small>

RECEPTACLES & HARD WIRED CORDS*	EMERGENCY BACKUP	SURGE
<p>(3W0DRM) 3 Wire Quick Disconnect Male Receptacle <i>See Quick Disconnect Table for Pin Configurations. If using this with EMG must be on 24/7 circuit.</i></p> <p>(4W0DRM) 4 Wire Quick Disconnect Male Receptacle for EMG Models that Require Switch Circuits <i>See Quick Disconnect Table for Pin Configurations. Used for EMG models that require a switched leg.</i></p> <p>(CS3W6WP) 16 Gauge, 3 Wire, 6 Feet, White Wire, Whip End <i>If using this with EMG must be on 24/7 circuit. Straight blade and twist lock plugs available. Contact factory.</i></p> <p>(CS3Y6WP) 16 Gauge, 3 Wire, 6 Feet, Yellow SE00W Wire, Whip End <i>If using this with EMG must be on 24/7 circuit. Straight blade and twist lock plugs available. Contact factory.</i></p> <p>(CS4W6WP) 16 Gauge, 4 Wire with 24/7 Line for EMG, 6 Feet, White Wire, Whip End <i>Used for EMG models that require a switched leg. Straight blade and twist lock plugs available. Contact factory.</i></p> <p>(CS4Y6WP) 16 Gauge, 4 Wire, 6 Feet, Yellow SE00W Wire, Whip End <i>Used for EMG models that require a switched leg. Straight blade and twist lock plugs available. Contact factory.</i></p>	<p>(Blank) None</p> <p>(EM15) Factory-installed 15-watt constant-power emergency driver with integrated LiFePO₄ battery pack, providing 90 minutes of reliable egress illumination</p> <p>(UL924) UL 924-listed dimmable control module that enables generator or inverter-supplied emergency lighting to maintain preset 0-10 V levels regardless of wall switch position. Incorporates patented Auto Preset Dimming (APD) technology for energy savings, precise load management, and seamless operation during emergency transfer</p>	<p>(Blank) Default 10kV</p> <p>(20KVSPD) 20kV for 120-277 VAC</p> <p>(20KVHVPD) 20kV for 277-480 VAC</p>

Options:

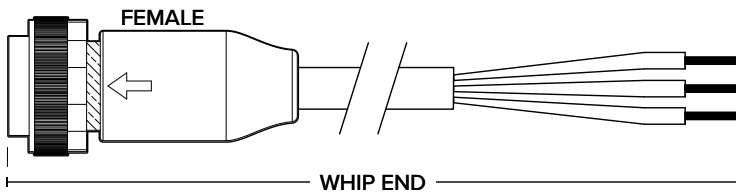
FIELD INSTALLED ACCESSORIES	
CS3W6WPQDF*	16 Gauge, 3 Wire, 6 Feet, White Wire, 3 Pin Quick Disconnect Female, Whip End
CS4W6ABQDF*	16 Gauge, 4 Wire, 6 Feet, White Wire, 4 Pin Quick Disconnect Female, Whip End
CS3W12WPQDF*	16 Gauge, 3 Wire, 12 Feet, White Wire, 3 Pin Quick Disconnect Female, Whip End
CS4W12ABQDF*	16 Gauge, 4 Wire, 12 Feet, White Wire, 4 Pin Quick Disconnect Female, Whip End
CS3Y6WPQDF*	16 Gauge, 3 Wire, 6 Feet, Yellow SE00W Wire, 3 Pin Quick Disconnect Female, Whip End
CS4Y6WPQDF*	16 Gauge, 4 Wire, 6 Feet, Yellow SE00W Wire, 4 Pin Quick Disconnect Female, Whip End
CS3Y12WPQDF*	16 Gauge, 3 Wire, 12 Feet, Yellow SE00W Wire, 3 Pin Quick Disconnect Female, Whip End
CS4Y12WPQDF*	16 Gauge, 4 Wire, 12 Feet, Yellow SE00W Wire, 4 Pin Quick Disconnect Female, Whip End

*Alternative Lengths Available, Contact Factory. Cordsets Ship Separately.

Quick Disconnect Pin Configurations:

FRONT VIEW OF RECEPTACLE	PINOUT CONFIGURATIONS			
	3-PIN		4-PIN	
CONNECTOR TYPE	FEMALE	MALE	FEMALE	MALE
WIRING COLOR CODE (US)	1. GREEN 2. WHITE 3. BLACK		1. GREEN 2. BLACK 3. RED 4. WHITE	

Quick Disconnect Cord:



Catalog Data:

ITEM#	DIMENSIONS (LxWxH)	SELECTABLE WATTAGE	SELECTABLE KELVIN	MAX LUMEN OUTPUT	EFFICACY (lm/W)
ESL-CB-VP4-3060W-13550	51.18" x 6.50" x 4.50"	30W-45W-60W	3500K-4000K-5000K	Up to 9,000	Up To 150
ESL-CB-VP4-160240W-13550	51.38" x 13.39" x 5.72"	160W-200W-240W		Up to 36,500	

Electrical Load – Standard Voltage:

SYSTEM WATTS	INPUT CURRENT				INPUT VOLTAGE	INPUT FREQUENCY	POWER FACTOR	THD	OPERATING TEMPERATURE	SURGE PROTECTION
	120 VAC	208 VAC	240 VAC	277 VAC						
30	0.25	0.14	0.13	0.11	120-277 VAC	50/60 Hz	>0.92	<20%	-40°F to 104°F (-40°C to 40°C)	6kV Integral, 10kV Stand-Alone
45	0.38	0.22	0.19	0.16						
60	0.50	0.29	0.25	0.22						
160	1.33	0.77	0.67	0.58	120-277 VAC	50/60 Hz	>0.92	<20%	-40°F to 104°F (-40°C to 40°C)	6kV Integral, 10kV Stand-Alone
200	1.67	0.96	0.83	0.72						
240	2.00	1.15	1.00	0.87						

Electrical Load – High Voltage:

SYSTEM WATTS	INPUT CURRENT		INPUT VOLTAGE	INPUT FREQUENCY	POWER FACTOR	THD	OPERATING TEMPERATURE	SURGE PROTECTION
	347 VAC	480 VAC						
30	0.09	0.06	277-480 VAC	50/60 Hz	>0.92	<20%	-40°F to 104°F (-40°C to 40°C)	6kV Integral, 10kV Stand-Alone
45	0.13	0.09						
60	0.17	0.13						
160	0.46	0.33	277-480 VAC	50/60 Hz	>0.92	<20%	-40°F to 104°F (-40°C to 40°C)	6kV Integral, 10kV Stand-Alone
200	0.58	0.42						
240	0.69	0.50						

Lumen Breakdown Table:

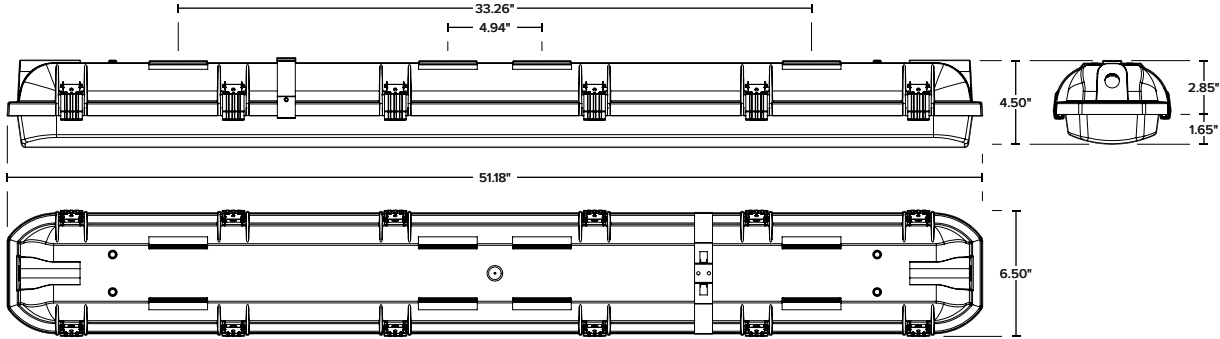
ITEM#	SELECTABLE WATTAGE	KELVIN					
		3500K		4000K		5000K	
		LUMEN OUTPUT	EFFICACY (lm/W)	LUMEN OUTPUT	EFFICACY (lm/W)	LUMEN OUTPUT	EFFICACY (lm/W)
ESL-CB-VP4-3060W-13550	30	4200	140	4650	155	4500	150
	45	6200	138	6975	155	6750	150
	60	8200	137	9300	155	9000	150
ESL-CB-VP4-160240W-13550	160	24300	152	26200	164	25300	158
	200	29800	149	32200	161	31000	155
	240	35000	146	37900	158	36500	152

Lumen Ambient Temperature (LAT) Multipliers:

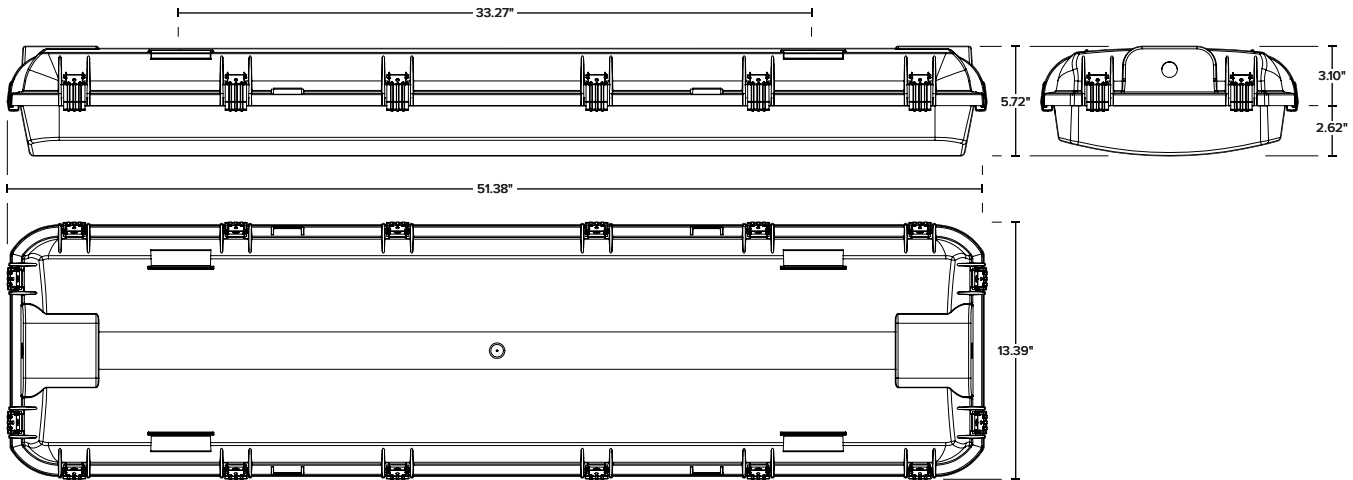
AMBIENT	LUMEN MULTIPLIER
0 °C / 32 °F	1.02
10 °C / 50 °F	1.01
20 °C / 68 °F	1.00
25 °C / 77 °F	1.00
30 °C / 86 °F	1.00
40 °C / 104 °F	0.99
50 °C / 122 °F	0.96

Dimensions:

ESL-CB-VP4-3060W-13550



ESL-CB-VPH-4-160240W-13550



Wide Body Surface Mount Dimensions:

