

### Key Features & Benefits:

- Selectable CCT and Wattage
- Strong Spring Clips Secure Fixture to Drywall, Ceiling Tiles, or Mounting Plate
- Wet Location Rated
- Energy Star Listed
- Cast Aluminum Housing and Trim

Project: \_\_\_\_\_

Date: \_\_\_\_\_

Catalog #: \_\_\_\_\_

Notes: \_\_\_\_\_

### Product Specifications:

Selectable Wattage:  
16W–22W–26W–30W–35W  
Selectable Kelvin:  
3000K–3500K–4000K–5000K–6500K  
Lumens:  
1,600–2,200–2,600–3,000–3,500  
Efficacy: Up to 100 lm/W  
CRI: 90+  
Input Voltage: 110–277 VAC  
Power Factor: >0.98  
Input Frequency: 50/60Hz Operating  
Temperature: -4°F to 104°F Operational  
Lifetime: 50,000 Hrs Dimming: 1–10V



### Dimensions:

Fixture (ØxH): Ø10.3"x 4.9"  
Flexible Metal Conduit (MC) Length: 17.75"



### Ordering Guide:

ESL	TYPE	SIZE	SELECTABLE WATTAGE	GENERATION	SELECTABLE KELVIN	OPTIONS
ESL	OPT (OPT) Optus Series	8 (8) Round 8"	1635W (1635W) 16W-22W-26W-30W-35W	3 (3) Generation	3065K (3065K) 3000K–3500K–4000K–5000K–6500K	

### FACTORY INSTALLED OPTIONS

EM8 Emergency backup battery unit, auto test function, 8-watt output, 90-minute minimum, 100–347 VAC input, 170 VDC output, closed frame with flex conduits, UL listed for factory or field install, Li-ion battery. (SL6)

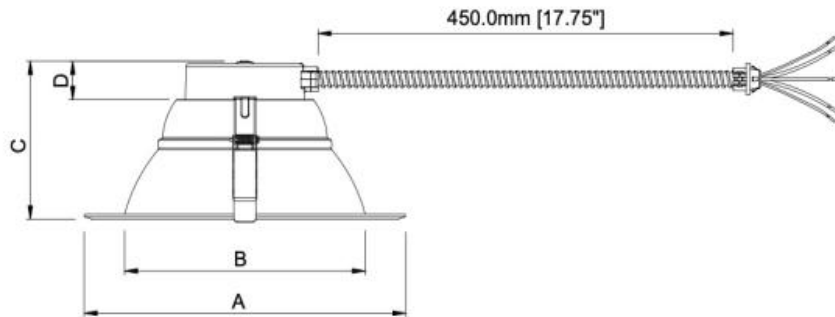
### FIELD INSTALLED ACCESSORIES

ESL-EMG-SL6-CSC-8W Emergency backup battery unit, auto test function, 8-watt output, 90-minute minimum, 100–347 VAC input, 170 VDC output, closed frame with flex conduits, UL listed for factory or field install, Li-ion battery.

**Catalog Data:**

ITEM#	SELECTABLE WATTAGE	SELECTABLE KELVIN	MAX LUMEN OUTPUT	MAX EFFICACY (lm/W)	INPUT VOLTAGE
4" ESL-OPT-4-0616W-33065K	6W-9W-12W-14W-16W	3000K-3500K-4000K-5000K-6500K	600-900-1,200 1,400-1,600	100	120-277 VAC
6" ESL-OPT-6-0520W-33065K	5W-9W-12W-16W-20W	3000K-3500K-4000K-5000K-6500K	500-900-1,200 1,600-2,000	100	120-277 VAC
8" ESL-OPT-8-1635W-33065K	16W-22W-26W-30W-35W	3000K-3500K-4000K-5000K-6500K	1,200-1,600-2,000 2,600-3,300	100	120-277 VAC
10" ESL-OPT-10-1840W-33065K	18W-23W-28W-35W-40W	3000K-3500K-4000K-5000K-6500K	1,600-2,200-2,600 3,300-3,500	100	120-277 VAC

**Dimensions:**



SIZE	ESL-OPT-4-0616W-33065K	ESL-OPT-6-0520W-33065K	ESL-OPT-8-1635W-33065K	10-INESL-OPT-10-1840W-33065K
DIMENSIONS	ø5.95\"A x 3.63\"C	ø8.31\"A x 4.38\"C	ø10.3\"A x 4.9\"C	ø11.55\"A x 5.5\"C
CUTOUT	ø4.0\" ~ 5.0\"	ø6.2\" ~ 7.3\"	ø8.0\" ~ 9.2\"	ø9.0\" ~ 10.3\"

### Rough-In Plate Dimensions:

