

Key Features & Benefits:

- Kelvin and Wattage Selectable
- Mounting Plate for Easy Surface Mount Installation
- Available in White or Bronze

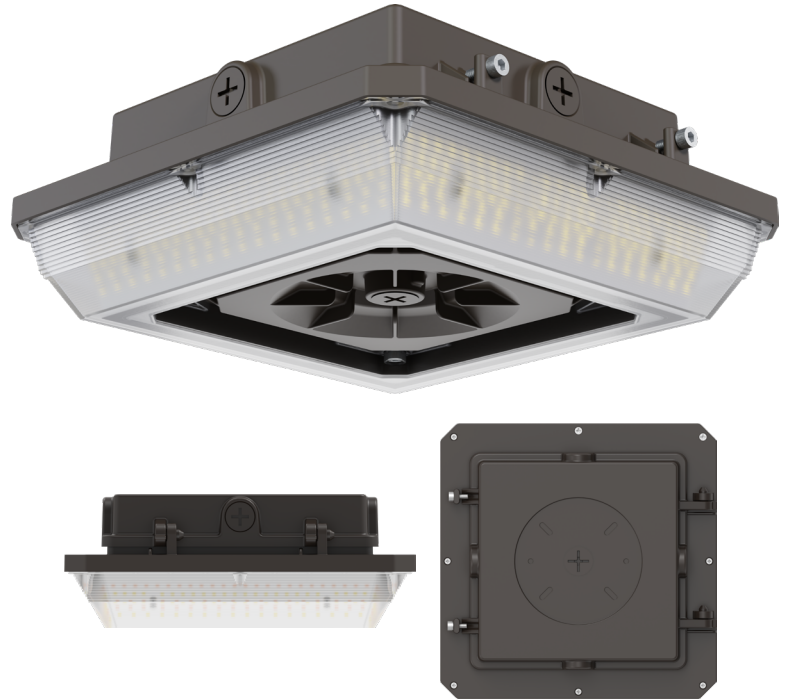
Project: _____ Date: _____

Catalog #: _____

Notes: _____

Product Specifications:

Adjustable Wattage: 30W–45W–60W
 Lumen Output: Up to 9,000 Lumens
 Efficacy (lm/W): Up to 150 Lumens
 Kelvin Adjustable: 3000K–4000K–5000K
 Input Voltage: 120–277 VAC
 Total Harmonic Distortion (THD): <20%
 Beam Angle: 190°
 Operating Temperature: -40°F to 113°F (-40°C to 45°C)
 Estimate L70 Lifetime 170,000 hrs Calculated Per TM21
 Dimming: 0–10V Dim to Off
 Power Factor: >0.9
 Surge Protection: 2.5kV
 CRI: >80
 Dimensions: 9.57" x 9.57" x 3.62"
 Weight (lbs): 4.4
 Default Settings: 60W, 4000K



Ordering Guide:

ESL	-	TYPE	-	WATTAGE	-	GENERATION	-	KELVIN	-	FINISH	-	OPTIONS
ESL	-	CP	-	3060W	-	5	-	3050	-	BZ	-	
		(CP) Square Canopy		(3060W) 30W–45W–60W (6090W) 60W–75W–90W		(5) 5th Generation		(3050) 3000K–4000K–5000K		(BZ) Bronze (WH) White		

FACTORY INSTALLED OPTIONS

EMG Emergency Backup Battery Unit, Auto Test Function, 8 Watts Output, 90 Minutes Min, 120–277 VAC Input, 30–200 VDC Output, Closed Lead Wiring, UL Listed for Factory Installation

FIELD INSTALLED ACCESSORIES

ESL-ISS-MSEN-04-3P MultiSense™ – Plug and Play 3 Wire Networked, Outdoor PIR Occupancy and Daylight Harvesting Sensor

ESL-OCCP-LV-01 PIR Occupancy

ESL-REM100 Microwave Occupancy Sensor Remote



Catalog Data:

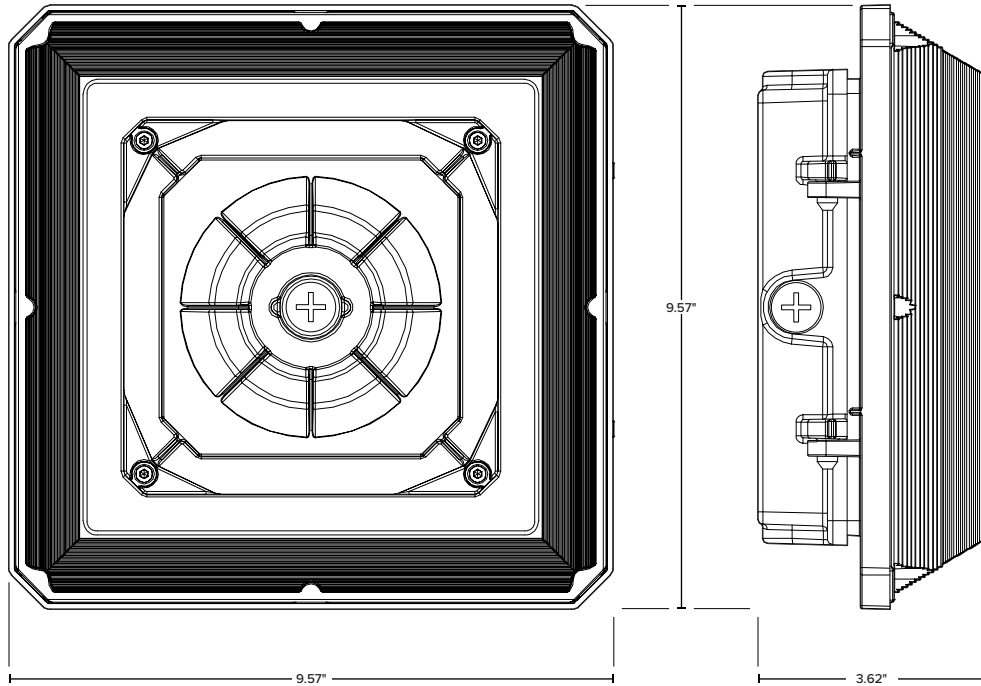
ITEM#	SELECTABLE WATTAGE	SELECTABLE KELVIN	MAX LUMEN OUTPUT	EFFICACY (lm/W)	DIMENSIONS	DLC QPL CODE
ESL-CP-3060W-53050-BZ	30W-45W-60W	3000K-4000K-5000K	9,000	150	9.57" x 9.57" x 3.62"	S-ZSQ7G8
ESL-CP-3060W-53050-WH						
ESL-CP-6090W-53050-BZ	60W-75W-90W		13,050	145	9.57" x 9.57" x 3.62"	S-4L66C5
ESL-CP-6090W-53050-WH						

Electrical Load – Standard Voltage:

SYSTEM WATTS	INPUT CURRENT				INPUT WATTAGE	INPUT FREQUENCY	POWER FACTOR	THD	OPERATING TEMPERATURE	SURGE PROTECTION	DIMMING
	120 VAC	208 VAC	240 VAC	277 VAC							
30	0.25	0.14	0.13	0.11	120-277 VAC	50/60 Hz	>0.9	<20%	-40°F to 113°F (-40°C to 45°C)	2.5kV Driver	0-10V Dim to Off
45	0.38	0.22	0.19	0.16	120-277 VAC	50/60 Hz	>0.9	<20%	-40°F to 113°F (-40°C to 45°C)	2.5kV Driver	0-10V Dim to Off
60	0.50	0.29	0.25	0.22	120-277 VAC	50/60 Hz	>0.9	<20%	-40°F to 113°F (-40°C to 45°C)	2.5kV Driver	0-10V Dim to Off
75	0.63	0.36	0.31	0.27	120-277 VAC	50/60 Hz	>0.9	<20%	-40°F to 113°F (-40°C to 45°C)	2.5kV Driver	0-10V Dim to Off
90	0.75	0.43	0.38	0.32	120-277 VAC	50/60 Hz	>0.9	<20%	-40°F to 113°F (-40°C to 45°C)	2.5kV Driver	0-10V Dim to Off

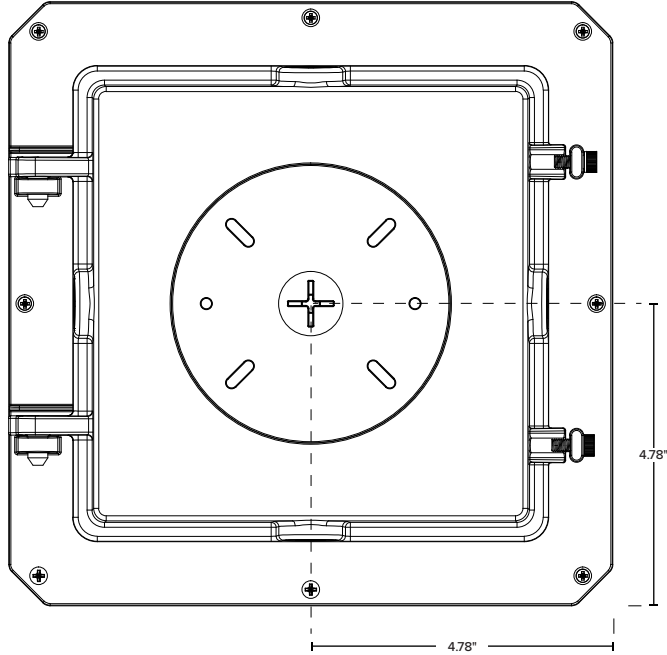
Dimensions:

ESL-CP-3060W-53050-XX & ESL-CP-6090W-53050-XX



Mounting Dimensions:

ESL-CP-3060W-53050-XX & ESL-CP-6090W-53050-XX

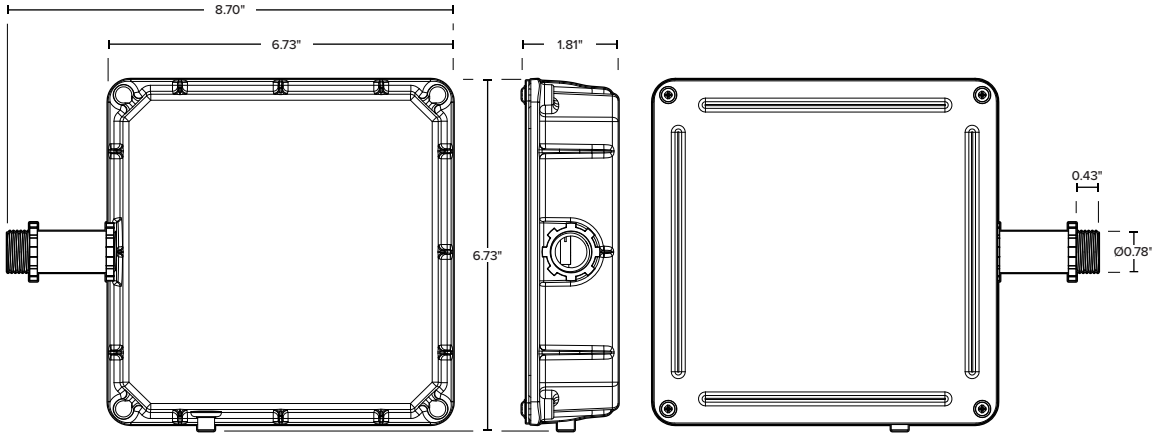


Lumen Ambient Temperature (LAT) Multipliers:

AMBIENT		LUMEN MULTIPLIER
0 °C	32 °F	1.02
10 °C	50 °F	1.01
20 °C	68 °F	1.00
25 °C	77 °F	1.00
30 °C	86 °F	1.00
40 °C	104 °F	0.99
50 °C	122 °F	0.96

EMG Sidecar Dimensions:

ESL-CP-EMG-HOUSING



ESL-CP-3060W-53050-XX & ESL-CP-6090W-53050-XX with EMG Sidecar

