

Product Features:

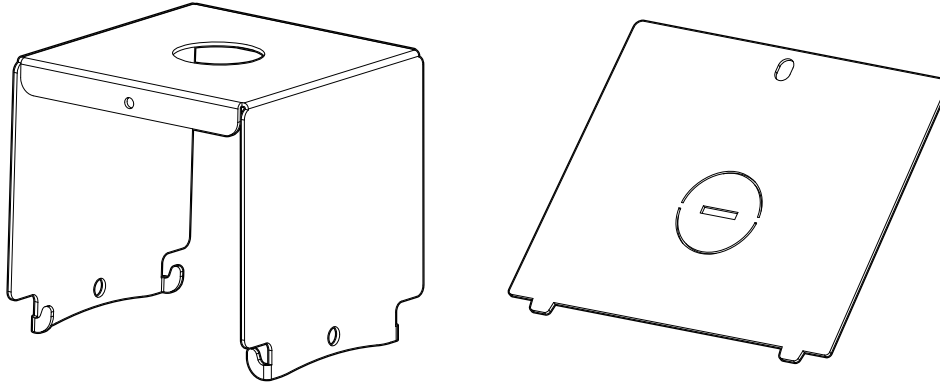
- Secure Pendant Mount Kit

Project: _____

Date: _____

Catalog #: _____

Notes: _____

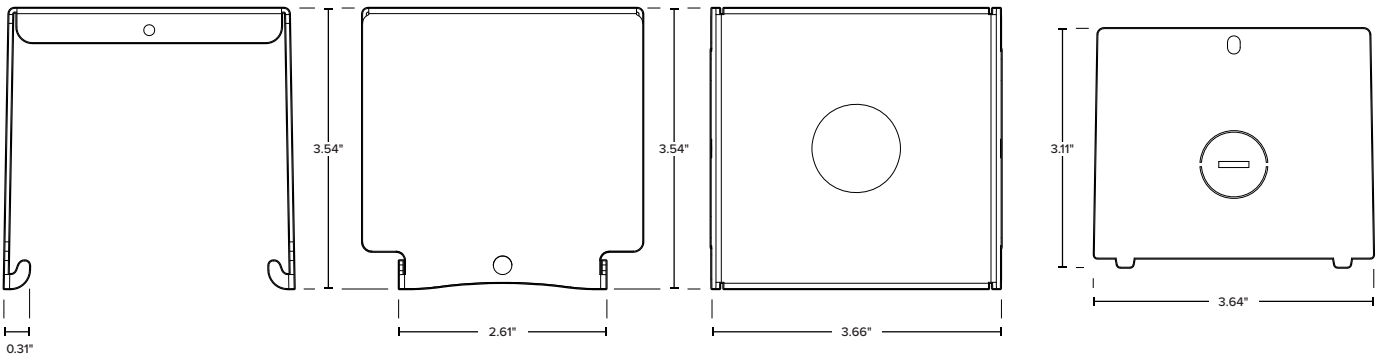


Ordering Guide:

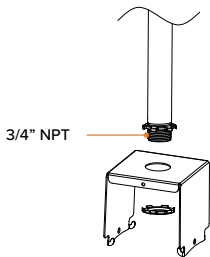
ESL	-	TYPE	-	GENERATION	-	MOUNT
ESL	-	LHB	-	5	-	PM
		(LHB) Linear High Bay		(5) 5th Gen		(PM) Pendant Mount

Dimensions:

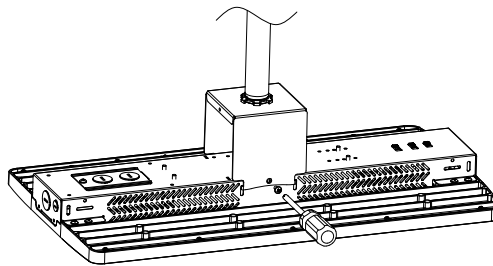
LHB5 Pendant Mount



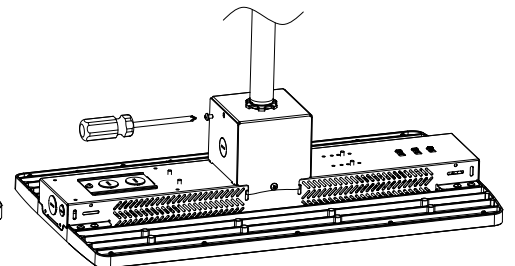
Pendant Mount



1 Mount the bracket to the 3/4" NPT (Conduit is not included, mounting bracket sold separately).



2 Lift the fixture to the bracket and secure the fixture. Connect the wires through the opening of the bracket.



3 After wiring is secured within bracket mount, secure the side brackets onto the front and back of main bracket.