

Key Features & Benefits:

- Wattage and Kelvin Selectable
- Rotatable Optics
- NEMA Receptacle and Shorting Cap
- Rugged Anodized Aluminum Housing
- Multiple Stocked Finish Options (White, Bronze, Black, Grey)
- Tool-less Entry to Easily Access Fixture Components
- Innovative Mounting Hardware Allows for Single Person Installation

Project: _____

Date: _____

Catalog #: _____

Notes: _____



Product Specifications:

Selectable Wattage: 200W–240W–280W–320W
 Selectable Kelvin: 3000K–4000K–5000K
 Max Lumen Output: 49,280 Lumens
 Max Efficacy: 171 lm/W
 Voltage: 120–277 VAC
 Input Frequency: 50/60 Hz
 Surge Protection: 10kV
 Power Factor: >0.92
 THD: 80
 Lens Type: T3
 Cord Length: 6”
 Dimensions: L19.61” x W13.23” x H2.83”
 Weight (lbs): 12.35
 Finish: BZ (Bronze)
 L70 Lifetime Calculated per TM21: 120,000 hours
 Warranty: 10 Year



Ordering Guide:

ESL	TYPE	SELECTABLE WATTAGE	GEN	SELECTABLE KELVIN	VOLTAGE	FINISH	MOUNT
ESL	AL	200320W	1	3050		BZ	SF
	(AL) Area Light	(75150W) 75W–90W–120W–150W (200320W) 200W–240W–280W–320W	(1) 1st Gen	(3050) 3000K–4000K–5000K	(BLANK) 120–277 VAC (HV) 200–528 VAC	(BZ) Bronze (WH) White (BK) Black (GR) Grey	(NM) No Mount (AM) All Mounts ¹ - ¹ available for Bronze (BZ) only (SF) Slip Fitter (UDM) Universal Direct

FACTORY INSTALLED OPTIONS

PC	On/Off photocell (120–277 VAC)
PCHV	On/Off photocell (347–538 VAC)

FIELD INSTALLED ACCESSORIES

ESL-AL3-XXSF	Slip Fitter Mount / XX=(BZ) Bronze, (WH) White, (GR) Grey, (BK) Black*
ESL-AL3-XXUDM	Universal Direct Mount; Knuckle Mount with Flat, 4" Round and 5" Round Adapters / XX=(BZ) Bronze, (WH) White, (GR) Grey, (BK) Black*
ESL-AL3-XXYM	Yoke Mount / XX=(BZ) Bronze, (WH) White, (GR) Grey, (BK) Black*
ESL-AL3-XXFUDM	Fixed Universal Direct Mount; Non-Articulating Mount with Flat, 4" Round and 5" Round Adapters / XX=(BZ) Bronze, (WH) White, (GR) Grey, (BK) Black*
ESL-OCCP-LV-01	Stand Alone PIR Occupancy Sensor, 12–24 VDC, Uses REM-100 for Programming, Wet Rated, White Finish, Field Installable
ESL-BBG2001-5	Bird Spike, 2 Foot Section, 5" Width
ESL-AL3-HSS-S-XX	House Side Shield for 75150W / XX=(BZ) Bronze, (WH) White, (GR) Grey, (BK) Black
ESL-AL3-HSS-L-XX	House Side Shield for 200320W / XX=(BZ) Bronze, (WH) White, (GR) Grey, (BK) Black

What's in the Box:



(AM) All Mounts
 Universal Direct Mount
 Slip Fitter Mount
 Yoke Mount
 Shorting Cap



(NM) No Mount
 Shorting Cap



(UDM)
 Universal Direct Mount
 Shorting Cap



(SF)
 Slip Fitter
 Shorting Cap



(YM)
 Yoke Mount
 Shorting Cap



(FUDM)
 Fixed Universal
 Direct Mount
 Shorting Cap

Finishes:



(BZ) Bronze
 R36301



(WH) White
 RAL9016



(BK) Black
 B2639



(GR) Grey
 RAL9006

Lumen Ambient Temperature (LAT) Multipliers:

AMBIENT		LUMEN MULTIPLIER
0 °C	32 °F	1.02
10 °C	50 °F	1.01
20 °C	68 °F	1.00
25 °C	77 °F	1.00
30 °C	86 °F	1.00
40 °C	104 °F	0.99
50 °C	122 °F	0.96

Catalog Data:

ITEM#	SELECTABLE WATTAGE	SELECTABLE KELVIN						FINISH (ff)	MOUNT* (mm)	LENS (II)	DLC QPL (BY LENS)*
		3000K*		4000K*		5000K*					
		LUMEN OUTPUT	EFFICACY (lm/W)	LUMEN OUTPUT	EFFICACY (lm/W)	LUMEN OUTPUT	EFFICACY (lm/W)				
ESL-AL-75150W-13050-XXXX-II ESL-AL-75150W-HV-13050-XXXX-II	75W	11,625	155	12,825	171	12,225	163	(BZ) Bronze (WH) White (BK) Black (GR) Grey	(NM) No Mount (AM) All Mounts ¹ (SF) Slip Fitter (UDM) Universal Direct Mount (YM) Yoke Mount (FUDM) Fixed Universal Direct Mount	(T2) (T3) (T3) ¹ (T4) (T4) (T5)	(T2) S-WJC69M (T3) S-1QD5OE (T4) S-T2ML43 (T5) S-YOKLIR
	90W	13,500	150	14,850	165	14,220	158				
	120W	17,400	145	19,200	160	18,240	152				
	150W	21,000	140	23,100	154	22,050	147				
ESL-AL-200320W-13050-XXXX-II ESL-AL-200320W-HV-13050-XXXX-II	200W	31,000	155	34,200	171	32,600	163	(BZ) Bronze (WH) White (BK) Black (GR) Grey	(NM) No Mount (AM) All Mounts ¹ (SF) Slip Fitter (UDM) Universal Direct Mount (YM) Yoke Mount (FUDM) Fixed Universal Direct Mount	(T2) (T3) (T3) ¹ (T4) (T5)	(T2) S-IG70Z8 (T3) S-FPBD62 (T4) S-9UX4BM (T5) S-CMWDON
	240W	36,000	150	39,600	165	37,920	158				
	280W	40,600	145	44,800	160	42,560	152				
	320W	44,800	140	49,280	154	47,040	147				

* Only fixtures using the Fixed Universal Direct Mount (FUDM) and a setting of 3000K are DarkSky approved.

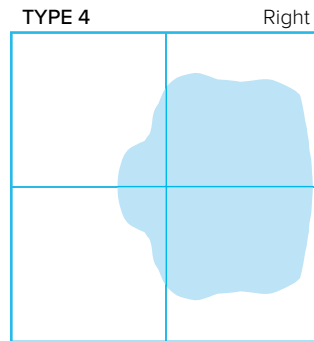
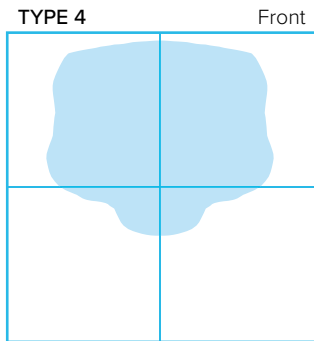
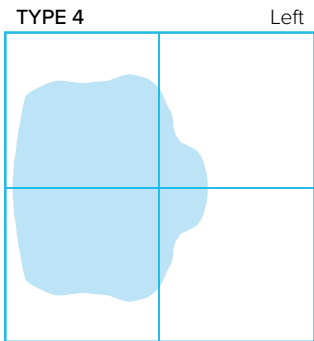
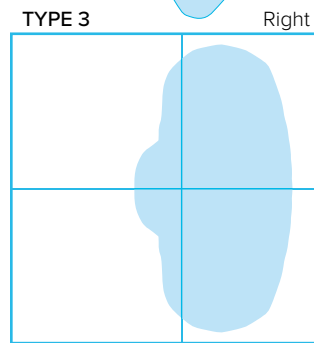
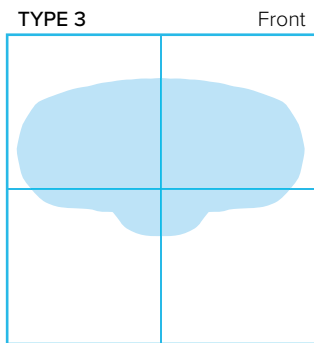
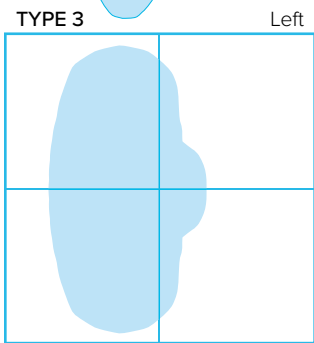
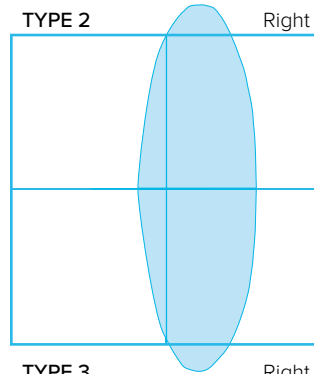
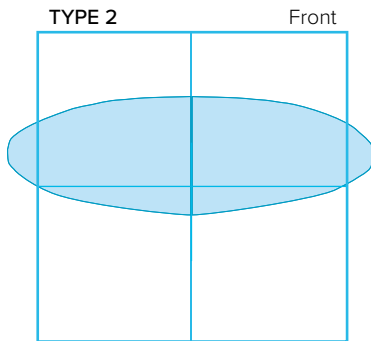
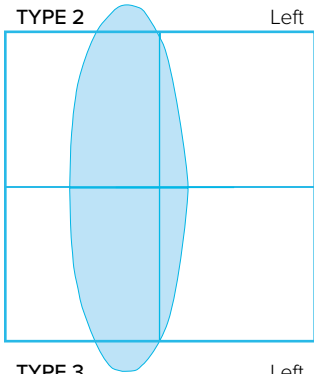
Electrical Load — Standard Voltage:

SYSTEM WATTS	INPUT CURRENT				INPUT WATTAGE	INPUT FREQUENCY	POWER FACTOR	THD	OPERATING TEMPERATURE	SURGE PROTECTION	DIMMING
	120 VAC	208 VAC	240 VAC	277 VAC							
75	0.63	0.36	0.31	0.27	120–277 VAC	50/60 Hz	>0.97 @120 VAC >0.92 @277 VAC	<13%	-40°F to 122°F (-40°C to 50°C)	4kV L/N 6kV L/N/G 10kV–Serviceable	0–10V
90	0.75	0.43	0.38	0.32							
120	1.00	0.58	0.50	0.43							
150	1.25	0.72	0.63	0.54							
200	1.67	0.96	0.83	0.72							
240	2.00	1.15	1.00	0.87							
280	2.33	1.35	1.17	1.01							
320	2.67	1.54	1.33	1.16							

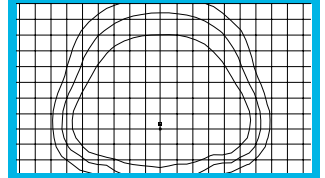
Electrical Load — High Voltage:

SYSTEM WATTS	INPUT CURRENT			INPUT WATTAGE	INPUT FREQUENCY	POWER FACTOR	THD	OPERATING TEMPERATURE	SURGE PROTECTION	DIMMING
	277 VAC	347 VAC	480 VAC							
75	0.27	0.22	0.16	200–528 VAC	50/60 Hz	>0.95 @277 VAC >0.90 @480 VAC	<13%	-40°F to 122°F (-40°C to 50°C)	4kV L/N 6kV L/N/G 10kV–Serviceable	0–10V
90	0.32	0.26	0.19							
120	0.43	0.35	0.25							
150	0.54	0.43	0.31							
200	0.72	0.58	0.42							
240	0.87	0.69	0.50							
280	1.01	0.81	0.58							
320	1.16	1.01	0.73							

Optics Distribution Options:

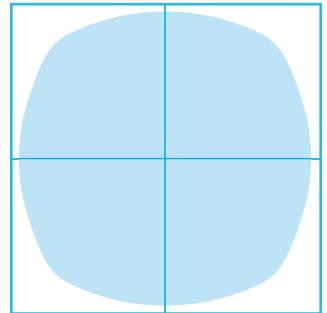


FREE LIGHTING LAYOUT DESIGN



ESL Vision's lighting design engineers can help create custom lighting layouts for you — FREE OF CHARGE!

TYPE 5

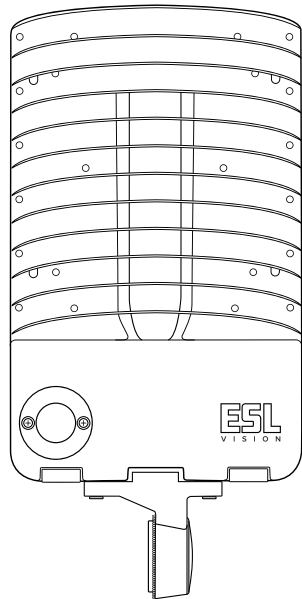
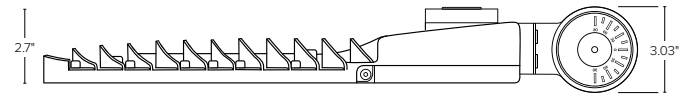
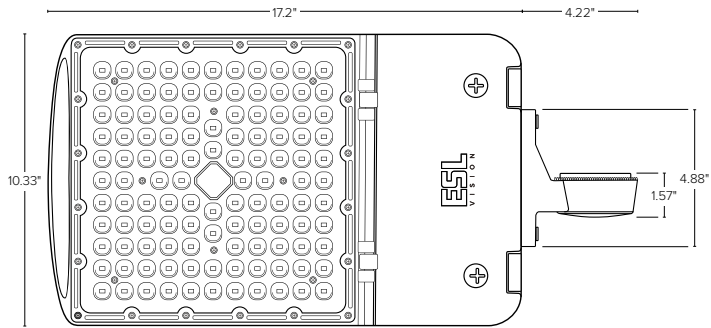


EPA Ratings:

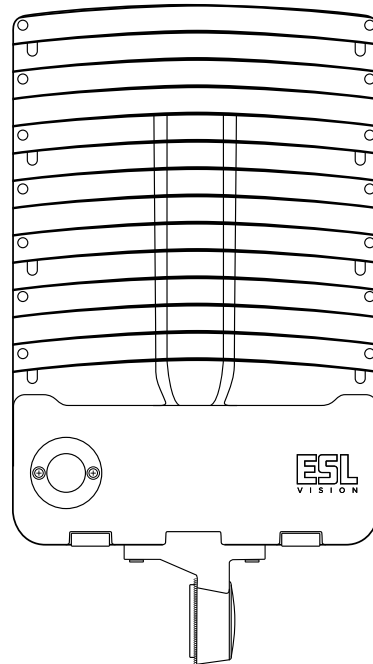
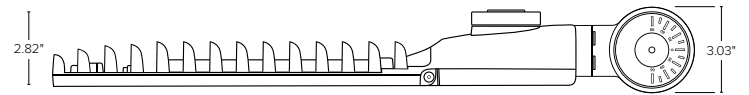
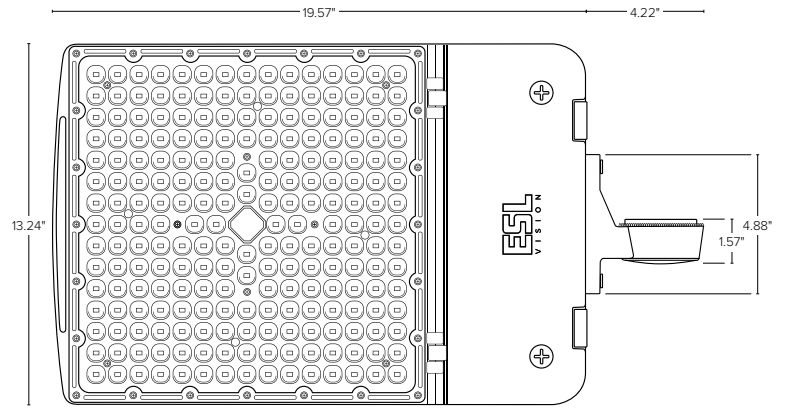
TILT	SINGLE FIXTURE	TWO FIXTURES @ 90°	TWO FIXTURES @ 180°	THREE FIXTURES @ 90°	THREE FIXTURES AT 120°	FOUR FIXTURES @ 90°
75W / 90W / 120W / 150W						
0°	0.15	0.30	0.34	0.46	0.43	0.67
10°	0.18	0.38	0.43	0.77	0.66	1.45
30°	0.57	1.23	1.44	1.84	1.75	2.55
60°	1.04	1.97	2.13	2.65	2.47	4.34
90°	1.21	2.24	2.35	3.49	3.38	4.86
200W / 240W / 280W / 320W						
0°	0.19	0.48	0.52	1.47	1.32	1.74
10°	0.97	0.87	1.34	2.36	2.16	2.36
30°	1.00	1.92	2.23	3.43	3.25	5.67
60°	1.61	3.41	3.86	5.72	5.53	7.74
90°	1.80	3.75	4.13	6.58	6.53	10.38

Dimensions:

75150W

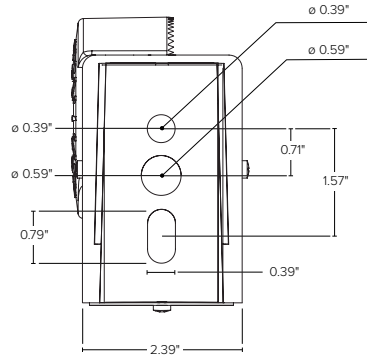


200320W

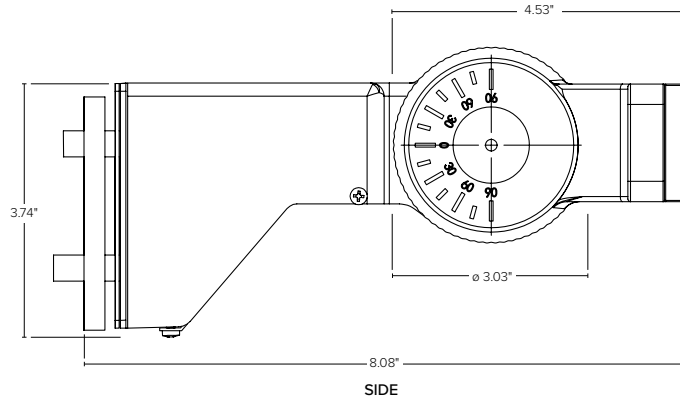


Mount Dimensions:

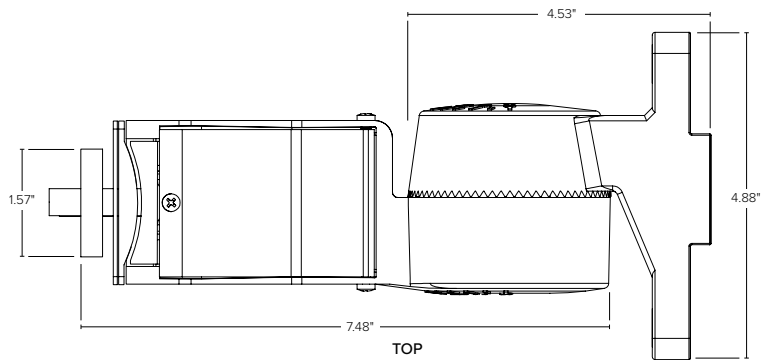
UNIVERSAL DIRECT MOUNT



BACK
(Drilling Info)

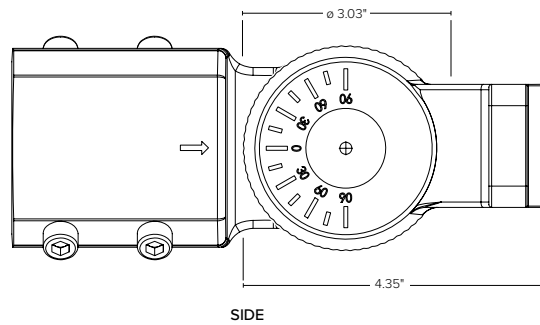


SIDE

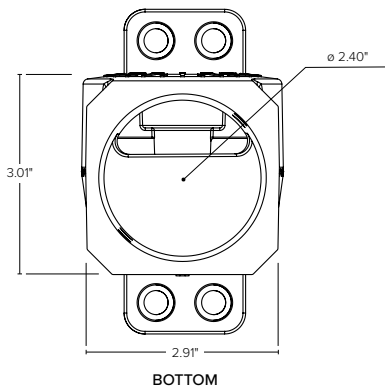


TOP

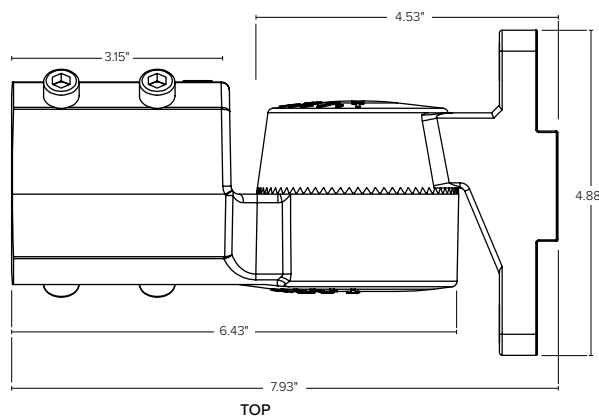
SLIP FITTER



SIDE



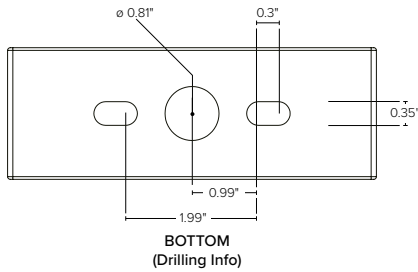
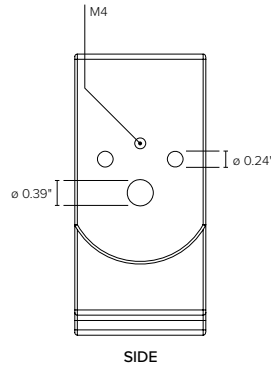
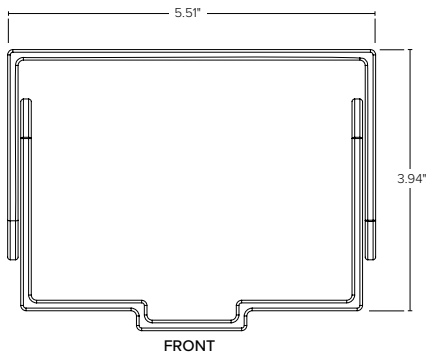
BOTTOM



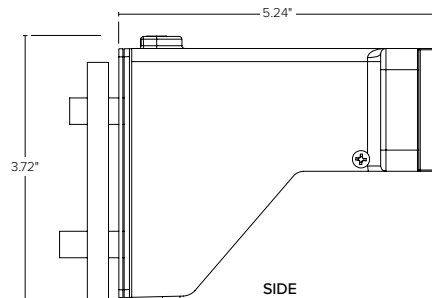
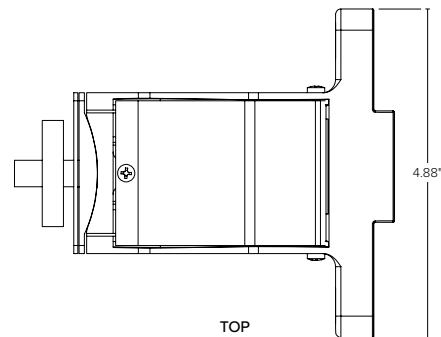
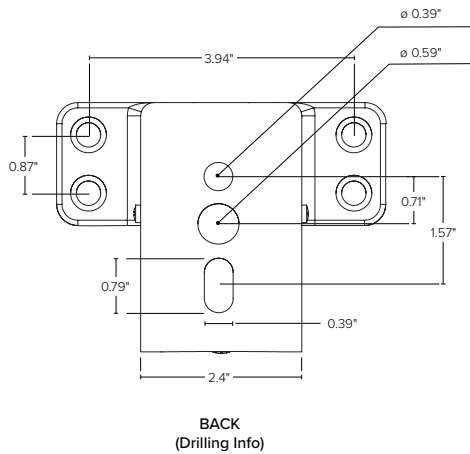
TOP

Mount Dimensions:

YOKE MOUNT

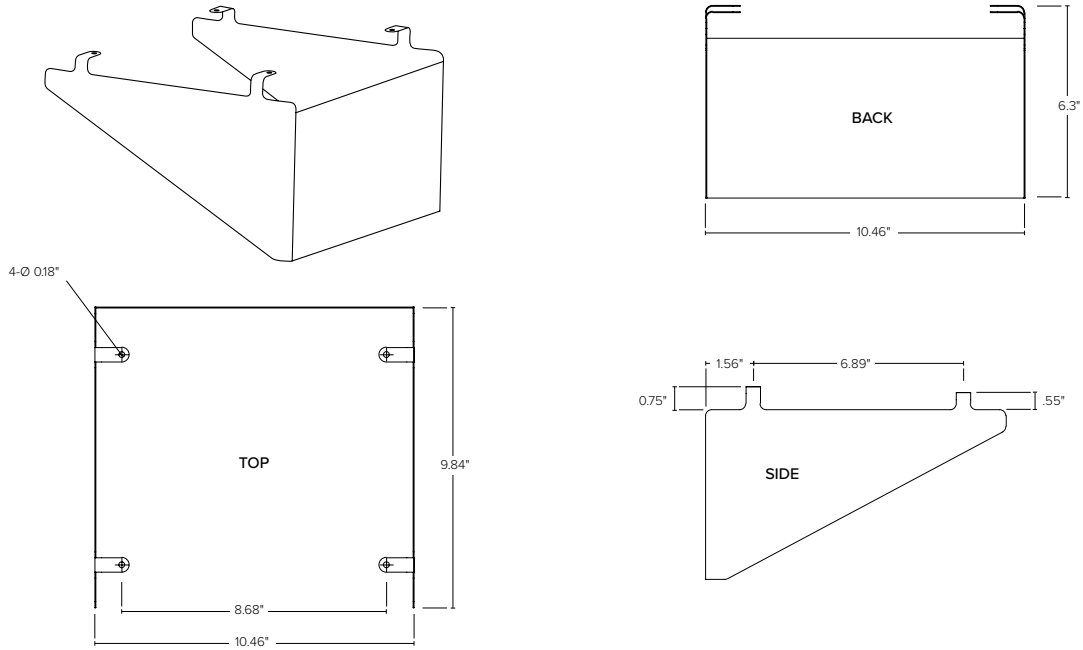


FIXED UNIVERSAL DIRECT MOUNT

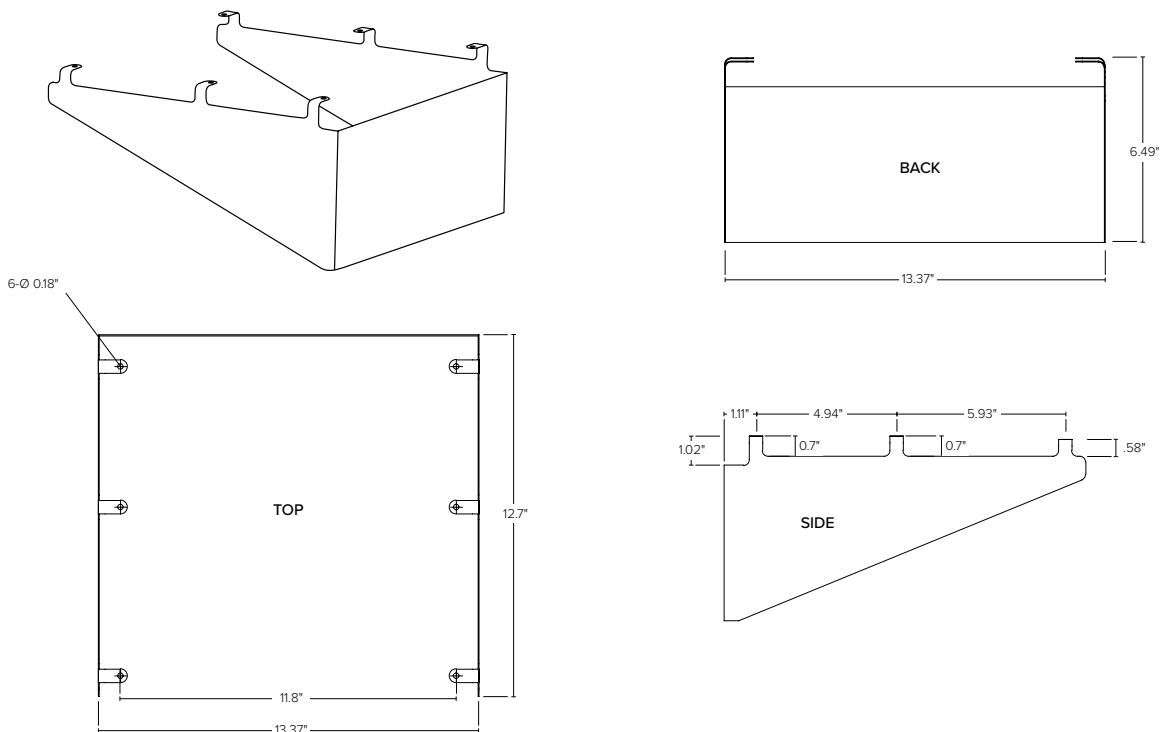


House Side Shield Dimensions:

SMALL HOUSE SIDE SHIELD



LARGE HOUSE SIDE SHIELD



Ordering Short Codes for 75150W Fixtures:

Part #	Short Code	Wattage	Voltage	No Mount	Slip Fitter	Universal Direct Mount	Yoke Mount	Fixed Universal Direct Mount	Optics	Finish
ESL-AL-75150W-13050-BZNM-T3	AL101	150W	120-277V	x					T3	Bronze
ESL-AL-75150W-13050-BZAM-T3	AL102	150W	120-277V		x	x	x		T3	Bronze
ESL-AL-75150W-13050-BZSF-T3	AL103	150W	120-277V		x				T3	Bronze
ESL-AL-75150W-13050-BZUDM-T3	AL104	150W	120-277V			x			T3	Bronze
ESL-AL-75150W-13050-BZYM-T3	AL105	150W	120-277V				x		T3	Bronze
ESL-AL-75150W-13050-BZFUDM-T3	AL106	150W	120-277V					x	T3	Bronze
ESL-AL-75150W-13050-HV-BZNM-T3	AL113	150W	200-528V	x					T3	Bronze
ESL-AL-75150W-13050-HV-BZAM-T3	AL114	150W	200-528V		x	x	x		T3	Bronze
ESL-AL-75150W-13050-HV-BZSF-T3	AL115	150W	200-528V		x				T3	Bronze
ESL-AL-75150W-13050-HV-BZUDM-T3	AL116	150W	200-528V			x			T3	Bronze
ESL-AL-75150W-13050-HV-BZYM-T3	AL117	150W	200-528V				x		T3	Bronze
ESL-AL-75150W-13050-HV-BZFUDM-T3	AL118	150W	200-528V					x	T3	Bronze
ESL-AL-75150W-13050-WHSF-T3	AL150	150W	120-277V		x				T3	White
ESL-AL-75150W-13050-WHUDM-T3	AL152	150W	120-277V			x			T3	White
ESL-AL-75150W-13050-WHYM-T3	AL151	150W	120-277V				x		T3	White
ESL-AL-75150W-13050-WHFUDM-T3	AL153	150W	120-277V					x	T3	White
ESL-AL-75150W-13050-HV-WHSF-T3	AL154	150W	200-528V		x				T3	White
ESL-AL-75150W-13050-HV-WHUDM-T3	AL156	150W	200-528V			x			T3	White
ESL-AL-75150W-13050-HV-WHYM-T3	AL155	150W	200-528V				x		T3	White
ESL-AL-75150W-13050-HV-WHFUDM-T3	AL157	150W	200-528V					x	T3	White
ESL-AL-75150W-13050-GRSF-T3	AL166	150W	120-277V		x				T3	Grey
ESL-AL-75150W-13050-GRUDM-T3	AL197	150W	120-277V			x			T3	Grey
ESL-AL-75150W-13050-GRYM-T3	AL167	150W	120-277V				x		T3	Grey
ESL-AL-75150W-13050-GRFUDM-T3	AL168	150W	120-277V					x	T3	Grey
ESL-AL-75150W-13050-HV-GRSF-T3	AL169	150W	200-528V		x				T3	Grey
ESL-AL-75150W-13050-HV-GRUDM-T3	AL171	150W	200-528V			x			T3	Grey
ESL-AL-75150W-13050-HV-GRYM-T3	AL170	150W	200-528V				x		T3	Grey
ESL-AL-75150W-13050-HV-GRFUDM-T3	AL172	150W	200-528V					x	T3	Grey
ESL-AL-75150W-13050-BKSF-T3	AL181	150W	120-277V		x				T3	Black
ESL-AL-75150W-13050-BKUDM-T3	AL183	150W	120-277V			x			T3	Black
ESL-AL-75150W-13050-BKYM-T3	AL182	150W	200-528V				x		T3	Black
ESL-AL-75150W-13050-BKFUDM-T3	AL184	150W	120-277V					x	T3	Black
ESL-AL-75150W-13050-HV-BKSF-T3	AL185	150W	200-528V		x				T3	Black
ESL-AL-75150W-13050-HV-BKUDM-T3	AL187	150W	200-528V			x			T3	Black
ESL-AL-75150W-13050-HV-BKYM-T3	AL186	150W	200-528V				x		T3	Black
ESL-AL-75150W-13050-HV-BKFUDM-T3	AL188	150W	200-528V					x	T3	Black

Ordering Short Codes for 200320W Fixtures:

Part #	Short Code	Wattage	Voltage	No Mount	Slip Fitter	Universal Direct Mount	Yoke Mount	Fixed Universal Direct Mount	Optics	Finish
ESL-AL-200320W-13050-BZNM-T3	AL126	320W	120-277V	x					T3	Bronze
ESL-AL-200320W-13050-BZAM-T3	AL127	320W	120-277V		x	x	x		T3	Bronze
ESL-AL-200320W-13050-BZSF-T3	AL128	320W	120-277V		x				T3	Bronze
ESL-AL-200320W-13050-BZUDM-T3	AL129	320W	120-277V			x			T3	Bronze
ESL-AL-200320W-13050-BZYM-T3	AL130	320W	120-277V				x		T3	Bronze
ESL-AL-200320W-13050-BZFUDM-T3	AL131	320W	120-277V					x	T3	Bronze
ESL-AL-200320W-13050-HV-BZNM-T3	AL138	320W	200-528V	x					T3	Bronze
ESL-AL-200320W-13050-HV-BZAM-T3	AL139	320W	200-528V		x	x	x		T3	Bronze
ESL-AL-200320W-13050-HV-BZSF-T3	AL140	320W	200-528V		x				T3	Bronze
ESL-AL-200320W-13050-HV-BZUDM-T3	AL141	320W	200-528V			x			T3	Bronze
ESL-AL-200320W-13050-HV-BZYM-T3	AL142	320W	200-528V				x		T3	Bronze
ESL-AL-200320W-13050-HV-BZFUDM-T3	AL143	320W	200-528V					x	T3	Bronze
ESL-AL-200320W-13050-WHSF-T3	AL158	320W	120-277V		x				T3	White
ESL-AL-200320W-13050-WHUDM-T3	AL160	320W	120-277V			x			T3	White
ESL-AL-200320W-13050-WHYM-T3	AL159	320W	120-277V				x		T3	White
ESL-AL-200320W-13050-WHFUDM-T3	AL161	320W	120-277V					x	T3	White
ESL-AL-200320W-13050-HV-WHSF-T3	AL162	320W	200-528V		x				T3	White
ESL-AL-200320W-13050-HV-WHUDM-T3	AL164	320W	200-528V			x			T3	White
ESL-AL-200320W-13050-HV-WHYM-T3	AL163	320W	200-528V				x		T3	White
ESL-AL-200320W-13050-HV-WHFUDM-T3	AL165	320W	200-528V					x	T3	White
ESL-AL-200320W-13050-GRSF-T3	AL173	320W	120-277V		x				T3	Grey
ESL-AL-200320W-13050-GRUDM-T3	AL175	320W	120-277V			x			T3	Grey
ESL-AL-200320W-13050-GRYM-T3	AL174	320W	120-277V				x		T3	Grey
ESL-AL-200320W-13050-GRFUDM-T3	AL176	320W	120-277V					x	T3	Grey
ESL-AL-200320W-13050-HV-GRSF-T3	AL177	320W	200-528V		x				T3	Grey
ESL-AL-200320W-13050-HV-GRUDM-T3	AL179	320W	200-528V			x			T3	Grey
ESL-AL-200320W-13050-HV-GRYM-T3	AL178	320W	200-528V				x		T3	Grey
ESL-AL-200320W-13050-HV-GRFUDM-T3	AL180	320W	200-528V					x	T3	Grey
ESL-AL-200320W-13050-BKSF-T3	AL189	320W	120-277V		x				T3	Black
ESL-AL-200320W-13050-BKUDM-T3	AL191	320W	120-277V			x			T3	Black
ESL-AL-200320W-13050-BKYM-T3	AL190	320W	120-277V				x		T3	Black
ESL-AL-200320W-13050-BKFUDM-T3	AL192	320W	120-277V					x	T3	Black
ESL-AL-200320W-13050-HV-BKSF-T3	AL193	320W	200-528V		x				T3	Black
ESL-AL-200320W-13050-HV-BKUDM-T3	AL195	320W	200-528V			x			T3	Black
ESL-AL-200320W-13050-HV-BKYM-T3	AL194	320W	200-528V				x		T3	Black
ESL-AL-200320W-13050-HV-BKFUDM-T3	AL196	320W	200-528V					x	T3	Black