

Basic Product Information (E&O)

Created on April 28, 2026

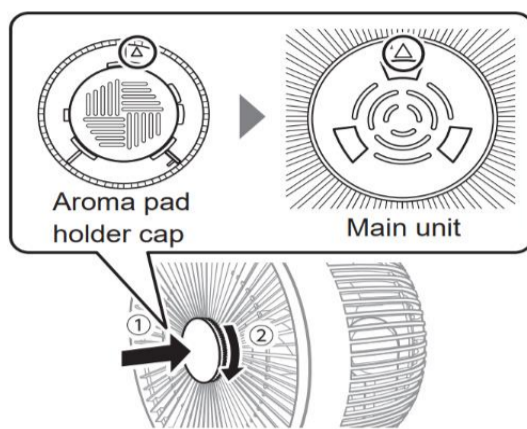
Product Name (series)	2026SS 360-degree oscillating Circulator fan L
-----------------------	--

Applicable Products	JAN	Product Name	Specifications (colour, size)	Store Type	Country of Origin
	4550723239806	360-degree oscillating Circulator fan L	White/MJ-OCU18GL	-	CHINA
	4550723239813	360-degree oscillating Circulator fan L	White/MJ-OCU18EU	-	CHINA
	4550723239820	360-degree oscillating Circulator fan L	White/MJ-OCU18UK	-	CHINA

Material: Main Unit: ABS, ABS+PC, Blade: PP

Place of Origin: CHINA

**Provides a focused stream of air over a long distance. Ideal for ventilating rooms, circulating air-conditioned air, and drying laundry indoors.**



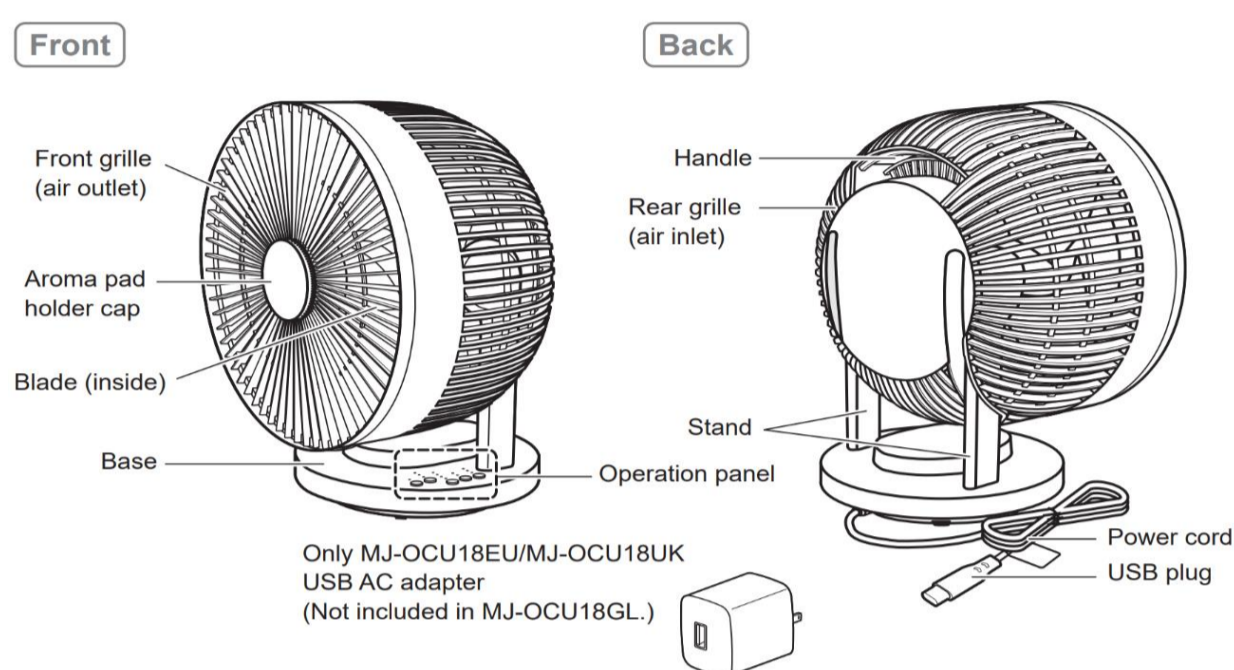
1. [360-degree oscillating mode]  
Vertical oscillation can be set to 45° or 90°, while horizontal oscillation can be set to 90°, 120°, 180° or 360°.

This circulator features 3D oscillation, delivering airflow to every corner of the room.

2. [Infuses the airflow with your favourite fragrance.]  
There are an aroma pad holder cap, an aroma pad holder and an aroma pad at the centre of the main unit. Add 2-3 drops of essential oil (MUJI Essential Oil is recommended) onto the pad. Then reattach the aroma pad holder cap to the centre of the main unit and enjoy the fragrance.

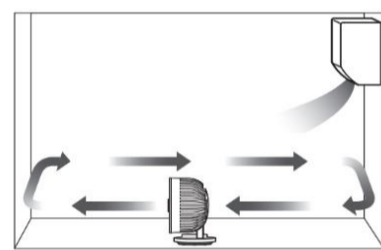
3. [Ideal for drying laundry indoors]  
It oscillates vertically and horizontally, making it perfect for drying laundry indoors with its focused airflow.

4. [[Automatically returns to the original position when powered off]  
It remembers the angle and air volume settings, and the head returns to its original position (front) when powered off.



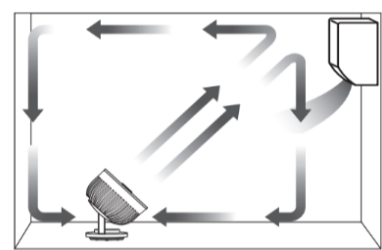
**Circulation of cool air during air-conditioning use**

Install the product in front of the air conditioning unit to circulate the cool air that tends to accumulate near the floor.



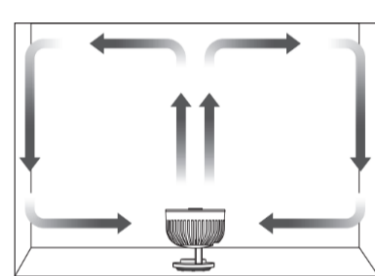
**Circulation of warm air during heater use**

Direct the airflow upwards to circulate the warm air that tends to hover near the ceiling.



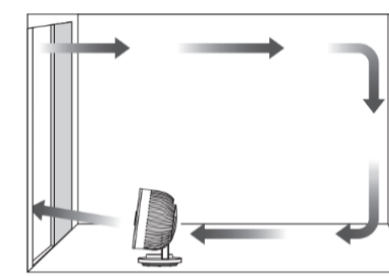
**Circulation of air**

Send the airflow towards the ceiling to circulate the room air.



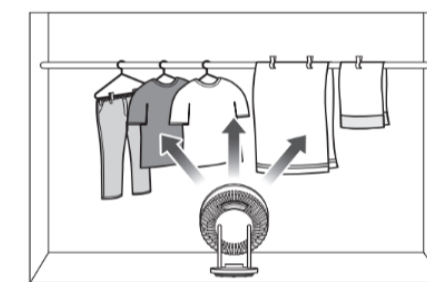
**Ventilation**

Bring in outdoor air and expel indoor air to exchange the air within the room.



**Drying laundry**

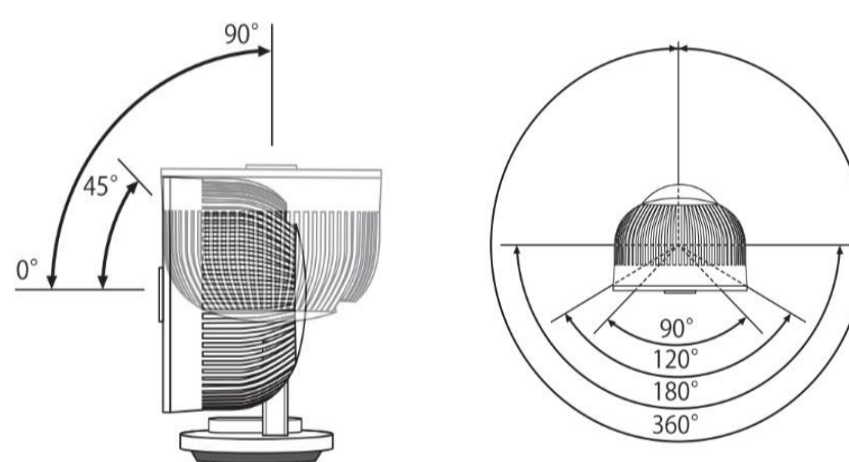
Dry laundry by directing the airflow onto it.



Concept

Changes from the Current Items

- (1) Changed from an AC plug to a USB plug to supply power.  
\*For UK/Hong Kong, a Type-C compatible adapter is included in compliance with the local regulatory requirements.
- (2) The device previously used an AC motor, but now uses a DC motor, reducing the power consumption by more than half (from 30W to 12W). The required voltage also used to vary by country/region (from 100 to 220V), but it is now standardized at DC12V everywhere.
- (3) The device emits a beep sound when each setting button is pressed.
- (4) The device stores up/down oscillation angle and air volume settings.  
\*Once unplugged, the settings are reset to the default state.



Noise: less than 45 dB

Specifications

Model number	MJ-OCU18GL/MJ-OCU18EU/MJ-OCU18UK	
Voltage	Main unit	Rated Input: 12 V ~ 14 W
	USB AC adapter (MJ-OCU18EU/MJ-OCU18UK only)	Rated input: 100 V-240 V ~ 50 Hz/60 Hz Rated output: USB-C 5 V ~ 3 A, 9 V ~ 2.22 A, 12 V ~ 1.67 A Total output: 20 W
Rated power Consumption	Airflow 3: 14 W Airflow 2: 10 W Airflow 1: 6 W	
Applicable room size (approx.)	29.16 m <sup>2</sup>	
Oscillation range	Up / Down: Approx. 45 / 90° Left / Right: Approx. 90 / 120 / 180 / 360°	
Air volume adjustment	3 Levels (1: Low, 2: Medium, 3: High)	

Max. airflow	Approx. 2.8 m/s or more (When operating on max. air volume)	
Noise	Less than 45 dB (When operating on max. air volume)	
Off timer	2 Hours / 4 Hours / 8 Hours	
Operating temperature	5°C - 35°C	
Product dimensions	Width: Approx. 218 mm × Depth: Approx. 282 mm × Height: Approx. 343 mm	
Weight	Main unit	Approx. 2.1 kg
	USB AC adapter	Approx. 60 g
Cord length	Approx. 1.5 m	
Contents	MJ-OCU18GL	Main unit, User manual
	MJ-OCU18EU/MJ-OCU18UK	Main unit, USB AC adapter, User manual

Remarks

Name	Model number	Replacement of the pad*
Aroma pad	MJ-ARP	Approx. every 2 years

Name	Model number
Blade (L)	MJ-OCF18FN
Spinner knob	MJ-OCFKB
Grille fixing nut	MJ-OCFNT
Aroma pad holder cap (L)	MJ-OCU18ACGL
Aroma pad case	MJ-ARC

Issuing Department

Household Div. E&O 81-3-3989-4431

Basic Product Information (E&O)

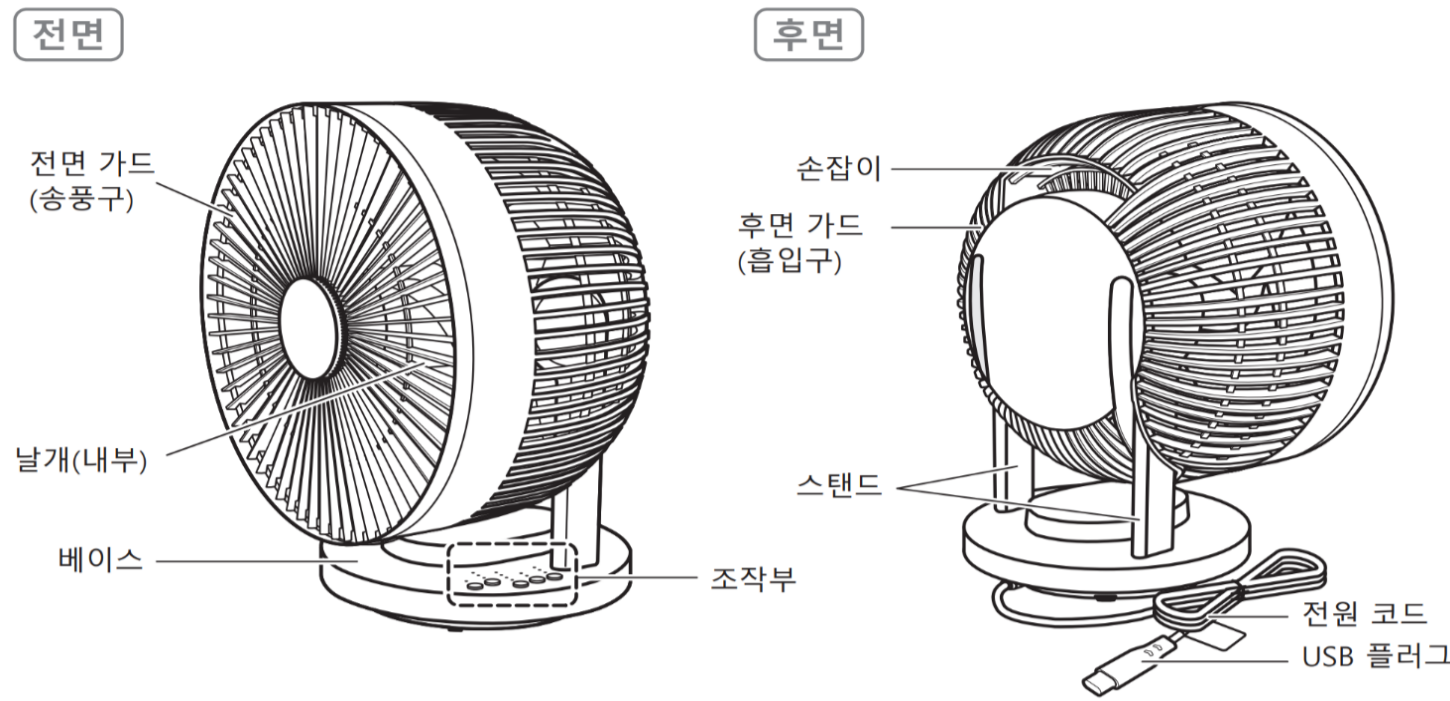
Created on April 28, 2026

Product Name (series)	2026SS 360-degree oscillating Circulator fan L
-----------------------	--

Applicable Products	JAN	Product Name	Specifications (colour, size)	Store Type	Country of Origin
	4550723239677	360-degree oscillating Circulator fan L	White/MJ-OCU18KR	-	CHINA

Material	Main Unit: ABS, ABS+PC, Blade: PP
Place of Origin	CHINA

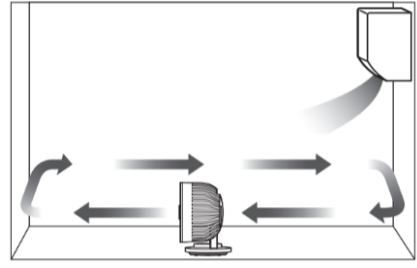
**Provides a focused stream of air over a long distance. Ideal for ventilating rooms, circulating air-conditioned air, and drying laundry indoors.**



- [360-degree oscillating mode]**  
Vertical oscillation can be set to 45° or 90°, while horizontal oscillation can be set to 90°, 120°, 180° or 360°. This circulator features 3D oscillation, delivering airflow to every corner of the room.
- [Ideal for drying laundry indoors]**  
It oscillates vertically and horizontally, making it perfect for drying laundry indoors with its focused airflow.
- [Automatically returns to the original position when powered off]**  
It remembers the angle and air volume settings, and the head returns to its original position (front) when powered off.

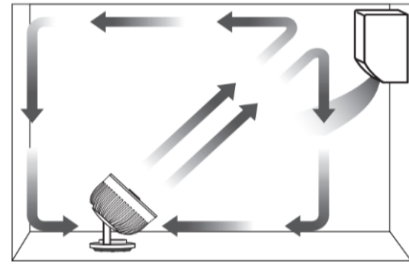
**냉방 사용 시, 냉기순환**

냉방기 앞쪽에 설치하여, 바닥에 머무르는 냉기를 순환시킨다.



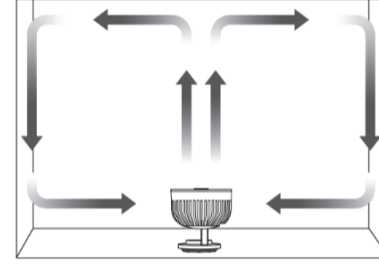
**난방 사용 시 온기순환**

바람을 위쪽으로 보내, 천장에 머무르는 온기를 순환시킨다.



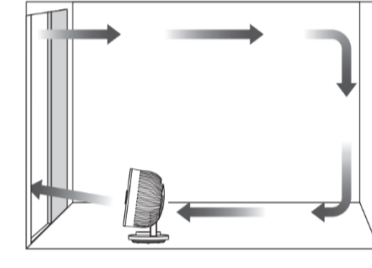
**공기순환**

바람을 천장쪽으로 보내, 방의 공기를 순환시킨다.



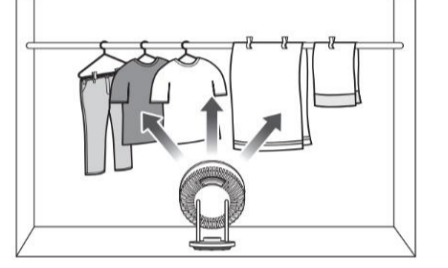
**환기**

실외 공기를 빨아들이거나 실내 공기를 실외로 배출하여 방의 공기를 환기한다.



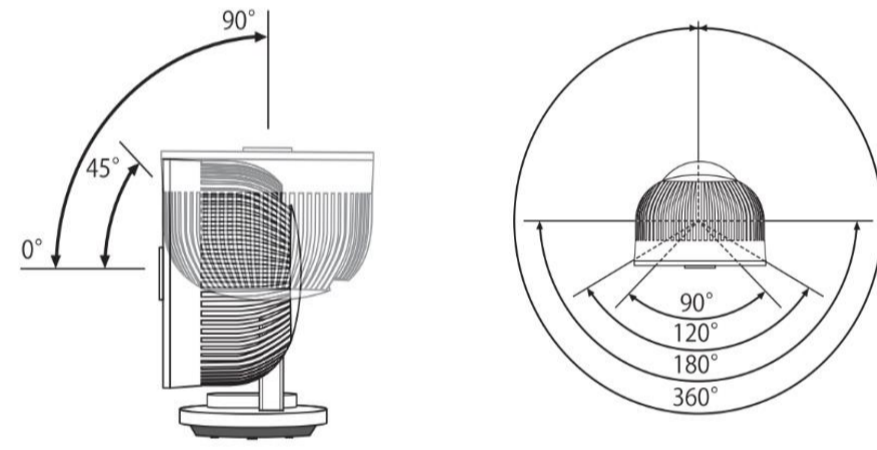
**빨래건조**

빨래에 직접 바람을 쏘여 건조시킨다.



**Changes from the Current Items**

- Changed from an AC plug to a USB plug to supply power.
  - The device previously used an AC motor, but now uses a DC motor, reducing the power consumption by more than half (from 30W to 12W). The required voltage also used to vary by country/region (from 100 to 220V), but it is now standardized at DC12V everywhere.
  - The device emits a beep sound when each setting button is pressed.
  - The device stores up/down oscillation angle and air volume settings.
- \*Once unplugged, the setting are reset to the default state.



**Noise: less than 45 dB**

**Specifications**

모델명	MJ-OCU18KR
정격 전압	정격 입력: 12 V~/1.2 A
정격 소비 전력	풍량3 : 14 W 풍량2 : 10 W 풍량1 : 6 W
적용 면적(기준)	29.16 m <sup>2</sup>
회전 각도	상하: 약 45/90도 좌우: 약 90/120/180/360도
풍량 조절	3단계(1:약, 2:중, 3:강)
최대 풍속	약 2.8 m/s 이상 (최대 풍량 운전 시)
소음	45 dB 미만 (최대 풍량 운전 시)
OFF 타이머	2시간 / 4시간 / 8시간
사용 온도	5°C-35°C
제품 크기	폭 : 약218 mm×깊이 : 약282 mm×높이 : 약343 mm
제품 무게	약2.1 kg
코드 길이	약1.5 m
구성품	본체, 사용설명서

**Remarks**

명칭	모델명
날개(L)	MJ-OCF18FN
스피너 노브	MJ-OCFKB
가드 고정 너트	MJ-OCFNT

Issuing Department

Household Div. E&O 81-3-3989-4431