

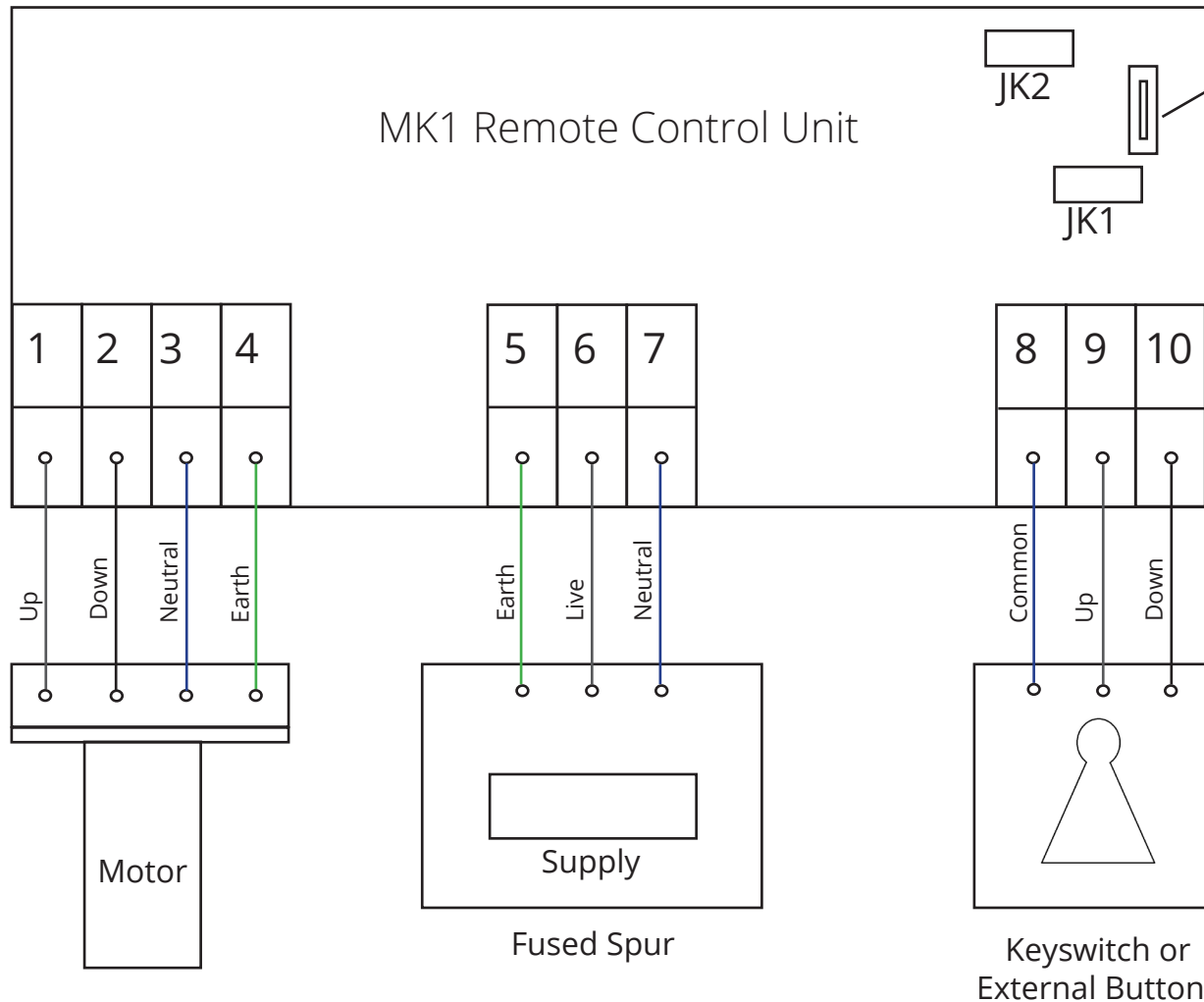
Wiring Diagram:

NECO MK1 Remote Control

Operation

JK1 = Deadman
JK2 = Automatic

To change from Auto:
Take the jumper from
JK2 & place onto JK1.



Direction Switch

Once connected, if the door is running in the wrong direction, you can use this switch to change direction.

Programming:

NECO Wireless Handsets

1. Remove the cover from the receiver unit (normally located on an inside wall or above a false ceiling).
2. Press and hold the learning button (situated alongside the fuse holder) for one second only.
3. Immediately press the up & down wireless handset buttons repeatedly until the door operates.

Please Note - If the learning button is pressed for ten seconds it will wipe out the existing memory and wireless handsets will have to be re-programmed.

If you require further assistance please contact us.