

14 MHz Video Lowpass Filter

Advance Data Sheet

MSVL14

Description

The MSVL14 provides a fourth-order video Lowpass Butterworth response filter with a corner at 14 MHz for use in Luminance filtering in HDTV or other higher resolution video systems. The MSVL14 is a continuous time filter with greater than 3% accuracy.

Unlike digital filters or other sample data filters, the MSVL14 does not use a sampling clock. The filter's corner frequency is set by internal capacitors and resistors. Only decoupling capacitors on the supplies and a bias resistor to set the operating current are needed to operate the MSVL14.

The elimination of clocking reduces noise generated by the clock as well as reduces distortion.

The MSVL14 is available in a 16-Pin 150 mil SOIC.

Features

- Provides Lowpass filter at 14 MHz
- Better than 3% accuracy
- Continuous Time Lowpass Filters: No Clock Noise
- Operates from 4.5 to 5.5 VDC
- Low distortion
- No Clock Required
- Fourth Order Butterworth Response

Applications

- Video Filter
- HDTV to Analog Converter boxes for older TVs
- Non-Standard Communications
- Radar
- Luminance Filtering
- High resolution video filtering

Absolute Maximum Ratings

Power Supply Voltage	6 V
Storage Temperature	-60 to +150 deg. C
Operating Temperature	-20 to +85 deg. C

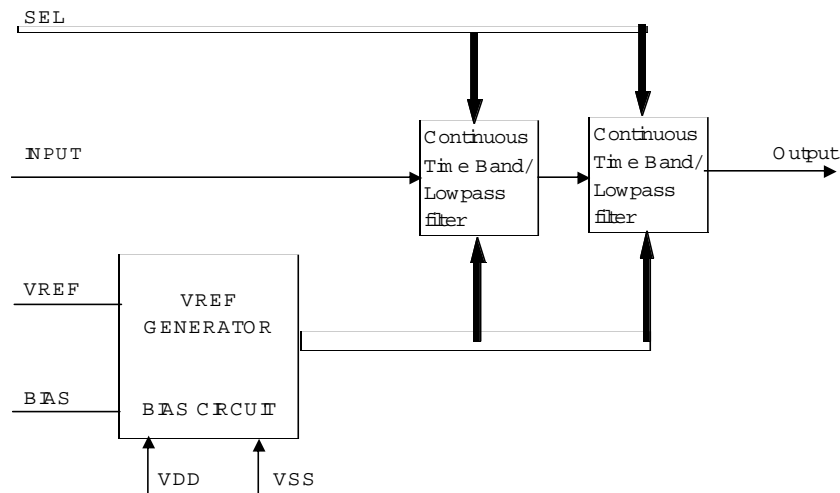


Figure 1 Block Diagram

14 MHz Video Lowpass Filter Advance Data Sheet

MSVL14

Electrical Characteristics

(VDD = +5V, T = 25 C)

PARAMETER	SYMBOL	CONDITIONS	MIN	TYP	MAX	UNITS
DC Specifications						
Operating Voltage	VDD		4.5	5.0	5.5	V
Supply Current	IDD	Rbias=10 kohms		30		mA
Power Down Current	IDD _{PD}				500	uA
Analog Ref. Voltage	VREF			0.5*VDD		V
DC Output Drive	I _O			100		uA
Output Impedance	Z _O			600		Ohms
Output Offset	V _{OS}			50		mV
AC Specifications						
Gain	A _V			0		dB
Output Swing			4.0	4.5		V _{p-p}
Input Impedance	Z _{IN}			10		kohm
Corner/Center Frequency	F _O			14		MHz
Corner Frequency Accuracy			-3		+3	%

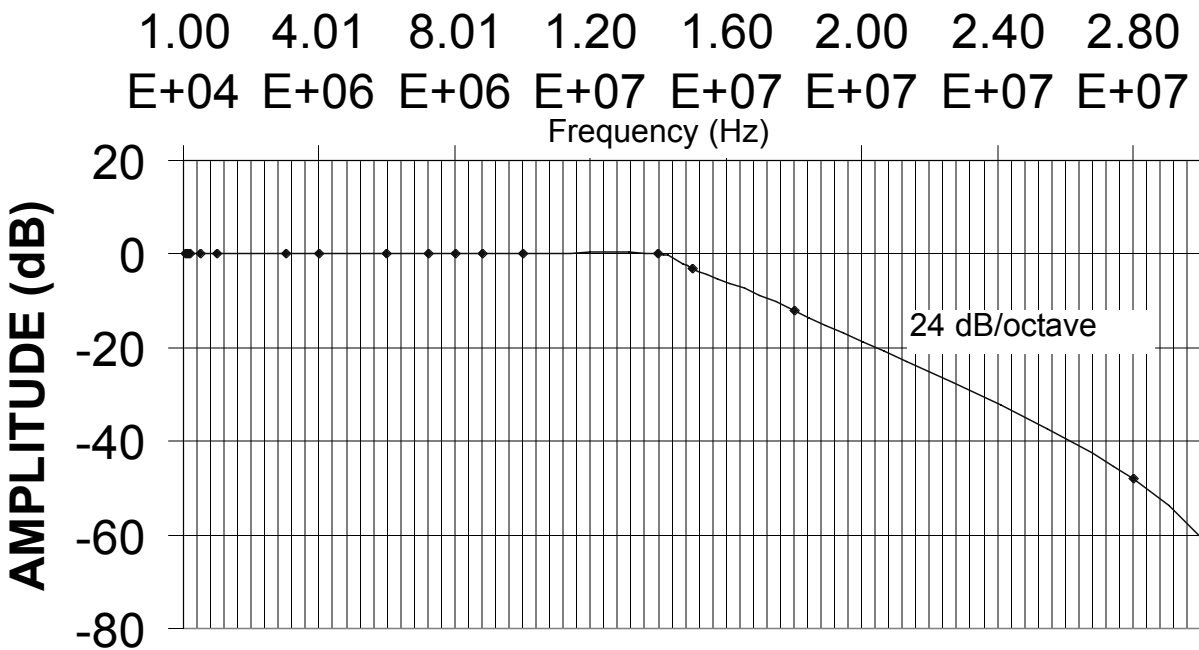
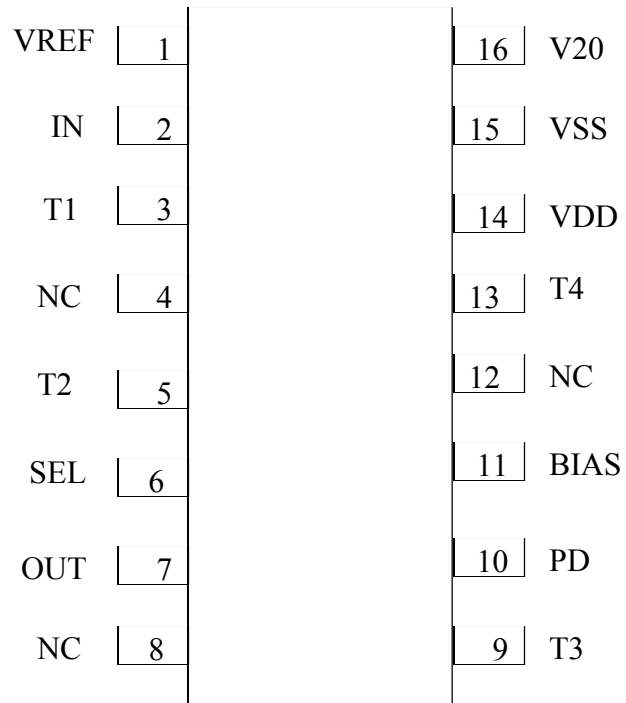


Figure 2 14 MHz Filter Response

14 MHz Video Lowpass Filter Advance Data Sheet

Pin Description

Pin	Description
1	VREF Internally Generated Ground Reference; Nominally 2.5VDC
2	IN Filter Input
3	T1 Do Not Connect; Test Only
4	NC No Internal Connection
5	T2 Do Not Connect; Test Only
6	SEL Selects Lowpass or Bandpass; Lowpass is selected at 0V
7	OUT Filter Output
8	NC No Internal Connection
9	T3 Do Not Connect; Test Only
10	PD Power Down Control; HI for PD controls IDD and maximum frequency response.
11	BIAS Resistors from Bias Pin to VDD controls IDD and maximum frequency response.
12	NC No Internal Connection
13	T4 Do Not Connect; Test Only
14	VDD Positive Power Supply; Typically 5.0VDC
15	VSS Negative Power Supply; Typically 0VDC
16	V20 Connect to 5.0 VDC



MSVL14

Figure 3 Pin Configuration

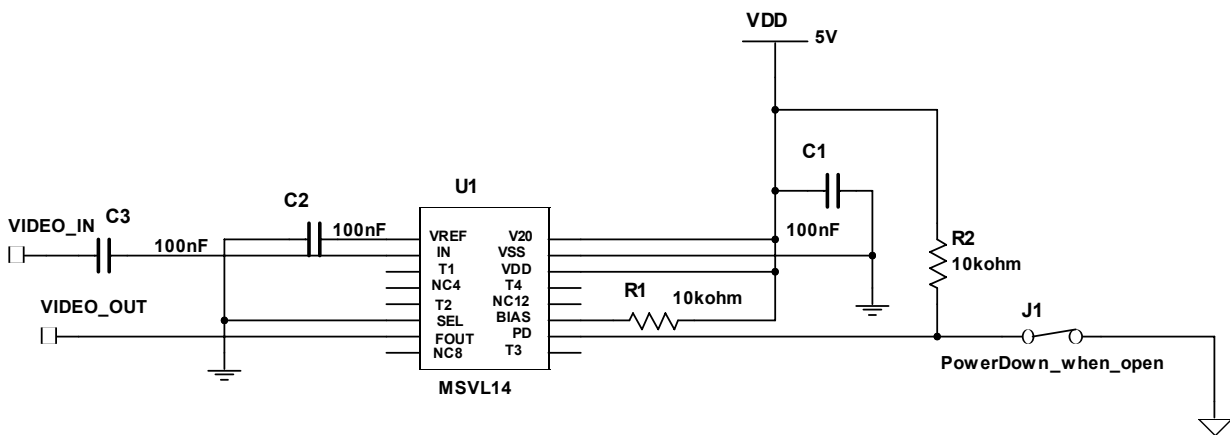


Figure 4 Typical Application Schematic of MSVL14

14 MHz Video Lowpass Filter

Advance Data Sheet

STANDARD PRODUCTS

MSVL14

MSGEQ5A	Five Band Graphic Equalizer
MSGEQ7	Seven Band Graphic Equalizer
MSHFS1-6	Selectable High Frequency LP/BP Filter
MSFS1-6	Selectable Lowpass/Bandpass Filter
MSCAHF	Selectable High Frequency Active Lowpass/Bandpass Filter
MSU1F1-4, MSU2F1	Resistor Programmable Universal Active Filter
MSU1HF1-4, MSU2HF1	High Frequency Resistor Programmable Universal Active Filter
MSELP	Switched Capacitor Elliptic Lowpass Filter with Op Amps
MSNBLP	Switched Capacitor Butterworth Lowpass Filter
MSLE/B/C5L/M	Switched Capacitor General Purpose Lowpass Filter
MS2LFS	Dual Selectable Low Voltage Lowpass/Bandpass Filter
MSLFS	Selectable Low Voltage Lowpass/Bandpass Filter
MSHN1-6	Selectable High Pass/Notch Filter
MSRAAF	Resistor Programmable Active Audio Filter
MSRAHF	Resistor Programmable Active High Frequency Filter
MSDET	Tone Detector
MSEPAF	Electrically Programmable Active Filter
MSCBT	Communications Baseband Transceiver
MSLV14	14 MHz Video Lowpass Filter

Mixed Signal Integration
2157F O'Toole Avenue
San Jose, California 95131-1332
Phone: (408)-434-6305
Fax: (408)-434-6417

In Mississippi, Alabama, Georgia
South Carolina, North Carolina, and
Tennessee contact:

Adeptronics
9694 Madison Boulevard Suite A-14
Madison, Alabama 35758
Telephone: 256-772-1922
Facsimile: 256-772-0323

In Taiwan contact:

Maxtek Technology Co., Ltd.

5F, No. 13-20, Sec. 6,
Min Chian E Road, Nei Hu
Taipei, 114 R.O.C.
Telephone: 886-2-2794-6060
Facsimile: 886-2-2879-8922

In Singapore, Indonesia and
Malaysia:

EXER Technologies (S) PTE LTD
45 Kaki Bukit Industrial Terrace
Singapore 416125
Telephone: (65)-6-747-9669
Facsimile: (65)-6-749-9669

In Arizona, Utah, Colorado, Montana,
Wyoming, Idaho, New Mexico and
southern Nevada contact:

Nelco Electronix
6970 S. Holly Circle #205
Centennial, CO 80112
Telephone: 720-493-9630
Facsimile: 720-493-9631

In Hong Kong and the People's
Republic of China contact:

Alphatron

2L, Cooke Street/F
G/F, Hung Hom
Kowloon Bay, Hong Kong
Telephone: 852-2303-1290
Facsimile: 852-2900-3616

In Israel contact:

Phoenix Technologies Ltd.
3 Gavish St.
Kfar-Saba, 44424
Israel
Telephone: 09-764-4800
Facsimile: 09-764-4801

In Indiana, Kentucky, Ohio, Michigan,
and western Pennsylvania contact:

CCR Electronics, Inc.
825 Woodfield Crossing Blvd
Indianapolis, Indiana 46240-2495
Telephone: 317-469-4855

In Korea contact:

H. B. Corp.

#1409, Seocho World Officetel,
1355-3, Seocho-Dong, Seocho-Ku,
Seoul, Korea 137-070
Telephone: (02)3472-3450
Facsimile: (02)3472-3458

In the United Kingdom contact:

Electronics 2000 Ltd.
Grafton House
Grafton Street
High Wycombe
Bucks HP12 3AJ
Telephone: 00-44-1494-444044
Facsimile: 00-44-1494-470499

Catch our web site at "<http://www.mix-sig.com>"

Send us e-mail at "info@mix-sig.com"