

GSM YAGI ANTENNA

- **GSM YAGI Antenna**
- **Multi frequency band**
- **Weatherproof**
- **8 dBi Gain**
- **SMA connector**

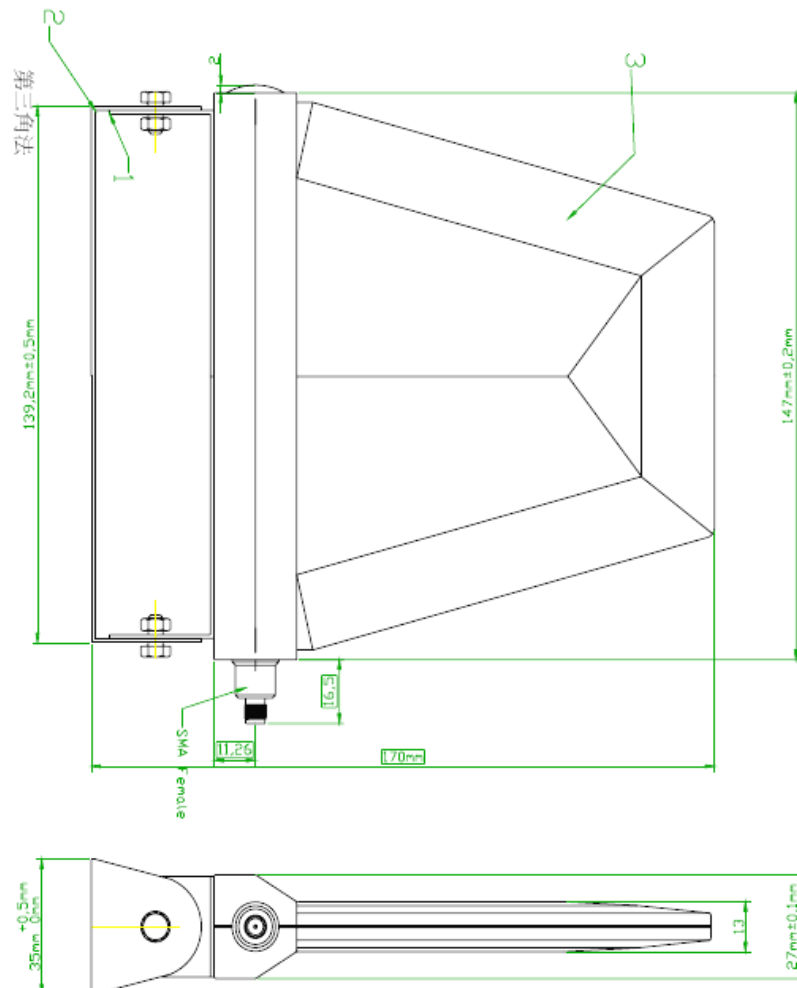
ADA-0059 is a waterproof dual band GSM high gain antenna with SMA connector.

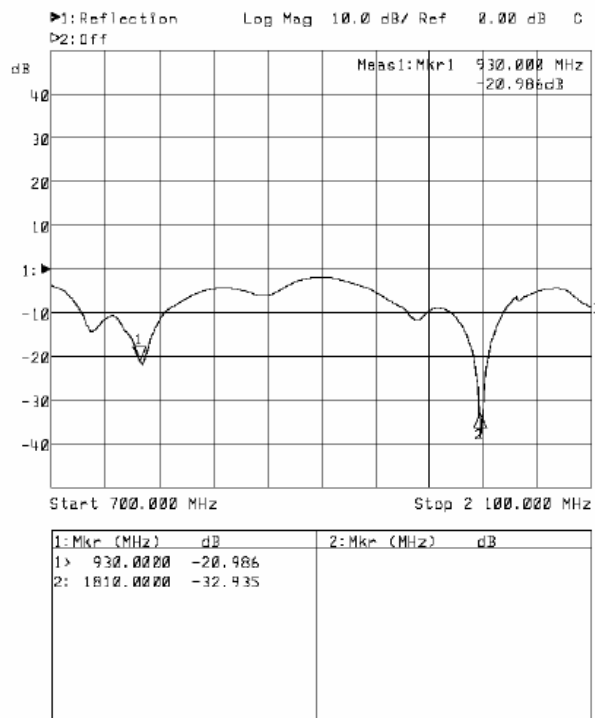
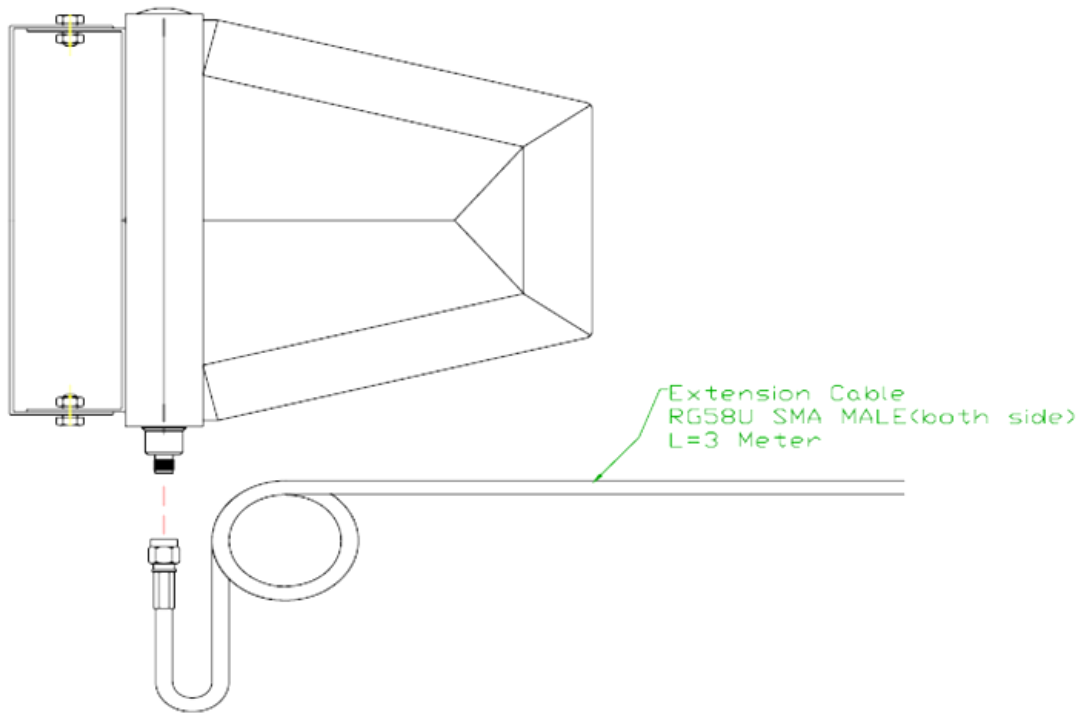
It is designed for outdoor use, and suitable for places with poor GSM network coverage.

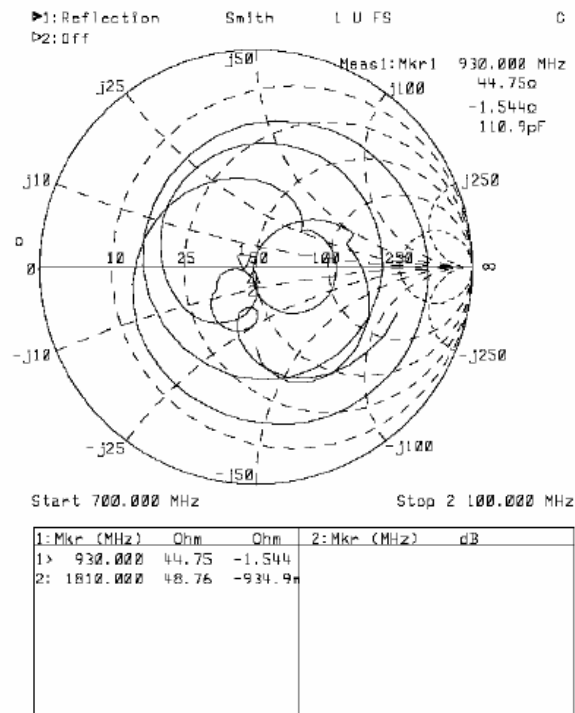
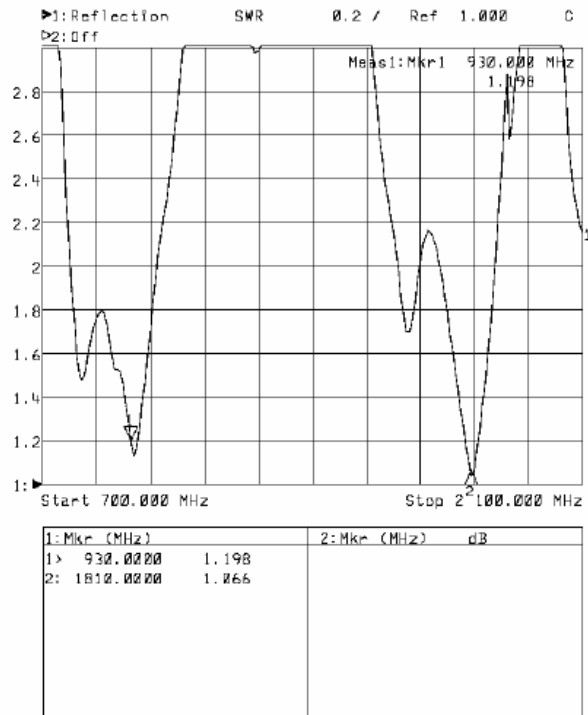


Specification

Category	Overall performance
Frequency	GSM 900 / 1800 MHz
Impedance	50 Ω
S.W.R	<2.0:1
Reflection	<-10dB
Gain	8 dBi
Connector	SMA Male







Ordering codes

TYPE	Description	Comment
ADA-0059	Yagi GSM antenna	SMA connector

For the latest updates, visit our Web site: www.adactus.se

Disclaimer

Information furnished is believed to be accurate and reliable. However, Adactus assumes no responsibility for the consequences of use of such information nor for any infringement of patents or other rights of third parties which may result from its use.

Adactus reserves the right to make changes without further notice to any product herein to improve reliability, function or design. Adactus does not assume any liability arising out of the application or use of any product described herein.

This publication supersedes and replaces all information previously supplied.

Adactus products are not authorized as critical components in life support devices or systems.