

---

### GSM STUB ANTENNA

---

- **GSM Antenna**
- **Dual or Quad band**
- **850/900/1800/1900 MHz**
- **0 dB Gain**
- **FME connector**

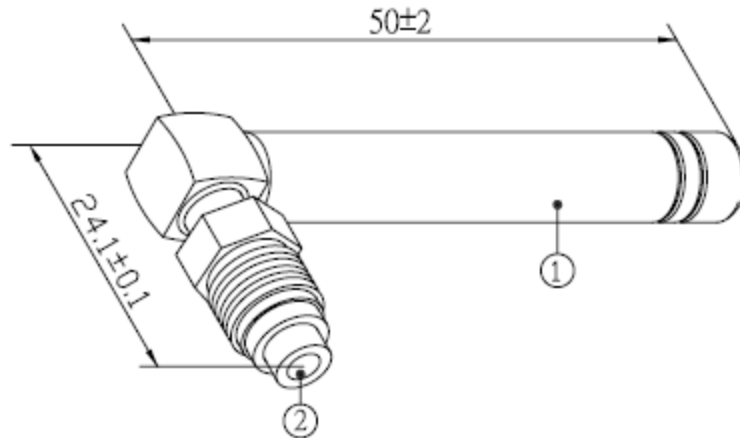
ADA-0096 is a dual band GSM ground plane dependent antenna with a right angle or straight FME connector.

It is designed to work perfect with all GSM modems, and other products that already have an internal ground plane. The small PVC covered Stub antenna is easy to place and use even in narrow areas.

ADA-0096Q is the quad band version of ADA-0096

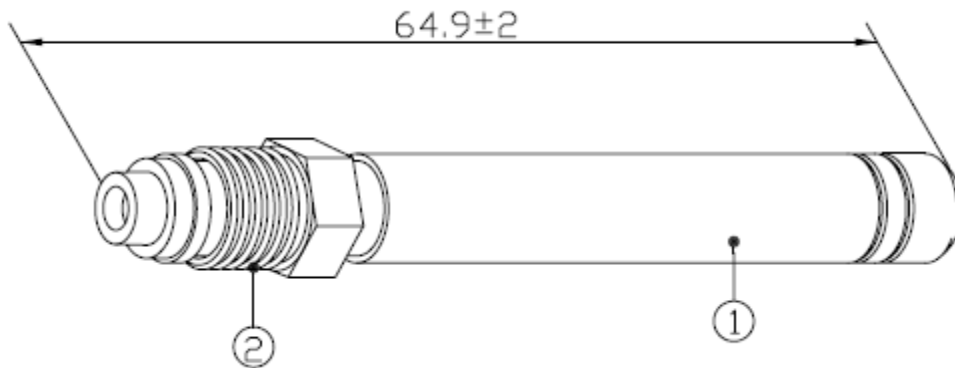


ADA-0096-L



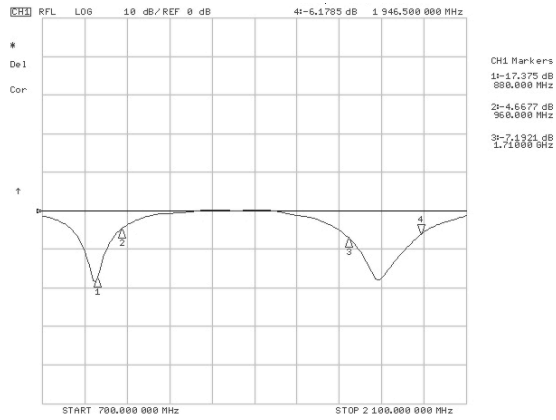
NO.	NAME	MATERIAL	FINISH	Q'TY
1	Ant, shell	PU	Black	1
2	FME 90°	Brass	Nickel Plating	1

ADA-0096-I

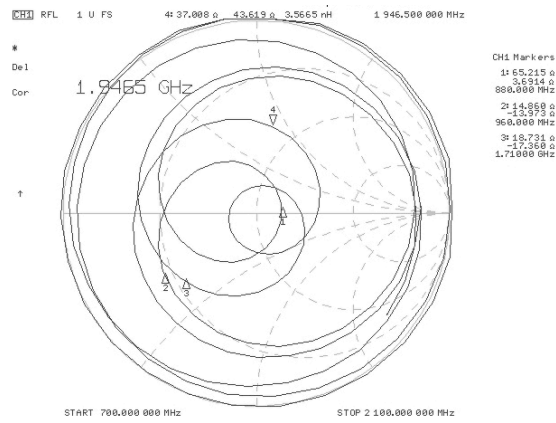


NO.	NAME	MATERIAL	FINISH	Q'TY
1	Core Tube	PU	Black	1
2	FME	Brass	Nickel Plating	1

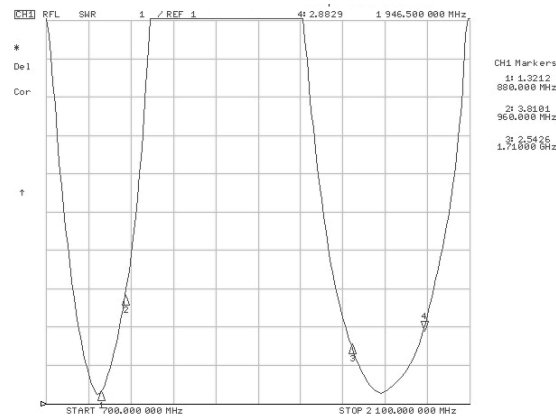
# ADA-0096 RL



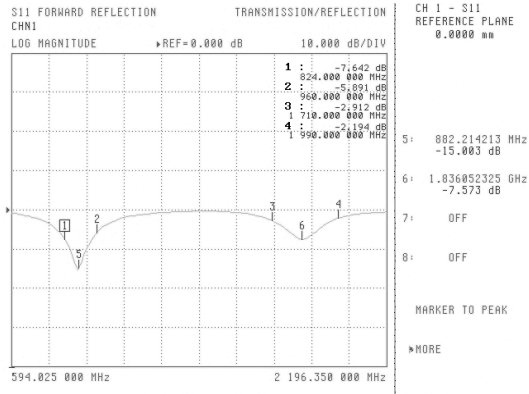
# ADA-0096 SC



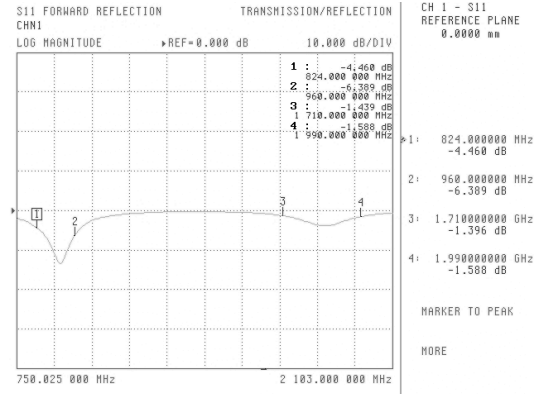
# ADA-0096 VSWR



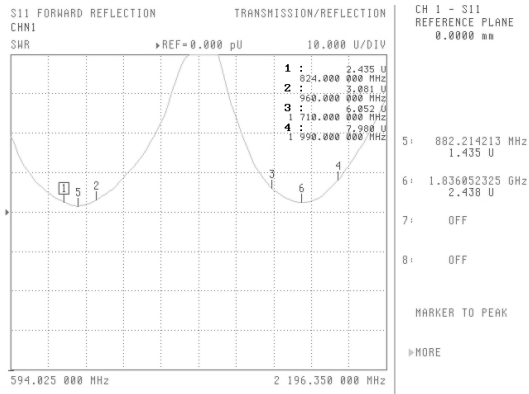
### ADA-0096Q-L RL



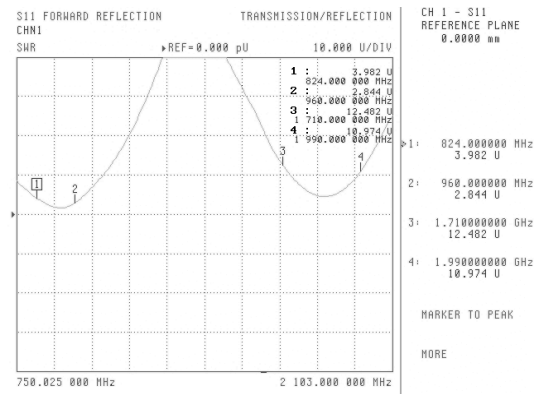
### ADA-0096Q-I RL



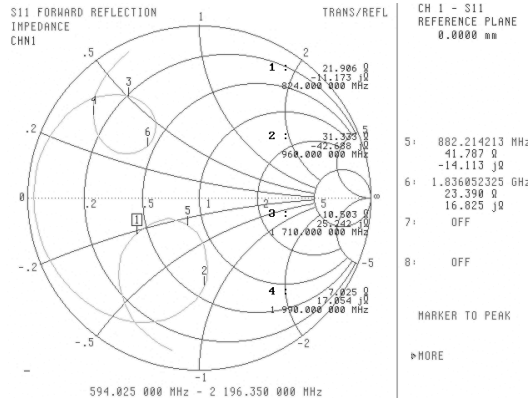
### ADA-0096Q-L VSWR



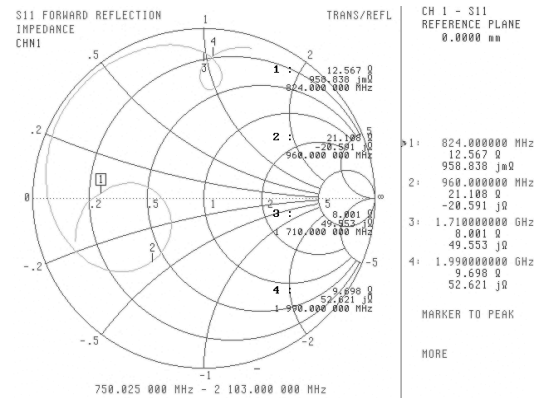
### ADA-0096Q-I VSWR



### ADA-0096Q-L SMITH



### ADA-0096Q-I SMITH



## Ordering codes

TYPE	Description	Comment
ADA-0096-L	Right angel FME connector	GSM dual band antenna
ADA-0096-I	Straight FME connector	GSM dual band antenna
ADA-0096Q-L	Right angel FME connector	GSM quad band antenna
ADA-0096Q-I	Straight FME connector	GSM quad band antenna

For the latest updates, visit our Web site: [www.adactus.se](http://www.adactus.se)

### **Disclaimer**

Information furnished is believed to be accurate and reliable. However, Adactus assumes no responsibility for the consequences of use of such information nor for any infringement of patents or other rights of third parties which may result from its use. Adactus reserves the right to make changes without further notice to any product herein to improve reliability, function or design. Adactus does not assume any liability arising out of the application or use of any product described herein. This publication supersedes and replaces all information previously supplied. Adactus products are not authorized as critical components in life support devices or systems.