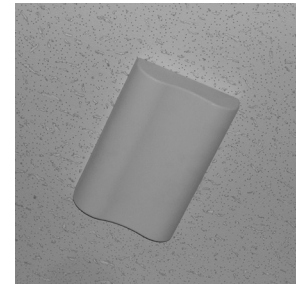


Dual-band, Ceiling Mount MIMO Omnidirectional Antennas

The PCTCMI2458-6 and PCTCMI2458-3 dual-band MIMO antennas provide diversity coverage of 2.4-2.5 GHz Wi-Fi, 4.9-5.9 GHz Public Safety/ISM/Wi-Fi/WiMAX broadband wireless frequencies in an attractive, low profile housing. These antennas are designed for in-building ceiling mount installations utilizing 802.11n multiband wireless LAN access point radios. Two easy to install models are available for use with 6-port or 3-port MIMO radios.

Features

- Multiband coverage of 2.4-2.5 GHz ISM, 4.9-5.9 GHz broadband wireless frequencies with every element
- Six-port or three-port dual band integrated elements terminated with high performance, low loss Plenum rated cable
- Single (PCTCMI2458-3) or dual (PCTCMI2458-6) stud mount cable exits for quick and simple installation
- Attractive low profile radome addresses in-building aesthetic considerations
- UL 94-V0 listed materials and Plenum rated cable for compliance to strict building safety code specifications



PCTCMI2458-6
(dual stud cable exit)



PCTCMI2458-3
(single stud cable exit)

RF/Electrical Specifications

Model	Frequency Range	E-Plane Beamwidth	Nominal Gain	VSWR (Nominal)
PCTCMI2458-6	2.4-2.5 GHz	55°	2.5 dBi (2.4-2.5 GHz)	< 1.7:1
	4.9-5.9 GHz	45°	3.0 dBi (4.9-5.9 GHz)	
PCTCMI2458-3	2.4-2.5 GHz	55°	2.5 dBi (2.4-2.5 GHz)	< 2.0:1
	4.9-5.9 GHz	45°	3.0 dBi (4.9-5.9 GHz)	

Mechanical Specifications

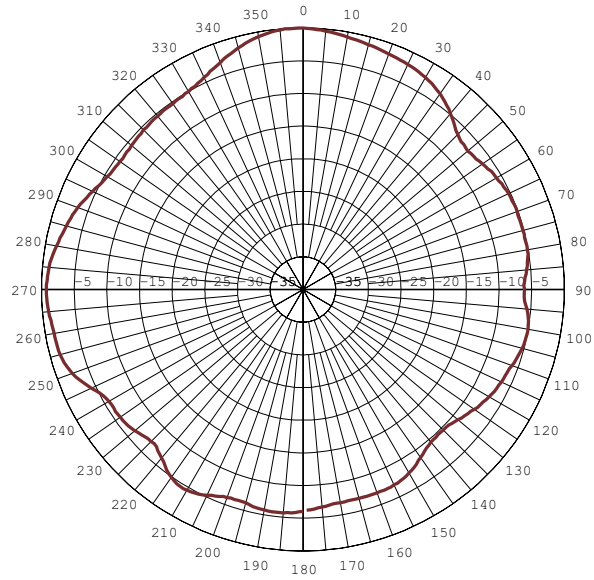
Model	Dimensions (L x W x D)	Temperature Range	Cable
PCTCMI2458-6	9.1 x 6.6 x 1.6 in (23.1 x 16.8 x 4.1 cm)	-22°F to +158°F (-30°C to +70°C)	Six (6) 3-foot Plenum RG-58/U CL2P
PCTCMI2458-3	9.1 x 6.6 x 1.6 in (23.1 x 16.8 x 4.1 cm)	-22°F to +158°F (-30°C to +70°C)	Three (3) 3-foot Plenum RG-58/U CL2P

Technical Data

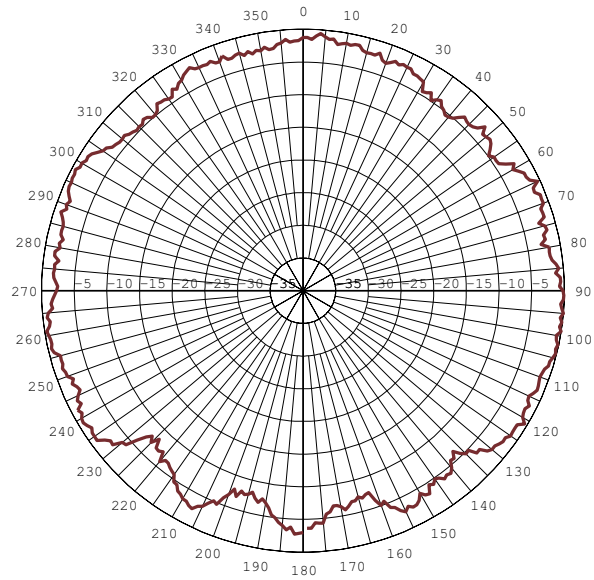
Maximum Power: 25 watts
Nominal Impedance: 50 ohms
Polarization: Vertical, linear
Antenna Housing Material: Off-white PC/ABS Plastic
Connectors: Reverse Polarity SMA Male*
Mounting Method: Ceiling Mount Single 1.5-inch stud mount cable exit (PCTCMI2458-3) Two 1.5-inch stud mount cable exits (PCTCMI2458-6) 7/8-14 UNF plastic HEX-nuts and flat washers included

* Standard models. Contact Customer Service to request other connector options.

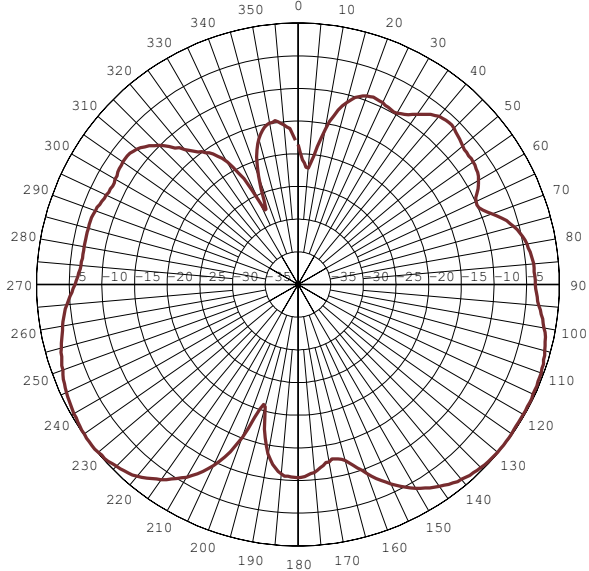
2.4 GHz Azimuth Pattern



5 GHz Azimuth Pattern



2.4 GHz Elevation Pattern



5 GHz Elevation Pattern

