



BIOGUARD PLAIN (ISO 5)

BIOGUARD PLAIN combines excellent cleanability and resistance to disinfectants. Along with its antimicrobial performance it is an ideal solution for healthcare environments.

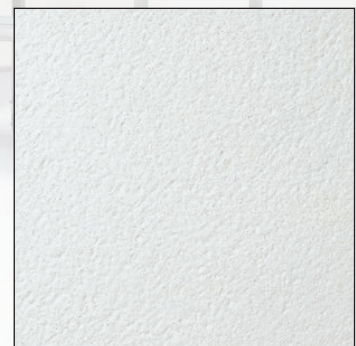
Key features

- Available in Plain surface with enhanced water repellency
- High light reflectance: 87 %
- Washable
- Safe use with disinfectants
- ISO 5

Application areas

Ideal for healthcare environments with average or severe risk of infection.

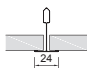
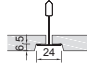
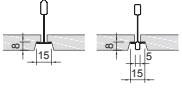
HEALTHCARE - Trinity Biomedical Sciences Institute (IE)
BIOGUARD Plain



Inspiring Great Spaces®

Armstrong®
CEILING SOLUTIONS

BIOGUARD PLAIN (ISO 5)

EDGE DETAIL	BOARD	TEGULAR	MICROLOOK
			
THICKNESS (mm)	15	15	15
MODULES (mm)	600 x 600 2221M 1200 x 600 2222M	600 x 600 2223M	600 x 600 2224M
SUSPENSION SYSTEMS	Prelude 24 XL ² / TLS Prelude 24 Corrosive Resistant Clean Room 24	Prelude 24 XL ² / TLS Clean Room 24	Prelude 15 TL / XL ² Interlude HRC XL ²

COLOURS



Global White

SUSTAINABILITY



37-40








A+ / A¹




E1

¹ Depends on thickness, edge detail and size of tile.

ACOUSTICS


				Class	NRC	Hz α_p					
	EN ISO 10848-2 & EN ISO 717-1	EN ISO 140-3 & EN ISO 717-1	EN ISO 354 & EN ISO 11654			D_{nfw}	R_w	α_w	125	250	500
Board, Tegular, MicroLook	35 dB	19 dB	0.20(L)	E	0.20	0.40	0.25	0.15	0.15	0.20	0.30


FIRE REACTION





EEA Euroclass A2-s1, d0 <small>EN 13501-1</small>	RUS KM1 (G1, V1, D1, T1) <small>FZ 123</small>
--	---


OTHER PERFORMANCES & FEATURES


 87%


 $\lambda = 0.060 \text{ W/m K}$
EN 12667 & ISO 8301


 95% RH


 $\approx 3.6 \text{ kg/m}^2$

 ISO 5
ISO 14644-1









30YEAR
system guarantee

BIM
READY