



DESCRIPTION

Body in anodized corrosion-resistant extruded aluminium. Flange in anodized corrosion-resistant aluminium with integrated seal. Extra-clear safety glass with a thickness of 6mm fitted flush with the fixture, ceramic-coated rear. Anti-condensation compensation valve. Adjustable from 0° to 135° with graduated bracket. Electric connection with screw connector. High power LED module on printed circuit board with metal base. Electronic components, dimmable with external dimmer. Highly efficient secondary lens. IP67 protection rating: total protection from dust and the effects of immersion in water.

APPLICATIONS

A powerful lighting bar, which can be widely used to illuminate facades and bridges. Thanks to its compact, sophisticated design, it integrates perfectly into any structure in which it is installed.

It answers the most exacting requirements of washer and wall washer lighting, and by the accurate use of secondary optics it becomes a very versatile product that can easily be used in many situations.

The elegance of the product means that it can be installed in full view, and the total absence of front screws makes it a pleasing object even when switched off.

TECHNICAL SPECIFICATIONS

No and Type of LED	6/12/18/24/36 x CREE XP-E
Power supply	350 / 700mA / 24Vdc
Body material	anticorodal anodized aluminium
Electrical connection	M12 connector
Cooling	passive
Installation	any position
Protection rating	IP67
Class	III
Weight	1 / 2 / 3 / 4Kg
Dimensions	48 x h46 x 350/650/950/1.250mm
Maximum power consumption	48W
Operating temperature	-40 / +85°C
Average product life	35.000hours

CHARACTERISTICS AND ADVANTAGES

- High efficiency (>100 lm/W).
- ANSI compliant binning.
- Excellent lumen maintenance and colour stability.
- Extensive dimming range – fully dimmable.
- Highly efficient secondary optics.
- Long life and reduced maintenance costs.
- Ecological, no disposal restrictions.

OPTICS, COLOUR TEMPERATURE AND RCI

10°	21°	39°	10°x44°	25°	40°
					OTHER COLOURS ON REQUEST
2800K	3200K	4200K	5500K	RGB	
>90	>85				
CRI	CRI				

OPTICAL SPECIFICATIONS

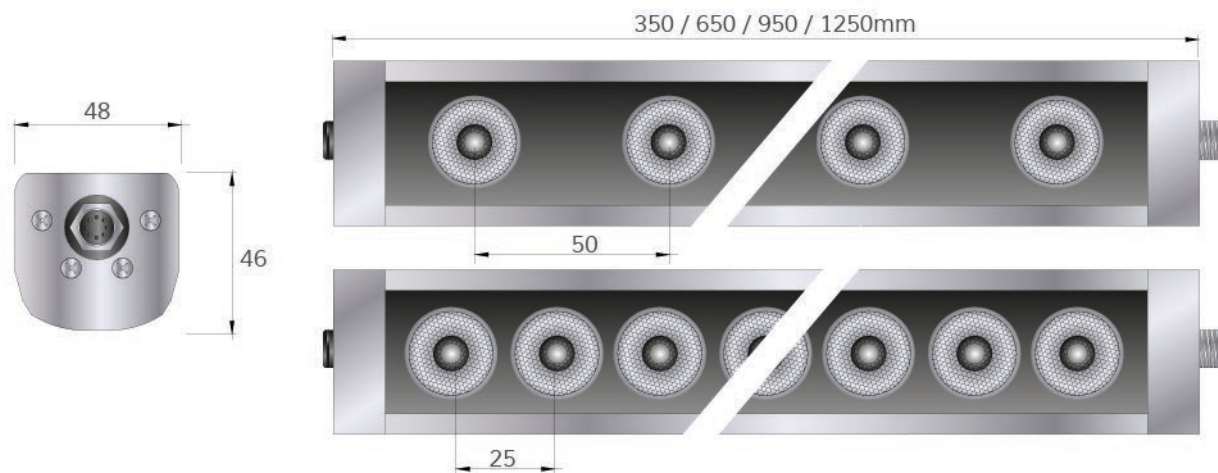
6 led, 700 mA, 350 mm

Optics	Code	Color Temperature	Emission (Lumens)	LED Efficiency (lm/W)	CRI	Typical illuminance (Lux)		
						α 1 m	α 2 m	α 3 m
10°	b48-06700010035WW2	White 2800K	1020 lm	100 lm/W	>90	11037 lx	4150 lx	2042 lx
	b48-06700010035WW3	White 3200K	1080 lm	105 lm/W	>85			
	b48-06700010035NW4	White 4200K	1140 lm	110 lm/W	>80	14385 lx	5412 lx	2666 lx
	b48-06700010035CW5	White 5500K	1320 lm	130 lm/W	>80			
21°	b48-06700021035WW2	White 2800K	1020 lm	100 lm/W	>90	3120 lx	891 lx	408 lx
	b48-06700021035WW3	White 3200K	1080 lm	105 lm/W	>85			
	b48-06700021035NW4	White 4200K	1140 lm	110 lm/W	>80	4068 lx	1163 lx	533 lx
	b48-06700021035CW5	White 5500K	1320 lm	130 lm/W	>80			
39°	b48-06700039035WW2	White 2800K	1020 lm	100 lm/W	>90	1345 lx	343 lx	154 lx
	b48-06700039035WW3	White 3200K	1080 lm	105 lm/W	>85			
	b48-06700039035NW4	White 4200K	1140 lm	110 lm/W	>80	1752 lx	448 lx	201 lx
	b48-06700039035CW5	White 5500K	1320 lm	130 lm/W	>80			
10°x44°	b48-06700x44035WW2	White 2800K	1020 lm	100 lm/W	>90	3963 lx	1036 lx	465 lx
	b48-06700x44035WW3	White 3200K	1080 lm	105 lm/W	>85			
	b48-06700x44035NW4	White 4200K	1140 lm	110 lm/W	>80	5170 lx	1352 lx	607 lx
	b48-06700x44035CW5	White 5500K	1320 lm	130 lm/W	>80			
Diameter (m)	10°	> > > > > > > > > > > > > > > >				0.57 m x 0.46 m	1.14 m x 1.02 m	1.50 m x 1.37 m
	21°	> > > > > > > > > > > > > > > >				0.54 m x 0.33 m	1.47 m x 1.43 m	2.07 m x 2.05 m
	39°	> > > > > > > > > > > > > > > >				0.78 m x 0.62 m	1.87 m x 1.77 m	2.32 m x 2.30 m
	10°x44°	> > > > > > > > > > > > > > > >				0.63 m x 0.44 m	2.05 m x 1.12 m	3.05 m x 1.51 m

12 led, 350 mA, 350 mm

Optics	Code	Color Temperature	Emission (Lumens)	LED Efficiency (lm/W)	CRI	Typical illuminance (Lux)		
						α 1 m	α 2 m	α 3 m
10°	b48-12350010035WW2	White 2800K	1200 lm	100 lm/W	>90	12620 lx	4741 lx	2335 lx
	b48-12350010035WW3	White 3200K	1260 lm	105 lm/W	>85			
	b48-12350010035NW4	White 4200K	1320 lm	110 lm/W	>80	16379 lx	6154 lx	3031 lx
	b48-12350010035CW5	White 5500K	1560 lm	130 lm/W	>80			
21°	b48-12350021035WW2	White 2800K	1200 lm	100 lm/W	>90	3567 lx	1019 lx	467 lx
	b48-12350021035WW3	White 3200K	1260 lm	105 lm/W	>85			
	b48-12350021035NW4	White 4200K	1320 lm	110 lm/W	>80	4630 lx	1322 lx	606 lx
	b48-12350021035CW5	White 5500K	1560 lm	130 lm/W	>80			
39°	b48-12350039035WW2	White 2800K	1200 lm	100 lm/W	>90	1579 lx	396 lx	177 lx
	b48-12350039035WW3	White 3200K	1260 lm	105 lm/W	>85			
	b48-12350039035NW4	White 4200K	1320 lm	110 lm/W	>80	2049 lx	514 lx	230 lx
	b48-12350039035CW5	White 5500K	1560 lm	130 lm/W	>80			
10°x44°	b48-12350x44035WW2	White 2800K	1200 lm	100 lm/W	>90	4536 lx	1188 lx	533 lx
	b48-12350x44035WW3	White 3200K	1260 lm	105 lm/W	>85			
	b48-12350x44035NW4	White 4200K	1320 lm	110 lm/W	>80	5887 lx	1543 lx	691 lx
	b48-12350x44035CW5	White 5500K	1560 lm	130 lm/W	>80			
Diameter (m)	10°	> > > > > > > > > > > > > > > >				0.59 m x 0.47 m	1.15 m x 1.06 m	1.51 m x 1.49 m
	21°	> > > > > > > > > > > > > > > >				0.54 m x 0.30 m	1.55 m x 1.45 m	2.17 m x 2.05 m
	39°	> > > > > > > > > > > > > > > >				0.76 m x 0.65 m	1.97 m x 1.81 m	2.43 m x 2.30 m
	10°x44°	> > > > > > > > > > > > > > > >				0.64 m x 0.45 m	2.10 m x 1.15 m	3.13 m x 1.57 m

TECHNICAL DRAW



ACCESSORIES

DESCRIPTION	CODE
Cable with M12 female/flying 2-pole connector L=2 m (single colour)	CMP00487
Cable with M12 female/flying 2-pole connector L=5 m (single colour)	CMP00488
Cable with M12 female/flying 2-pole connector L=10 m (single colour)	CMP00489
Cable with M12 female/flying 2-pole connector L=15 m (single colour)	CMP00490
Cable with M12 female/flying 4-pole connector L=2 m (RGB@24Vdc)	CMP00259
Cable with M12 female/flying 4-pole connector L=5m (RGB@24Vdc)	CMP00303
Cable with M12 female/flying 4-pole connector L=10m (RGB@24Vdc)	CMP00370
Cable with M12 female/flying 4-pole connector L=15m (RGB@24Vdc)	CMP00555
Cable with M12 female/flying 6-pole connector L=2m (RGB@350mA and 700mA)	CMP00482
Cable with M12 female/flying 6-pole connector L=5m (RGB@350mA and 700mA)	CMP00483
Cable with M12 female/flying 6-pole connector L=10m (RGB@350mA and 700mA)	CMP00484
Cable with M12 female/flying 6-pole connector L=15m (RGB@350mA and 700mA)	CMP00485
Adjustable bracket kit (1pc.)	TRN00115
IP68 Paguro 5665 Junction box - 2x2.5 mmq parallel	CMP00850
IP68 Paguro 5650/3 Junction box - 3x2.5 mmq parallel	CMP00851
IP68 Paguro 5664/20 Junction box - 4x2.5 mmq parallel	CMP00852
IP68 Paguro 5633/6 Junction box - 6x0,5 mmq parallel	CMP00853
IP68 Paguro 5663 Junction box - 3x6 mmq - connection in series/parallel	CMP00854