



DESCRIPTION

Body in corrosion-resistant aluminium. Screw-on flange trim in anodized corrosion-resistant aluminium. Extra-clear safety glass with a thickness of 6 mm fitted flush with the fixture, ceramic-coated rear.

Equipped with 2 m connection cable; an extension of up to 30 m is available on request.

High power LED module on printed circuit board with metal base. Electronic components, dimmable with external dimmer. Highly efficient secondary lens. For recessing into the ground, to be used only with the appropriate housing. Walkover device.

IP67 protection rating: total protection from dust and the effects of immersion in water.

APPLICATIONS

Recessed products of the Drop4 series are typically used for the design of lighting in outdoor areas.

These products are used to achieve scenic lighting effects on building facades, walkways and vegetation.

Equipped with round or square flange trims, they adapt perfectly to existing architectural features. All fixtures are already equipped with a connection cable for efficient installation.

TECHNICAL SPECIFICATIONS

No and Type of LED	4x CREE X-PE / XP-G 3x Seoul P5II
Power supply	350 / 700mA
Body material	anticorodal anodized aluminium
Electrical connection	cabl e L=2m
Cooling	passive
Installation	any position
Protection rating	IP67
Class	III
Weight	0,5Kg
Dimensions	Ø80 x h76mm
Maximum power consumption	9,6W
Operating temperature	-40 / +85°C
Average product life	35.000hours

CHARACTERISTICS AND ADVANTAGES

- High efficiency (>100 lm/W).
- ANSI compliant binning.
- Excellent lumen maintenance and colour stability.
- Extensive dimming range – fully dimmable.
- Highly efficient secondary optics.
- Long life and reduced maintenance costs.
- Ecological, no disposal restrictions.

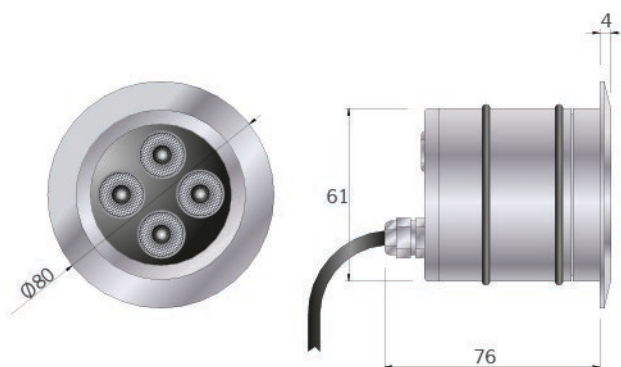
OPTICS, COLOUR TEMPERATURE AND RCI

10°	21°	39°	10°x44°	25°	40°
					OTHER COLOURS ON REQUEST
2800K	3200K	4200K	5500K	RGB	
>90	>85				
CRI	CRI				

OPTICAL SPECIFICATIONS

Optics	Code	Color temperature	Emission (Lumens)	LED Efficiency (lm/W)	CRI	Typical illuminance (Lux)		
						at 1m	at 2m	at 3m
10°	dR4-04700010WW2	White 2800K	680lm	100lm/W	>90	13073lx	3322lx	1476lx
	dR4-04700010WW3	White 3200K	720lm	105lm/W	>85			
	dR4-04700010NW4	White 4200K	760lm	110lm/W	>80			
21°	dR4-04700010CW5	White 5500K	880lm	130lm/W	>80	17059lx	4334lx	1926lx
	dR4-04700021WW2	White 2800K	680lm	100lm/W	>90			
	dR4-04700021WW3	White 3200K	720lm	105lm/W	>85			
39°	dR4-04700021NW4	White 4200K	760lm	110lm/W	>80	2522lx	632lx	281lx
	dR4-04700021CW5	White 5500K	880lm	130lm/W	>80			
	dR4-04700039WW2	White 2800K	680lm	100lm/W	>90			
10°x44°	dR4-04700039WW3	White 3200K	720lm	105lm/W	>85	943lx	238lx	106lx
	dR4-04700039NW4	White 4200K	760lm	110lm/W	>80			
	dR4-04700039CW5	White 5500K	880lm	130lm/W	>80			
10°x44°	dR4-04700x44WW2	White 2800K	680lm	100lm/W	>90	2803lx	704lx	313lx
	dR4-04700x44WW3	White 3200K	720lm	105lm/W	>85			
	dR4-04700x44NW4	White 4200K	760lm	110lm/W	>80			
	dR4-04700x44CW5	White 5500K	880lm	130lm/W	>80			
Diameter (m)	10°		>			0.28m	0.73m	1.00m
	21°		>			0.32m	1.28m	1.91m
	39°		>			0.58m	1.53m	2.17m
	10°x44°		>			0.34mx0.41m	1.87mx1.00m	2.80mx1.35m

TECHNICAL DRAW



ACCESSORIES

DESCRIPTION	CODE
2-pole cable extra length L=2m (total 4m, single colour)	CABL0202P
2-pole cable extra length L=4m (total 6m, single colour)	CABL0402P
2-pole cable extra length L=6m (total 8m, single colour)	CABL0602P
2-pole cable extra length L=8m (total 10m, single colour)	CABL0802P
2-pole cable extra length L=10m (total 12m, single colour)	CABL1002P
6-pole cable extra length L=2m (total 4m, RGB)	CABL0206P
6-pole cable extra length L=4m (total 6m, RGB)	CABL0406P
6-pole cable extra length L=6m (total 8m, RGB)	CABL0606P
6-pole cable extra length L=8m (total 10m, RGB)	CABL0806P
Flange, diameter 80mm in stainless steel (316)	TRN00004
Flange trim diameter 80mm in brass	TRN00226
Flange trim diameter 120mm within fixing holes (anticorrosion aluminium)	TRN00159
Square flange trim (anticorrosion aluminium)	TRN00262
Square flange trim in brass	TRN00263
Mounting kit with spring	TRN00247
IP68 Paguro 5665 Junction box - 2x2.5 mmq parallel	CMP00850
IP68 Paguro 5650/3 Junction box - 3x2.5 mmq parallel	CMP00851
IP68 Paguro 5664/20 Junction box - 4x2.5 mmq parallel	CMP00852
IP68 Paguro 5633/6 Junction box - 6x0,5 mmq parallel	CMP00853
IP68 Paguro 5663 Junction box - 3x6 mmq - connection in series/parallel	CMP00854