



DESCRIPTION

Body in anodized corrosion-resistant aluminium. Extra-clear safety glass with a thickness of 6mm, ceramic-coated rear. Adjustable from 0° to 105° with graduated bracket. Bracket rotatable by 180°. Electrical connection with screw connector. Anti-condensation compensation valve.

High power LED module on printed circuit board with metal base. Electronic components, dimmable with external dimmer. Highly efficient secondary lens.

IP67 protection rating: total protection from dust and the effects of immersion in water.

APPLICATIONS

The products in the Dubai series are suitable for the universal lighting of outdoor environments.

Through different configurations of the secondary optics, they can be used as floodlights, as washers and wall washers.

The different product versions make their use extremely versatile; they can be used, for example, to illuminate vegetation or for the diffused lighting of the facades of buildings. Equipped, as accessories, with adjustable bracket and spike for fixing into the ground, they are suitable for both permanent and temporary installation.

TECHNICAL SPECIFICATIONS

No and Type of LED	4x CREE X-PE / XP-G 3x Seoul P5II
Power supply	350 / 700mA
Body material	anticorodal anodized aluminium
Electrical connection	M12 connector
Cooling	passive
Installation	any position
Protection rating	IP67
Class	III
Weight	0,5Kg
Dimensions	76 x 78 x h117mm
Maximum power consumption	9,6W
Operating temperature	-40 / +85°C
Average product life	35.000hours

CHARACTERISTICS AND ADVANTAGES

- High efficiency (>100 lm/W).
- ANSI compliant binning.
- Excellent lumen maintenance and colour stability.
- Extensive dimming range – fully dimmable.
- Highly efficient secondary optics.
- Long life and reduced maintenance costs.
- Ecological, no disposal restrictions.

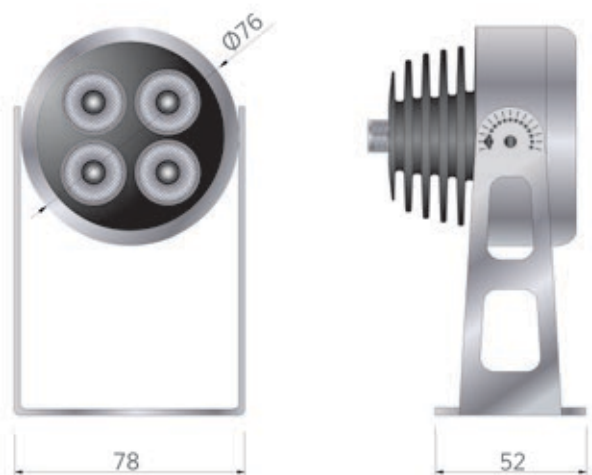
OPTICS, COLOUR TEMPERATURE AND RCI

10°	21°	39°	10°x44°	25°	40°
					OTHER COLOURS ON REQUEST
2800K	3200K	4200K	5500K	RGB	
>90	>85				
CRI	CRI				

OPTICAL SPECIFICATIONS

Optics	Code	Color temperature	Emission (Lumens)	LED Efficiency (lm/W)	CRI	Typical illuminance (Lux)		
						at 1m	at 2m	at 3m
10°	dB4-04700010WW2	White 2800K	680lm	100lm/W	>90	13073lx	3322lx	1476lx
	dB4-04700010WW3	White 3200K	720lm	105lm/W	>85			
	dB4-04700010NW4	White 4200K	760lm	110lm/W	>80			
21°	dB4-04700010CW5	White 5500K	880lm	130lm/W	>80	17059lx	4334lx	1926lx
	dB4-04700021WW2	White 2800K	680lm	100lm/W	>90			
	dB4-04700021WW3	White 3200K	720lm	105lm/W	>85			
39°	dB4-04700021NW4	White 4200K	760lm	110lm/W	>80	2522lx	632lx	281lx
	dB4-04700021CW5	White 5500K	880lm	130lm/W	>80			
	dB4-04700039WW2	White 2800K	680lm	100lm/W	>90			
10°x44°	dB4-04700039WW3	White 3200K	720lm	105lm/W	>85	943lx	238lx	106lx
	dB4-04700039NW4	White 4200K	760lm	110lm/W	>80			
	dB4-04700039CW5	White 5500K	880lm	130lm/W	>80			
Diameter (m)	dB4-04700x44WW2	White 2800K	680lm	100lm/W	>90	2803lx	704lx	313lx
	dB4-04700x44WW3	White 3200K	720lm	105lm/W	>85			
	dB4-04700x44NW4	White 4200K	760lm	110lm/W	>80			
	dB4-04700x44CW5	White 5500K	880lm	130lm/W	>80			
Diameter (m)	10°		>			0.28m	0.73m	1.00m
	21°		>			0.32m	1.28m	1.91m
	39°		>			0.58m	1.53m	2.17m
	10°x44°		>			0.34mx0.41m	1.87mx1.00m	2.80mx1.35m

TECHNICAL DRAW



ACCESSORIES

DESCRIPTION	CODE
Cable with M12 2-pole connector L=2m (single colour)	CMP00487
Cable with M12 2-pole connector L=5m (single colour)	CMP00488
Cable with M12 2-pole connector L=10m (single colour)	CMP00489
Cable with M12 2-pole connector L=15m (single colour)	CMP00490
Cable with M12 6-pole connector L=2m (RGB)	CMP00482
Cable with M12 6-pole connector L=2m (RGB)	CMP00482
Cable with M12 6-pole connector L=5m (RGB)	CMP00483
Cable with M12 6-pole connector L=10m (RGB)	CMP00484
Cable with M12 6-pole connector L=15m (RGB)	CMP00485
Adjustable spike kit for ground support	TRN00177
IP68 Paguro 5665 Junction box - 2x2.5 mmq parallel	CMP00850
IP68 Paguro 5650/3 Junction box - 3x2.5 mmq parallel	CMP00851
IP68 Paguro 5664/20 Junction box - 4x2.5 mmq parallel	CMP00852
IP68 Paguro 5633/6 Junction box - 6x0,5 mmq parallel	CMP00853
IP68 Paguro 5663 Junction box - 3x6 mmq - connection in series/parallel	CMP00854