



DESCRIPTION

Body in 316 stainless steel. Extra-clear safety glass with a thickness of 6mm, ceramic-coated rear. Adjustable from 0° to 135° with bracket, which rotates by 360°.

Equipped with 5m connection cable; an extension of up to 30m is available on request. High power LED module on printed circuit board with metal base. Electronic components, dimmable with external dimmer. Highly efficient secondary lens.

IP68 protection rating: total protection from dust and the effects of permanent immersion in water to a depth of 1m.

APPLICATION

The Sub2 spotlight is suitable for use in water pools and fountains, situations in which the atmosphere created by the beam of light is more important than the power of the source.

Thanks to its small size, it can be installed even in small spaces and its presence is completely unobtrusive.

TECHNICAL SPECIFICATIONS

No and Type of LED	1x CREE X-PE/XP-G 1x Seoul P5II
Power supply	350 / 700mA
Body material	316 Stainless steel
Electrical connection	neoprene cable L=5 m
Cooling	passive
Installation	any position
Protection rating	IP68
Class	III
Weight	0,35Kg
Dimensions	Ø30 x h65mm
Maximum power consumption	2,4W
Operating temperature	-40 / +85°C
Average product life	35.000hours

CHARACTERISTICS AND ADVANTAGES

- High efficiency (>100 lm/W).
- ANSI compliant binning.
- Excellent lumen maintenance and colour stability.
- Extensive dimming range – fully dimmable.
- Highly efficient secondary optics.
- Long life and reduced maintenance costs.
- Ecological, no disposal restrictions.

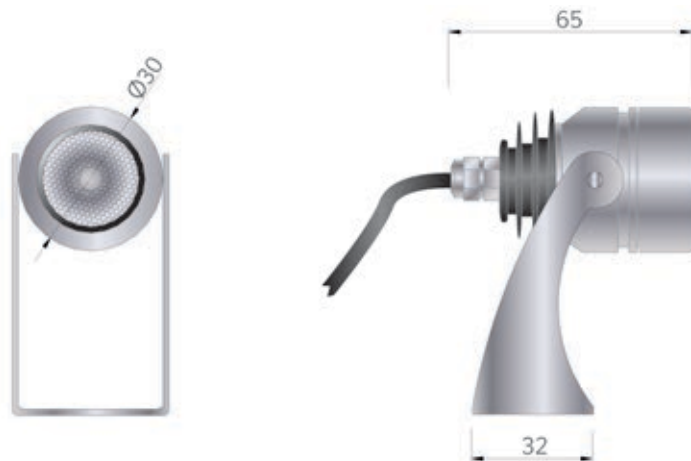
OPTICS, COLOUR TEMPERATURE AND RCI

10°	21°	39°	10°x44°	25°	40°
					OTHER COLOURS ON REQUEST
2800K	3200K	4200K	5500K	RGB	
>90	>85				
CRI	CRI				

OPTICAL SPECIFICATIONS

Optics	Code	Color temperature	Emission (Lumens)	LED Efficiency (lm/W)	CRI	Typical illuminance (Lux)			
						at 1m	at 2m	at 3m	
10°	SUB2-01700010WW2	White 2800K	170lm	100lm/W	>90	3377lx	837lx	371lx	
	SUB2-01700010WW3	White 3200K	180lm	105lm/W	>85				
	SUB2-01700010NW4	White 4200K	190lm	110lm/W	>90				
	SUB2-01700010CW5	White 5500K	220lm	130lm/W	>90	4412lx	1094lx	483lx	
	21°	SUB2-01700021WW2	White 2800K	170lm	100lm/W	>90	637lx	159lx	71lx
		SUB2-01700021WW3	White 3200K	180lm	105lm/W	>85			
SUB2-01700021NW4		White 4200K	190lm	110lm/W	>90				
	SUB2-01700021CW5	White 5500K	220lm	130lm/W	>90	832lx	207lx	92lx	
	39°	SUB2-01700039WW2	White 2800K	170lm	100lm/W	>90	241lx	60lx	27lx
		SUB2-01700039WW3	White 3200K	180lm	105lm/W	>85			
SUB2-01700039NW4		White 4200K	190lm	110lm/W	>90				
	SUB2-01700039CW5	White 5500K	220lm	130lm/W	>90	315lx	79lx	35lx	
	10°x44°	SUB2-01700x44WW2	White 2800K	170lm	100lm/W	>90	713lx	177lx	79lx
		SUB2-01700x44WW3	White 3200K	180lm	105lm/W	>85			
SUB2-01700x44NW4		White 4200K	190lm	110lm/W	>90				
SUB2-01700x44CW5		White 5500K	220lm	130lm/W	>90				
Diameter (m)	10°		>			0.24m	0.65m	0.92m	
	21°		>			0.27m	0.95m	1.44m	
	39°		>			0.45m	1.08m	1.62m	
	10°x44°		>			0.35mx0.39m	1.45mx0.68m	2.05mx0.87m	

TECHNICAL DRAW



ACCESSORIES

DESCRIPTION	CODE
IP68 Paguro 5665 Junction box - 2x2.5 mmq parallel	CMP00850
IP68 Paguro 5650/3 Junction box - 3x2.5 mmq parallel	CMP00851
IP68 Paguro 5664/20 Junction box - 4x2.5 mmq parallel	CMP00852
IP68 Paguro 5633/6 Junction box - 6x0,5 mmq parallel	CMP00853
IP68 Paguro 5663 Junction box - 3x6 mmq - connection in series/parallel	CMP00854