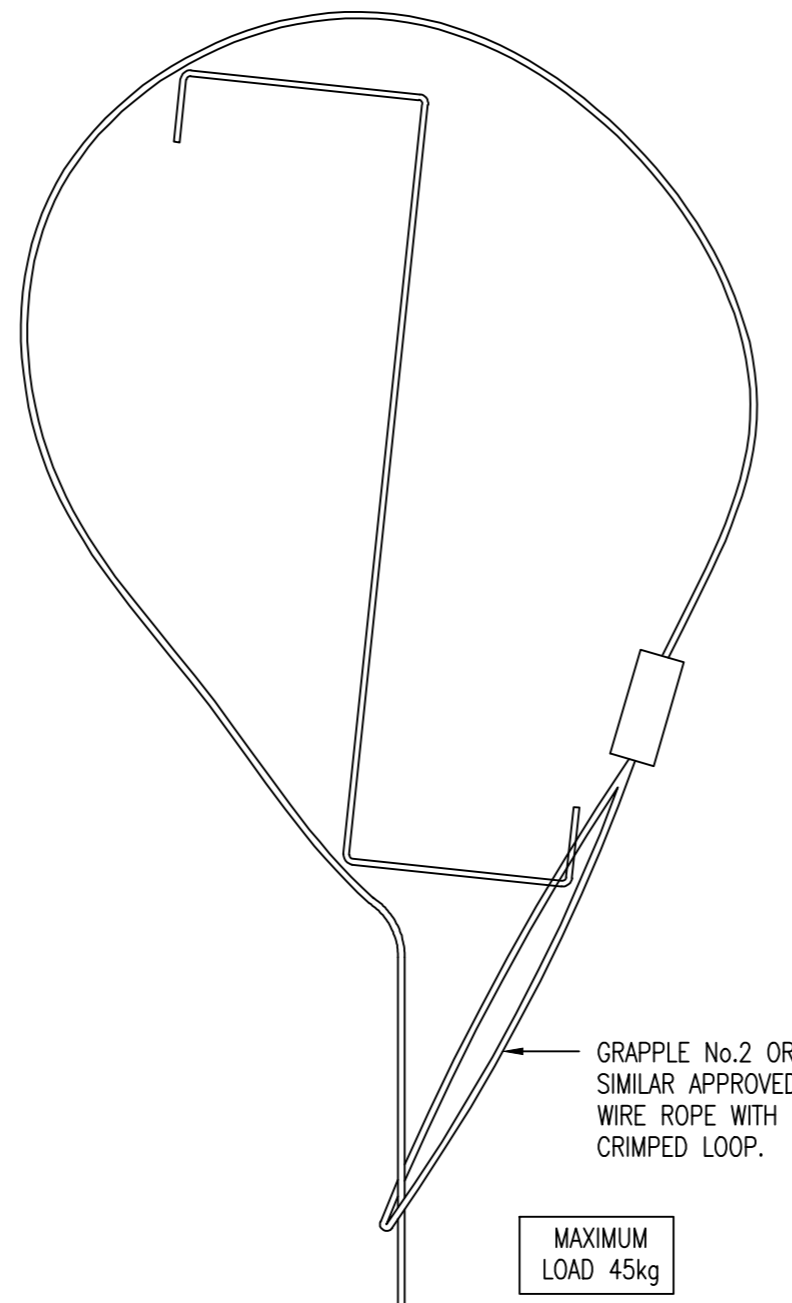


ALL PROPRIETARY FIXINGS TO BE INSTALLED IN ACCORDANCE WITH MANUFACTURERS' DETAILS AND SPECIFICATIONS WITH MAXIMUM LOADS AS NOTED.

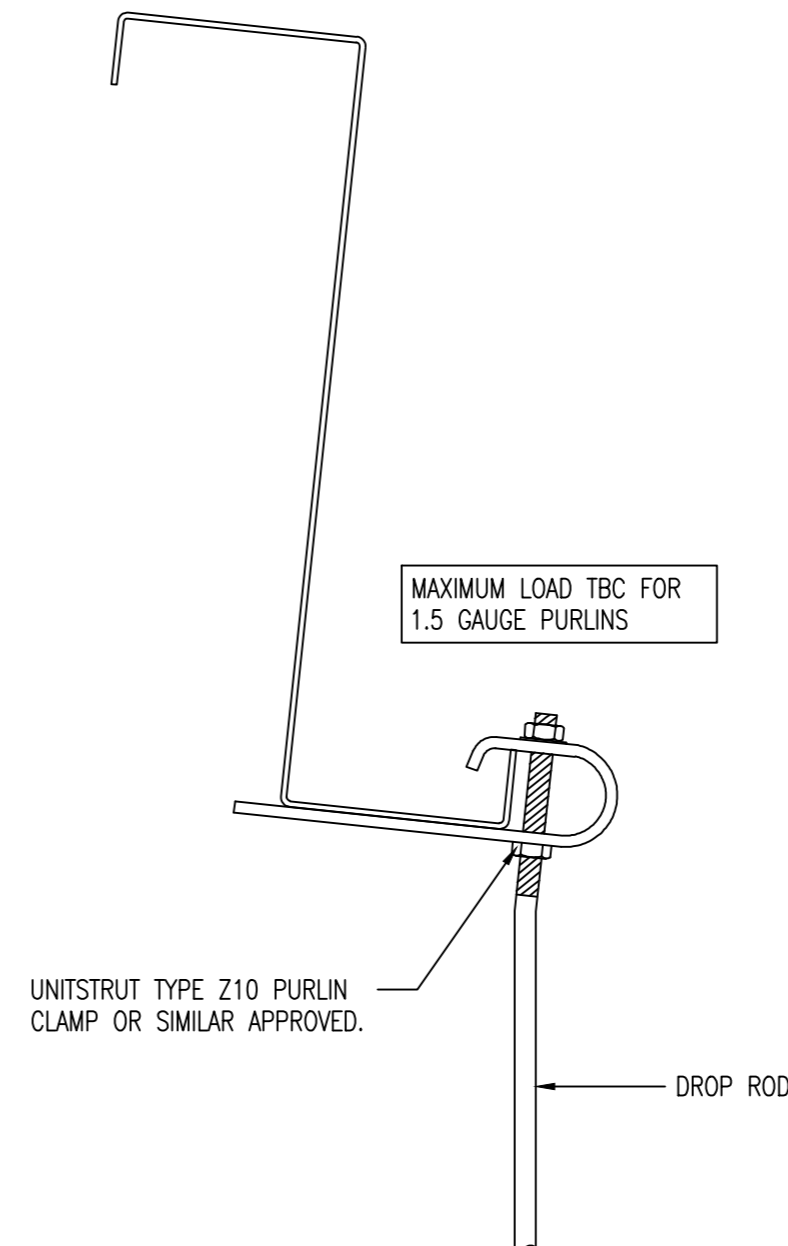
TYPICAL ROOF PURLIN

1:2



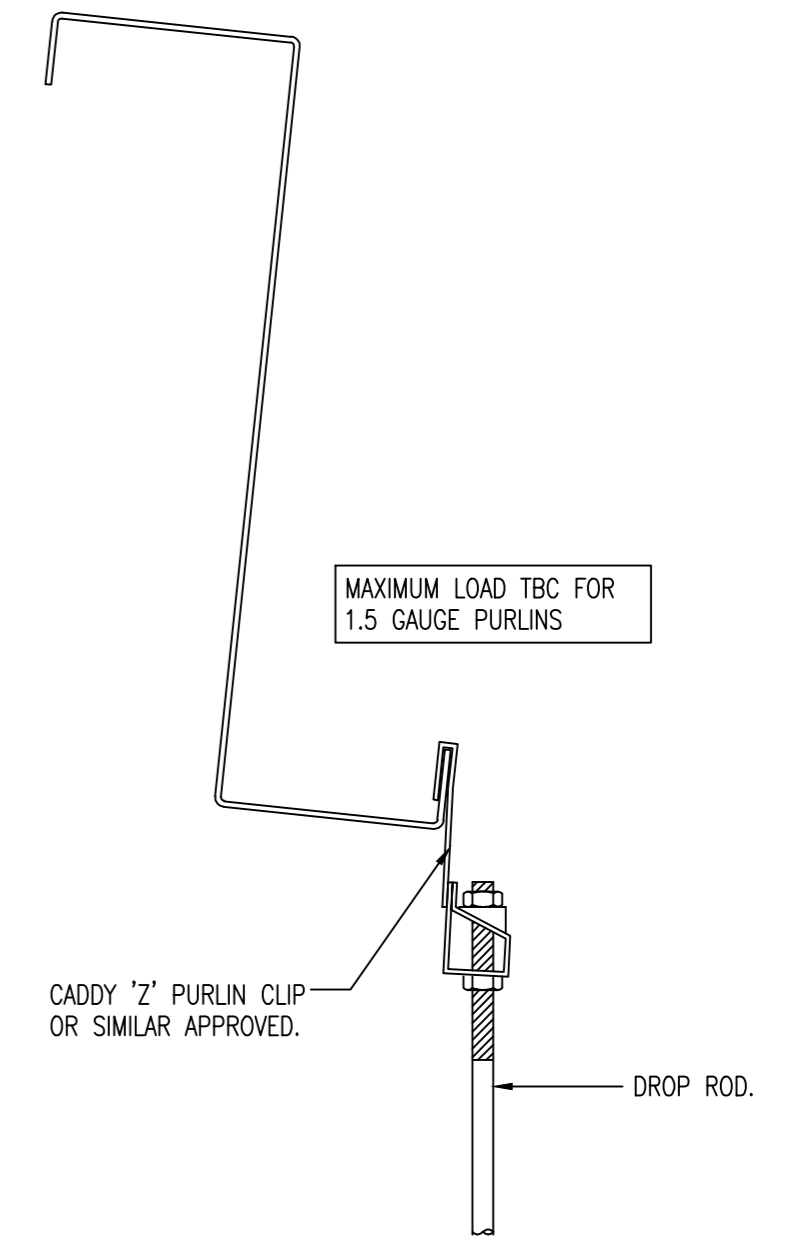
LIGHT DUTY DETAIL - OPTION 1

1:2



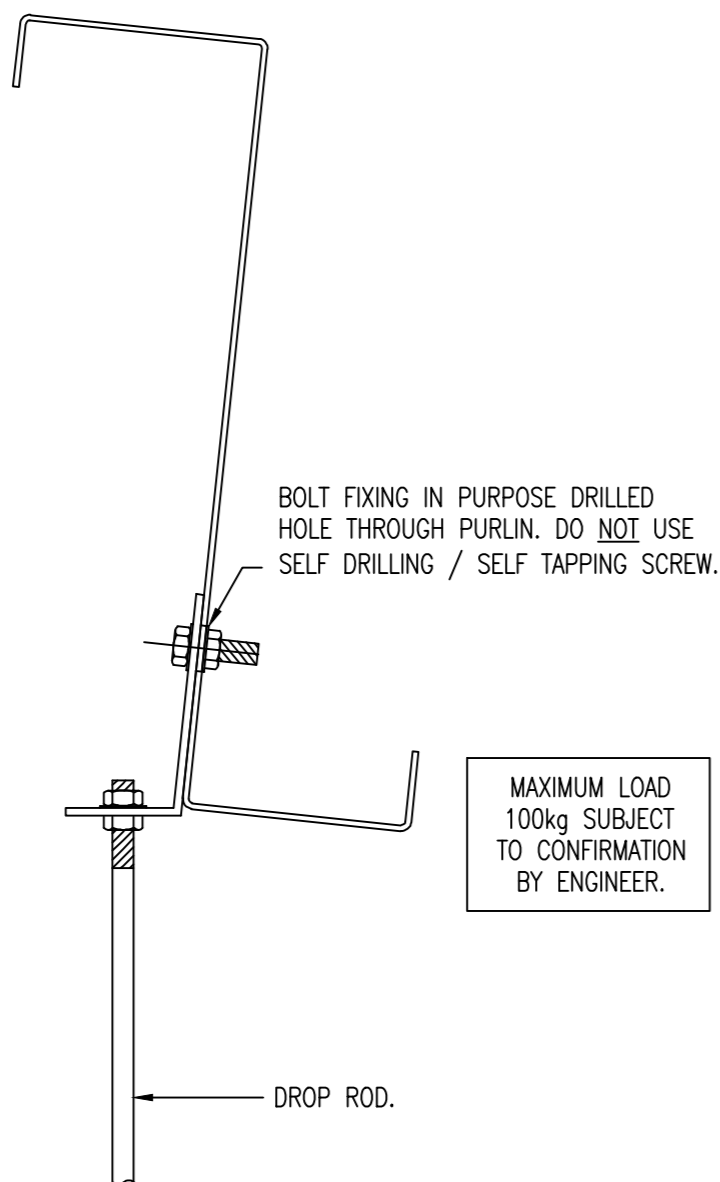
LIGHT DUTY DETAIL - OPTION 2

1:2



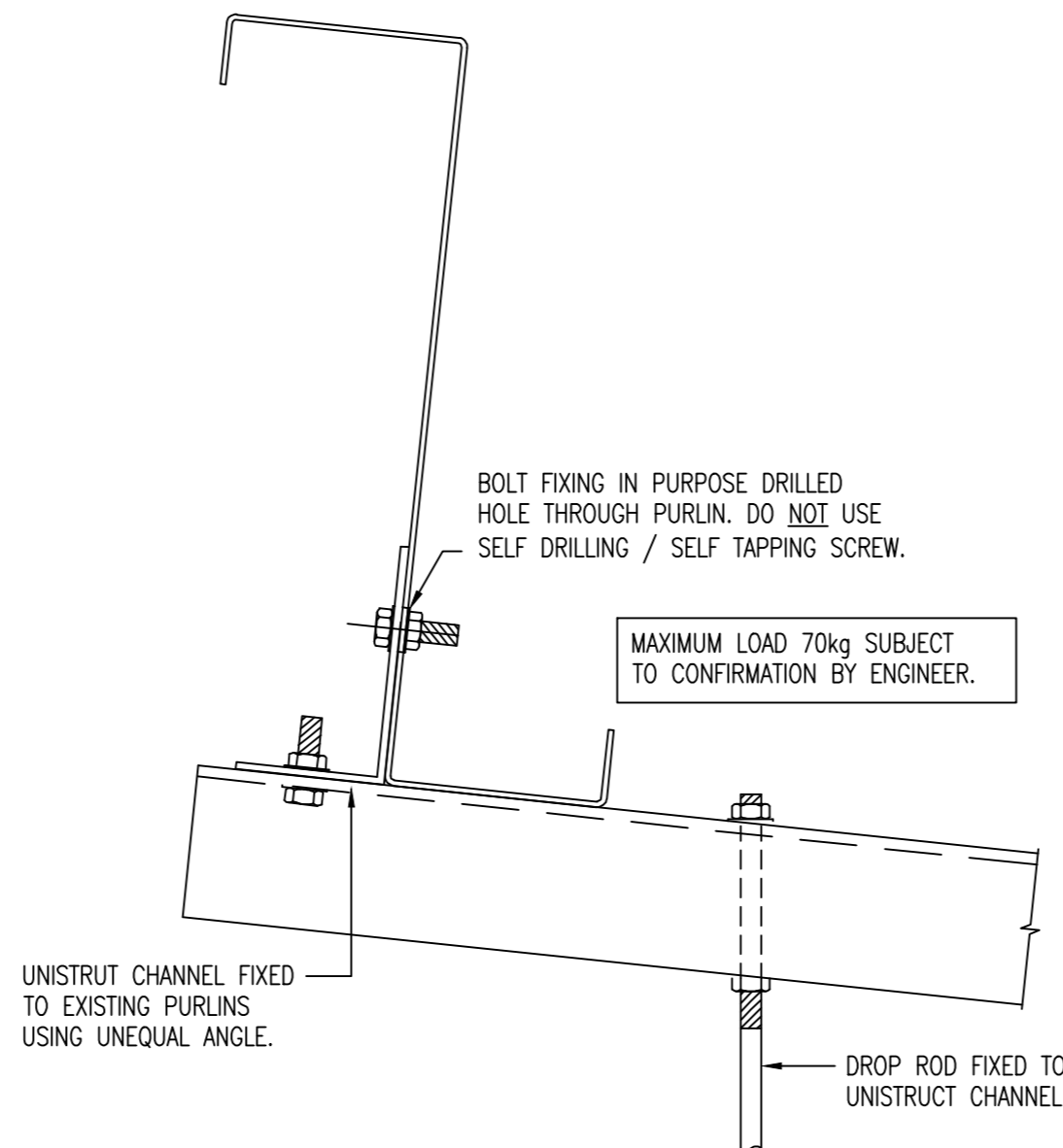
LIGHT DUTY DETAIL - OPTION 3

1:2



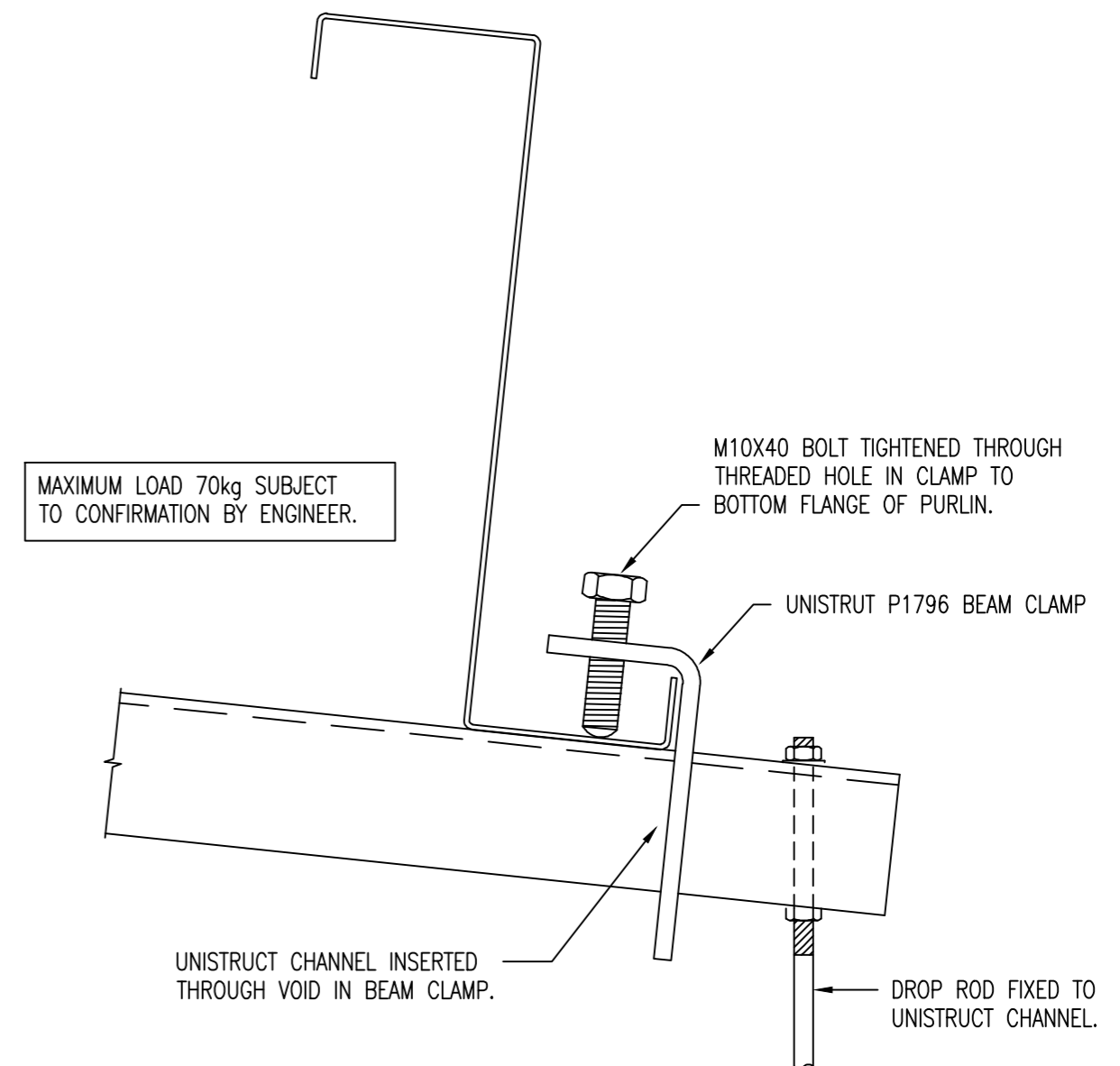
HEAVY DUTY DETAIL - OPTION 1

1:2



HEAVY DUTY DETAIL - OPTION 2

1:2



HEAVY DUTY DETAIL - OPTION 3

1:2