



AU-DMX090/060 DMX RGB SUB CONTROLLER

**PLEASE READ THESE INSTRUCTIONS CAREFULLY BEFORE INSTALLATION
LEAVE A COPY FOR THE USER / MAINTENANCE ENGINEER FOR FUTURE REFERENCE**

IMPORTANT INSTALLATION INFORMATION

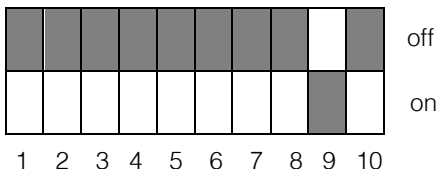
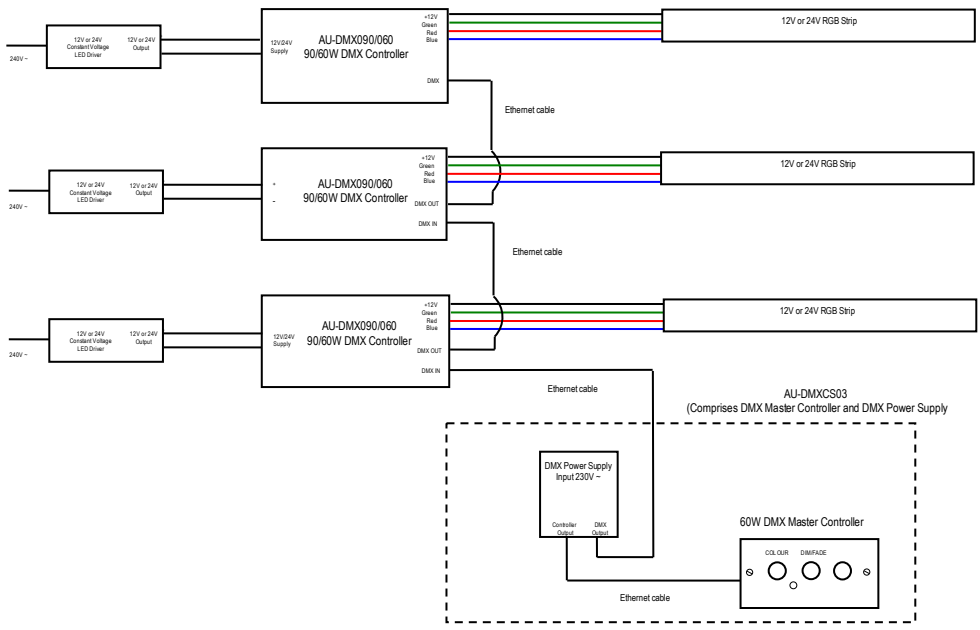
- Installation should be carried out in accordance with the latest edition of the National Wiring Regulations. If in doubt, consult a qualified electrician.
- The AU-DMX090/060 is a sub controller unit that will accept a standard DMX signal and convert it to an RGB output at 12V or 24V dependent on the **Constant Voltage** LED Driver used.
- AU-DMX090 will control up to 90Watts of LED Strip/flex. AU-DMX060 will control up to 60Watts of LED Strip/flex.
- DMX inputs/output with RJ45 sockets.
- Ethernet RJ45 Cables (not supplied) are required to connect to a DMX system controller and to connect to other AU-DMX090/060 interface units.
- The controller operates at **12VDC** or **24V DC**. A DC **Constant Voltage** LED Driver must be used (not included).
- Ensure that ALL electrical connections are tight with no loose strands, including factory connections.
- Ensure that polarity and all connections are correct before energising the mains supply.

INSTALLATION INSTRUCTIONS

Isolate from the mains supply before installation or maintenance.

1. Note: The LED driver required is dependent on the supply voltage for the LED strip/flex, i.e. either 12V or 24V.
2. Connect a DC **Constant Voltage** Driver to the AU-DMX090/060 12/24V input supply terminals. Ensure that the polarity is correct.
3. Please also refer to the instructions provided with the DC **Constant Voltage** LED Driver.
4. Connect from the main DMX control unit, i.e. AU-DMXCS03 to the AU-DMX090/060 using an RJ45 Ethernet cable.
5. Connect from the AU-DMX090/060 to the LED flex/strip, 12V/24V +ve, R G B connections; ensure that the polarity is correct. See instructions provided with the strip/flex for connection details.
6. AU-DMX090/060 can be connected together 'DMX Out' to 'DMX in' to give synchronised control to multiple lengths of strip/flex.
7. The AU-DMX090/060 is a sub controller only. The DMX functions, i.e. static colours and colour change modes are dependent on DMX control system used.

Diagram 1



TOGGLES	RESULT
All off	Colour scroll
All on, 8-9 off	White
All on, 8 off	Blue
All on, 9 off	Green
All on	Red

TOGGLES	RESULT
All off, 9 on	Chanel 1
All off, 7 on	Chanel 2
All off, 7, 8 and 9 on	Chanel 3
All off, 6 and 8 on	Chanel 4
All off, 9 and 10 on	Signal loading

Environmental Protection (W.E.E.E.) – Aurora's WEEE Reg.No. WEE/BG0130YX



Waste Electrical & Electronic Equipment Regulations (WEEE) requires that any of our products showing this marking (left) must not be disposed of with other household or commercial waste. Aurora does not levy any WEEE disposal charges to its customers for affected WEEE related products. To prevent possible harm to the environment or human health from uncontrolled waste disposal, please separate any such product from other waste types and recycle it responsibly at your local facilities. Check with your Local Authority, Recycling Centre or retailer for recycling advice. If, when you purchased any Aurora product, your supplier included a WEEE disposal fee, you should then contact your supplier for advice on his takeback of the product for the correct disposal.

GUARANTEE

This product is guaranteed in the UK for a period of 1 year from the date of purchase. The guarantee is invalid in the case of improper use, installation or tampering. Should this product fail during the guarantee period it will be replaced free of charge, subject to correct installation and return of the faulty unit. Aurora does not accept responsibility for any installation costs associated with the replacement of this product. Your statutory rights are not affected. Aurora reserves the right to alter specifications without prior notice.