



**AU-ST106A, AU-ST110A**  
**24V DC IP68 SINGLE COLOUR FLEXIBLE LED STRIP LIGHT**

**PLEASE READ THESE INSTRUCTIONS CAREFULLY BEFORE INSTALLATION**  
**LEAVE A COPY FOR THE USER / MAINTENANCE ENGINEER FOR FUTURE REFERENCE**

**IMPORTANT INSTALLATION INFORMATION**

- Installation should be carried out in accordance with the latest edition of the I.E.E. Wiring Regulations.
- Only Qualified Electricians should install this luminaire.
- The LED Strip operates at 24V DC.
- Before commencing installation or maintenance, ensure electricity is switched off at the mains.
- Insure that ALL electrical connections are tight with no loose strands, including factory connections.
- IP68 – Protected against submersion in water.
- Note: All joints, end caps and connections maximum IP67.
- This product cannot be dimmed.
- AU-ST106A LED strip may be cut to length with cut points every 6 LEDs (approx. 165mm).
- AU-ST106A minimum cut length 165mm.
- AU-ST110A LED strip may be cut to length with cut points every 6 LEDs (approx. 100mm).
- AU-ST110A minimum cut length 100mm.
- For runs over 10m, individual lengths should be connected in parallel.
- Minimum bend radius 120mm.

**24V DC LED Flexible Strip Light and Accessories**

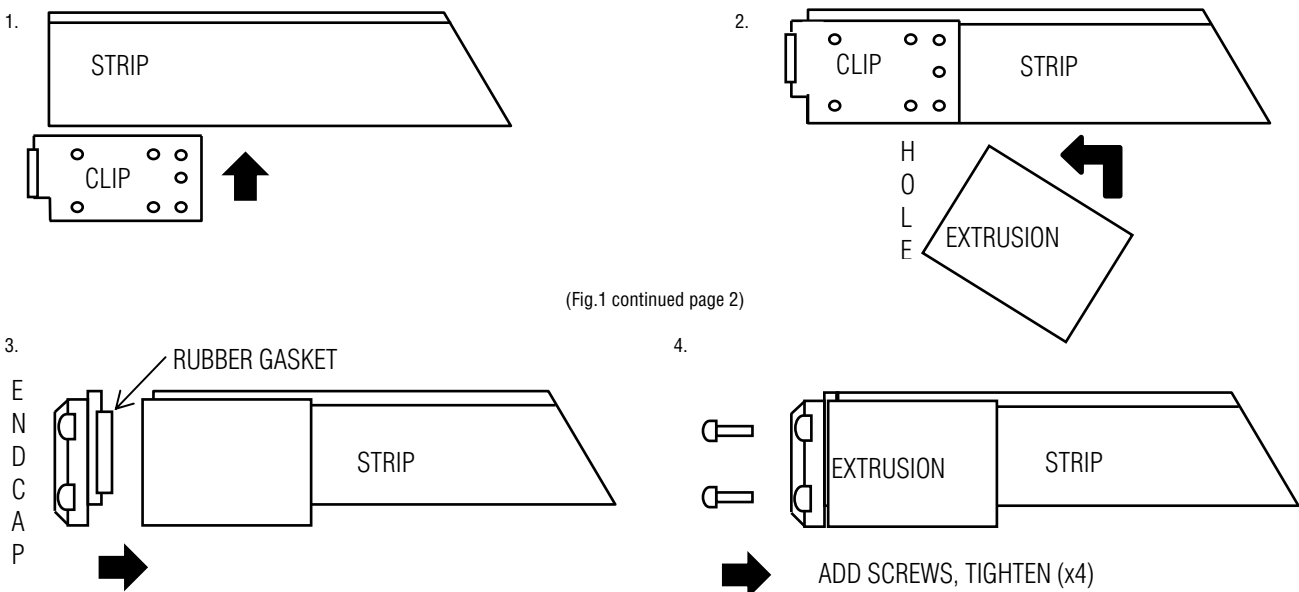
AU-ST106A	Round Top Flexible LED strip light (available in white/warm white/blue)	AU-ST110A	Flat Top Flexible LED strip light (available in white/warm white/blue)
AU-ST106ACK	LED Flex connector Kit	AU-ST110ACK	LED Flex connector Kit
AU-ST106CH1	500mm LED Flex channel accessory	AU-ST110ACH1	500mm LED Flex channel accessory
AU-ST106CH2	50mm LED Flex mini channel accessory	AU-ST110ACH2	50mm LED Flex mini channel accessory
AU-ST106CH3	1m LED Flex channel accessory	AU-ST110ACH3	1m LED Flex channel accessory

**INSTALLATION INSTRUCTIONS**

**Before commencing installation or maintenance, ensure electricity is switched off at the mains.**

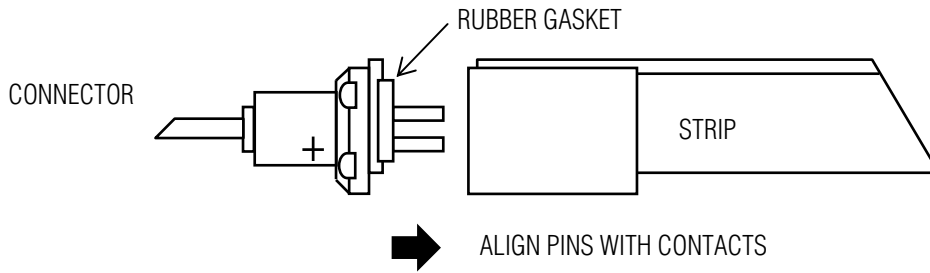
- To connect the lead and end caps, see also Fig. 1:
  - Ensure strip is cut smoothly at the indicated cutting points only. Cuts must be at 90° angles.
  - Push metal clip onto end of flexible strip. Flanges should be pushed up against end surface.
  - Add extruded metal component over clip, making sure holes are facing outwards.
  - Offer up end cap with rubber gasket, align holes with extruded metal component.
  - For the connector, align flat pins with strip conductors and push into flexible strip. Positive pin should be at the bottom. Ensure rubber gasket is in place.
  - Add screws (x4) and tighten.
- The AU-ST106A Flex strip can be mounted using the AU-ST106CH1 channel, AU-ST106CH2 mini channel, and AU-ST106CH3 channel accessories.
- The AU-ST110A Flex strip can be mounted using the AU-ST110ACH1 channel, AU-ST110ACH2 mini channel, and AU-ST110ACH3 channel accessories.

Fig. 1



To add connector, follow steps 1 and 2, and then steps 5 and 6:

5.



6.

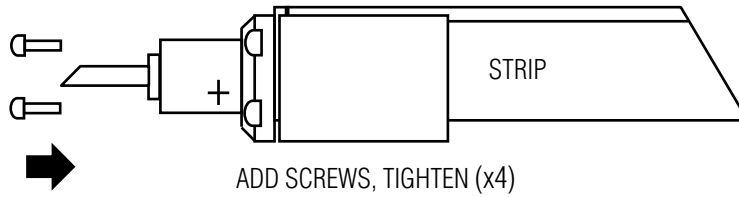
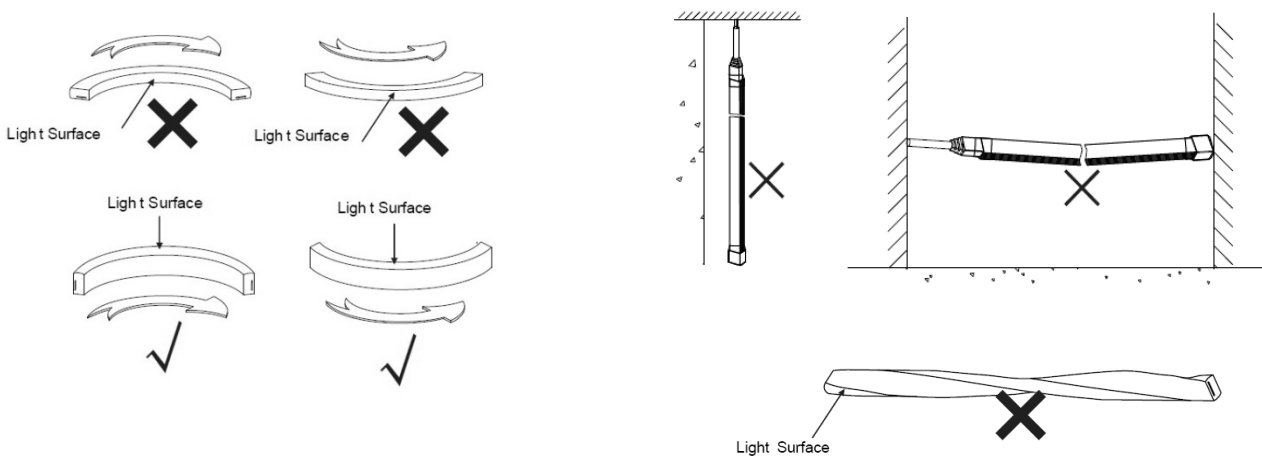


Fig. 2

Other installation warnings and limitations:



**Environmental Protection (W.E.E.E.) – Aurora’s WEEE Reg.No. WEE/BG0130YX (UK Only)**



Waste Electrical & Electronic Equipment Regulations (WEEE) requires that any of our products showing this marking (left) must not be disposed of with other household or commercial waste. Aurora does not levy any WEEE disposal charges to its customers for affected WEEE related products. To prevent possible harm to the environment or human health from uncontrolled waste disposal, please separate any such product from other waste types and recycle it responsibly at your local facilities. Check with your Local Authority, Recycling Centre or retailer for recycling advice. If, when you purchased any Aurora product, your supplier included a WEEE disposal fee, you should then contact your supplier for advice on his take back of the product for the correct disposal.

**WARRANTY**

See [www.auroralighting.com](http://www.auroralighting.com) for full details of warranty and Extended Warranty Terms and Conditions. The warranty is invalid in the case of improper use, tampering, and removal of the Q.C. date label, installation in an improper working environment or installation not according to the current edition of the National Wiring Regulations. Should this product fail during the warranty period it will be replaced free of charge, this is subject to correct installation and return of the faulty product. Aurora does not accept responsibility for any installation costs associated with the replacement of this product. This warranty is in addition to the statutory rights in your country of purchase. Aurora reserves the right to alter specifications without prior notice.