





COLOUR CHANGING LED STRIP LIGHT



**PLEASE READ THESE INSTRUCTIONS CAREFULLY BEFORE INSTALLATION
LEAVE A COPY FOR THE USER / MAINTENANCE ENGINEER FOR FUTURE REFERENCE**

IMPORTANT INSTALLATION INFORMATION

- Installation should be carried out in accordance with the latest edition of the I.E.E. Wiring Regulations.
- Before commencing installation or maintenance, ensure electricity is switched off at the mains.
- Keep the LED Driver and RGB Controller away from direct sources of heat such as Low Voltage lamps.
- Ensure that ALL electrical connections are tight with no loose strands, including factory connections.
-  Suitable for mounting on normally flammable surfaces.
-  Indoor use only.

Required Components for installing up to a 7.5m length LED strip

AU-ST101RGB 5m RGB LED Strip (up to 7.5m)

AU-LED50W 48W 12V DC Constant Voltage LED Driver

AU-LED120 12V DC Remote controlled LED RGB Controller with handset remote

Required Components for installing a 5m – 15m length of LED strip

2 x AU-ST101RGB 15m RGB LED Strip

AU-LED10012CV 96W 12V DC Constant Voltage LED Driver

AU-LED120 12V DC Remote controlled LED RGB Controller with handset remote

INSTALLATION INSTRUCTIONS FOR RGB LED STRIP LIGHT (up to 7.5m) See Figure 1.

1. Isolate from the mains supply before installation or maintenance.
2. Ensure that the surface that the strip will be applied to is clean and free from grease
3. Peel of the backing tape and fix the strip into the required position using the self adhesive backing. Locate the AU-LED120 RGB controller into position so that the flying leads from the strip can be connected. The controller has mounting brackets to allow fixing as required.
4. Connect the strip leads to the controller. Ensure that the RGB and V+ wires are connected correctly, see Fig 1.
5. Connect the 12v output lead of AU-LED50W LED driver to the 'DC in' connector of the RGB Controller.
6. Connect the 13A plug of AU-LED50W Driver to the mains supply.
7. The strip is controlled by the hand remote.
8. **On/Off** switches the LED strip on and off.
9. The **mode** button 'steps through the colours and colour change mode. Seven fixed colours can be set, red, green, yellow, blue, violet, cyan and white.

10. There are four colour change modes. On initial 'turn on' the LED's will be red, step through the fixed colours using the **mode** button 'until the LED's are set to white. Press **mode** again for the first colour change mode.
11. The speed of change is controlled by buttons **up** (faster) and **down** (slower).
12. Use the **mode** button to step through the remaining modes.

INSTALLATION INSTRUCTIONS FOR RGB LED STRIP LIGHT (up to 15m) See Figure 2.

13. Isolate from the mains supply before installation or maintenance.
14. Ensure that the surface that the strip will be applied to is clean and free from grease
15. Peel of the backing tape of each strip and fix to the required positions.
16. Locate the AU-LED120 RGB controller into position so that the flying leads from LED strip 1 can be connected. The controller has mounting brackets to allow fixing as required.
17. Connect the LED strip leads to the controller. Ensure that the RGB and V+ wires are connected correctly.
18. Connect the 12v output of the AU-LED10012CV LED driver to the 'DC in' connector of the RGB Controller.
19. Connect the AU- LED10012CV LED Driver to the mains supply.
20. The strip is controlled by the hand remote; see 8 - 12 above for setting LED colours and modes.

Figure 1
Installation up to 7.5m of LED Strip

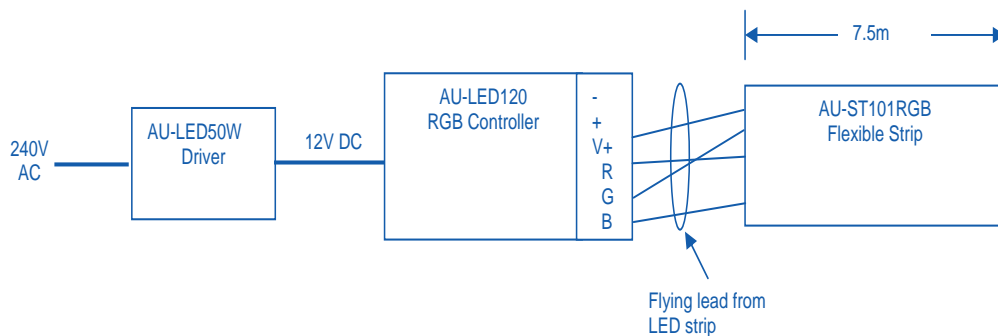
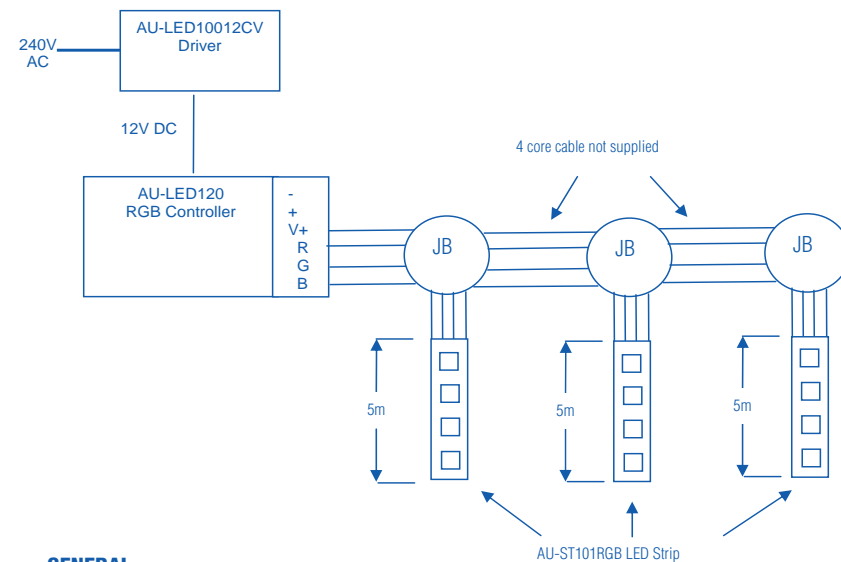


Figure 2
Installation up to 15m of LED Strip



GENERAL

- EMC compliance – EN 55015, EN 6100, EN 61547
- Safety compliance – EN 61347
- DIMMING is not possible.

Environmental Protection (W.E.E.E.) – Aurora's WEEE Reg.No. WEE/BG0130YX



Waste Electrical & Electronic Equipment Regulations (WEEE) requires that any of our products showing this marking (left) must not be disposed of with other household or commercial waste. Aurora does not levy any WEEE disposal charges to its customers for affected WEEE related products. To prevent possible harm to the environment or human health from uncontrolled waste disposal, please separate any such product from other waste types and recycle it responsibly at your local facilities. Check with your Local Authority, Recycling Centre or retailer for recycling advice. If, when you purchased any Aurora product, your supplier included a WEEE disposal fee, you should then contact your supplier for advice on his takeback of the product for the correct disposal.

GUARANTEE

This product is guaranteed in the UK for a period of 1 year from the date of purchase. The guarantee is invalid in the case of improper use, installation or tampering. Should this product fail during the guarantee period it will be replaced free of charge, subject to correct installation and return of the faulty unit. Aurora does not accept responsibility for any installation costs associated with the replacement of this product. Your statutory rights are not affected. Aurora reserves the right to alter specifications without prior notice.