





**LED FLAT PANEL**

**PLEASE READ THESE INSTRUCTIONS CAREFULLY BEFORE INSTALLATION  
LEAVE A COPY FOR THE USER / MAINTENANCE ENGINEER FOR FUTURE REFERENCE**

**IMPORTANT INSTALLATION INFORMATION**

 <p><b>WARNING RISK OF ELECTRIC SHOCK</b></p> <ul style="list-style-type: none"> <li>• Disconnect power before performing installation or maintenance</li> <li>• Verify that supply voltage is correct by comparing it with the luminaire label information.</li> <li>• Make all electrical grounded connections in accordance with the latest edition of the National Electric Code (NEC) and applicable local code requirements.</li> <li>• If the supply wire is damaged. It must be replaced by the manufacturer or its service agent or a similar qualified person in order to avoid a hazard.</li> <li>• All wiring connections should be capped with UL approved wire connections.</li> <li>• To reduce the risk of fire or electrical shock, do not expose this apparatus to rain or moisture.</li> </ul>	 <p><b>WARNING CAUTION</b></p> <ul style="list-style-type: none"> <li>• Suitable for mounting on normally flammable surfaces.</li> <li>• Do not dispose of electrical appliances as unsorted municipal waste, use separate collection facilities.</li> <li>• If electrical appliances are disposed of in landfill or dumps, hazardous substances can be damaging to health and well-being.</li> <li>• Contact your local government for information regarding the collection system available.</li> <li>• This device is not intended for use with emergency exit fixtures or emergency exit lights.</li> <li>• To reduce the risk of electrical shock, do not remove cover and caps, fitting must be grounded.</li> <li>• No user-serviceable parts inside.</li> <li>• Do not use when enclosure is broken.</li> <li>• To prevent wiring damage or abrasion does not expose wiring to edges of sheet metal or other sharp objects.</li> <li>• Damp Location.</li> <li>• This product must be installed in accordance with the applicable installation code by a person familiar with the construction and operation of the product and hazards involved</li> <li>• Vapor barrier must be suitable for 90°C</li> </ul>
 <p><b>WARNING RISK OF BURNS</b></p> <ul style="list-style-type: none"> <li>• Do not exceed maximum wattage on luminaire label.</li> <li>• Follow all manufacturer's warnings and recommendations for the driver type, mounting position, methods, replacements and recycling.</li> </ul>	 <p><b>WARNING RISK OF FIRE</b></p> <ul style="list-style-type: none"> <li>• Keep any combustible and other materials that can burn away from the luminaires.</li> <li>• Incorrect installation may result in electrical shock or a risk of a fire</li> </ul>

**For Models**

1x4 (40W)	AR-LP114P4DD/35	AR-LP114P4DD/40	AR-LP114P4DD/50
2x2 (30W)	AR-LP122P3DD/35	AR-LP122P3DD/40	AR-LP122P3DD/50
2x2 (40W)	AR-LP122P4DD/35	AR-LP122P4DD/40	AR-LP122P4DD/50
2x4 (40W)	AR-LP124P4DD/35	AR-LP124P4DD/40	AR-LP124P4DD/50
2x4 (50W)	AR-LP124P5DD/35	AR-LP124P5DD/40	AR-LP124P5DD/50

**IMPORTANT: READ CAREFULLY BEFORE INSTALLING FIXTURE. RETAIN FOR FUTURE REFERENCE.**

**GENERAL:**

**INSTALLATION INSTRUCTIONS:**

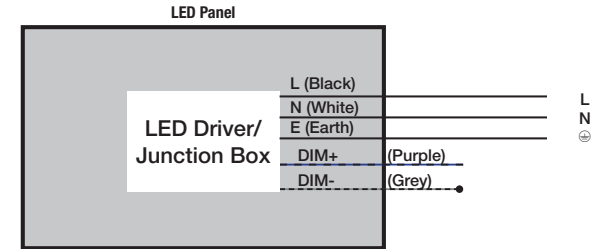
1. Turn off main power before installing.
2. Remove the ceiling panel or fluorescent fixture and disconnect wiring and any mounting brackets that were used if any.
3. Fix safety cable mounting brackets to the LED panel.
5. Remove the junction box cover on the back of the LED panel.
4. Connect the Line, Neutral and Ground wires from the supply side to the LED driver inside the junction box through the supply side knockout hole using an appropriate connector to secure the supply line to the junction box. Additional steps are required for dimming models (See Page 3).
6. Replace the cover on the junction box. Fit the flat LED panel into the ceiling and attach safety cable to safety cable mounting brackets and secure the safety cable to the building per the requirements of local building codes or to meet local seismic requirements.
7. Turn on main power and test panel.

**2**

**DIMMABLE WIRING INSTRUCTIONS:**

Dimmable models come with an additional knockout hole in the junction box on the dimming side of the LED driver.

**3**



**Installation Guide**

**LED Panel light wiring installation**

1. Open the junction box of LED Panel.

2. Wiring: Disconnect the circuit, lead wires into the junction box; connect white wires, black wires and ground wires respectively in pair with wire caps, and make sure they are well connected.

3. Wiring for 0-10V dimmable LED Panel ( For non-dimmable LED Panel, please disregard this step )  
Lead dimming wires into the junction box, connect purple wires (DIM+) and gray wires(DIM-) respectively in pair with wire caps.

4. Lock the junction box after finishing the wiring.

**Recessed Installation**

1. Replace existing lighting fixture from ceiling with LED Panel.

2. Use the protective brackets for safety.

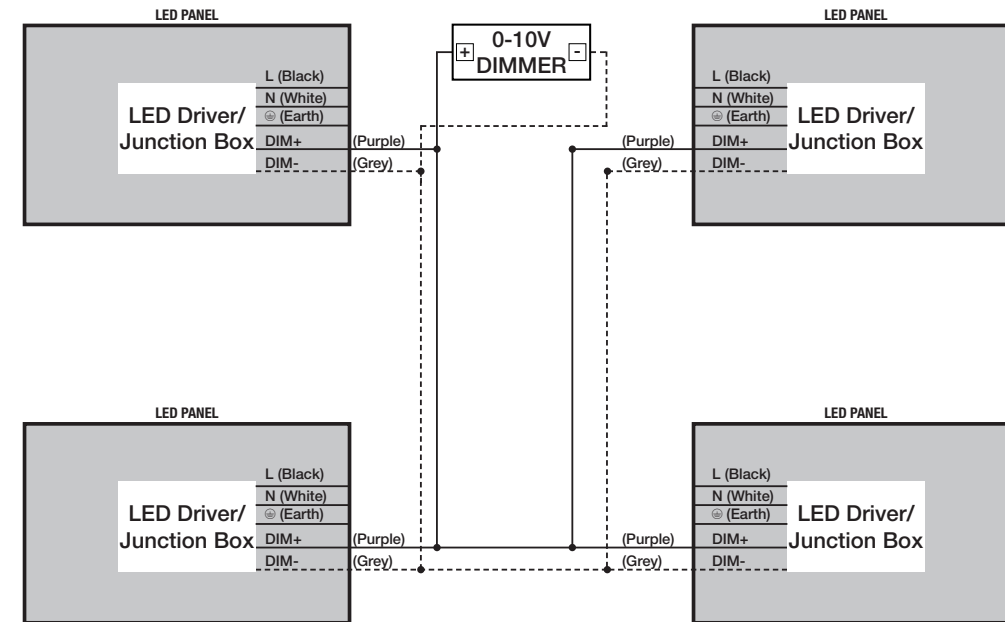
Alternative 1: [Diagram showing bracket installation]

Alternative 2: [Diagram showing bracket installation with steel rope]

Put this steel rope through hole of the bracket and fix it onto the brackets.

**The Installation must be carried out by an electrician.**

To wire multiple dimming panels to one standard 0-10v dimmer use the schematic below. The maximum number of panels that can be dimmed depends on the capability and capacity of the dimmer. Wire using plenum rated low voltage wire and appropriate connector. Each driver has a 2mA load on the control side, check the dimmer max control load. Aurora does not recommend connecting more than 20 panels together.



**WARRANTY**

This product has a warranty of period of 5 years from the date of purchase. The warranty is invalid in the case of improper use, installation, tampering, and removal of the Q.C. date label, installation in an improper working environment or installation not according to the current edition of the National Electric Code. Should this product fail during the warranty period it will be replaced free of charge, subject to correct installation and return of the faulty unit. Aurora does not accept responsibility for any installation costs associated with the replacement of this product. This warranty is in addition to the statutory rights in your country of purchase. Aurora reserves the right to alter specifications without prior notice.