



## User and Installation Instructions

# Lynx 400 Electric Convection Oven LCO

Please make a note of your product details for future use:

Date Purchased: \_\_\_\_\_

Model Number: \_\_\_\_\_

Serial Number: \_\_\_\_\_

Dealer: \_\_\_\_\_

\_\_\_\_\_

**LYNX 400**

Dear Customer,

Thank you for purchasing this **Lincat** Product.

This is just one of over 450 different items of catering equipment available from our range which is constantly being extended and improved. Details are available from your local distributor or direct from us. Used for the purposes for which it is intended, and with careful maintenance as outlined in this user Guide, your **Lincat** product will give years of trouble free use.

## ***IMPORTANT INFORMATION***



Please read all of the safety and operating instructions carefully before using this product. Please pay particular attention to all sections of this User Guide that carry warning symbols and notices.

---



### **WARNING!**

This is a Warning symbol. This symbol is used throughout the user guide whenever there is a risk of personal injury. Ensure that these warnings are read and understood at all times.

---



### **CAUTION!**

This is a Caution symbol. This symbol is used throughout the User Guide whenever there is a risk damaging your Lincat product. Ensure that these warnings are read and understood at all times.

---

# SAFETY INSTRUCTIONS



## WARNING!

Basic safety precautions, including the following, should be followed to reduce the risk of personal injury. Make sure you have read all of these instructions before switching on the unit. Keep this User Guide in a safe place for future reference for you and your staff.

### GENERAL

Do not clean the unit with a water jet.

Do not try to modify this product.

In the interest of hygiene, you should clean the product after unpacking and ensure all plastic coatings are removed before use.

Ensure that the electrical supply cable is not damaged. If the supply cable is damaged it should be replaced by Lincat Ltd or other suitably qualified persons, in order to avoid a hazard.

Disconnect the unit from the electric supply before servicing or undertaking any electrical maintenance.

This appliance must be earthed.

# TECHNICAL SPECIFICATION

Model		LCO
Width	mm	555
Depth	mm	488
Height	mm	371
Power Rating	watts	2500
Weight (net)	kg	25.5

# PACK CONTENTS

Electric convection oven (with electrical supply cable and 13 amp plug)  
2 x wire shelves  
User instructions  
Guarantee card

# INSTALLATION



Ensure that the unit is installed on a sound, level work surface, which is heat resistant e.g. stainless steel or Formica. Inform your personnel that external surfaces and base will become hot

For safety regulations, the plug must always be accessible.

### CONNECTING TO THE ELECTRICITY SUPPLY



Ensure that the voltage of your electricity supply corresponds to the serial plate details. The product is supplied with a 13 amp plug. To replace the plug, follow these instructions:

- Green and yellow wire to 'E' or (Earth)
- Blue wire to 'N' (Neutral)
- Brown wire to 'L' (Live)

# OPERATING INSTRUCTIONS

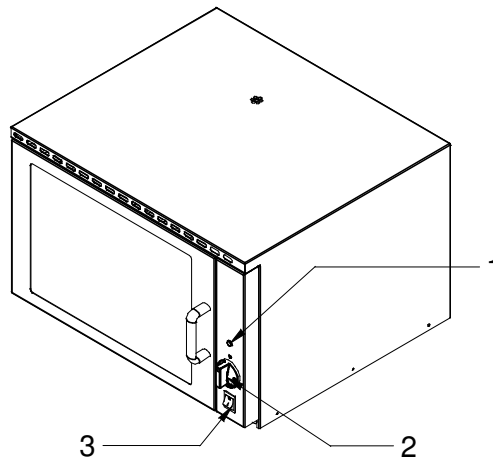


Fig 1

- 1 Amber neon (to element)
- 2 Control knob
- 3 On/Off switch

#### Operating the unit:

Connect to the electricity supply and press the On/Off switch. The switch will light up and the oven light will illuminate. Turn the control knob to the desired temperature. When the oven has reached the set temperature, the amber neon will extinguish.

#### Safety (High Limit) Thermostat

This unit is fitted with two thermostats. One controls the temperature inside the oven; the other prevents the temperature from reaching a dangerous level if there is a fault with the unit or power supply.

**Ensure that the control thermostat is not damaged during use and cleaning.** If the green neon lights up but the element does not heat up (and the interior light does not illuminate) the safety thermostat may need to be re-set.

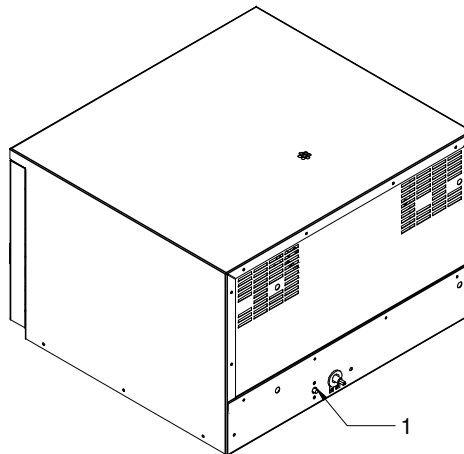


Fig 2

- 1 Re-set button (safety thermostat)

To re-set the safety thermostat:

- Open the oven door to allow the oven to cool down. Then press the re-set button.
- **Note: The re-set button cannot be activated until the oven has cooled sufficiently.**

- If the thermostat needs re-setting repeatedly this indicates a fault with the oven and it should be checked by a competent engineer.

## CLEANING AND MAINTENANCE



Disconnect the unit from the electricity supply and allow to cool before starting to clean. Use a mild detergent in hot water and a soft cloth. Do not use abrasive creams or scourers.

### MAINTENANCE

Regular cleaning of the unit is recommended.

### REPLACING PARTS

- Door inner glass: Remove 2 screws and metal cover. Push glass sideways to remove. To replace the glass reverse the above procedure.
- Light bulb: Remove glass cover by hand. Unscrew bulb. To replace the bulb reverse the procedure.
- Door seals: Take the hook at the ends of the seal out of each hole and use the hooks to clip the new seal into place.

No other regular maintenance is required.

## SERVICE INFORMATION

For help regarding the installation, maintenance and use of your **Lincat** equipment, please contact our service department:

 01522 875520

All service work, other than routine cleaning should be carried out by one of our authorised service agents. We cannot accept responsibility for work carried out by other persons.

To ensure your service enquiry is handled as efficiently as possible, you need to have the following details available:

- **Brief details of problem**
- **Product code, type number and serial number of unit (both on serial plate)**

Lincat reserve the right to carry out any work under warranty during normal working hours, ie Monday to Friday, 08:30 a.m. – 17:00 p.m.

## GUARANTEE

**This unit carries a comprehensive UK twelve-month warranty. The guarantee is in addition to, and does not diminish your statutory or legal rights.**

**The guarantee does not cover:**

- Accidental damage, misuse (or use not in accordance with the instructions in this User Guide), or consumable items.
- Damage due to incorrect installation, modification or unauthorised service work.
- The manufacturer disclaims any liability for incidental, or consequential damages.