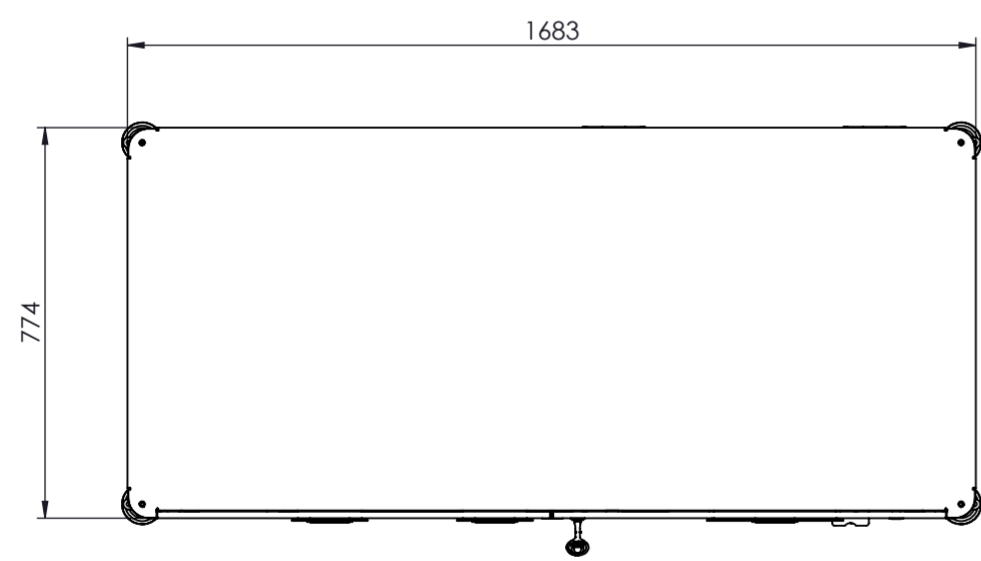
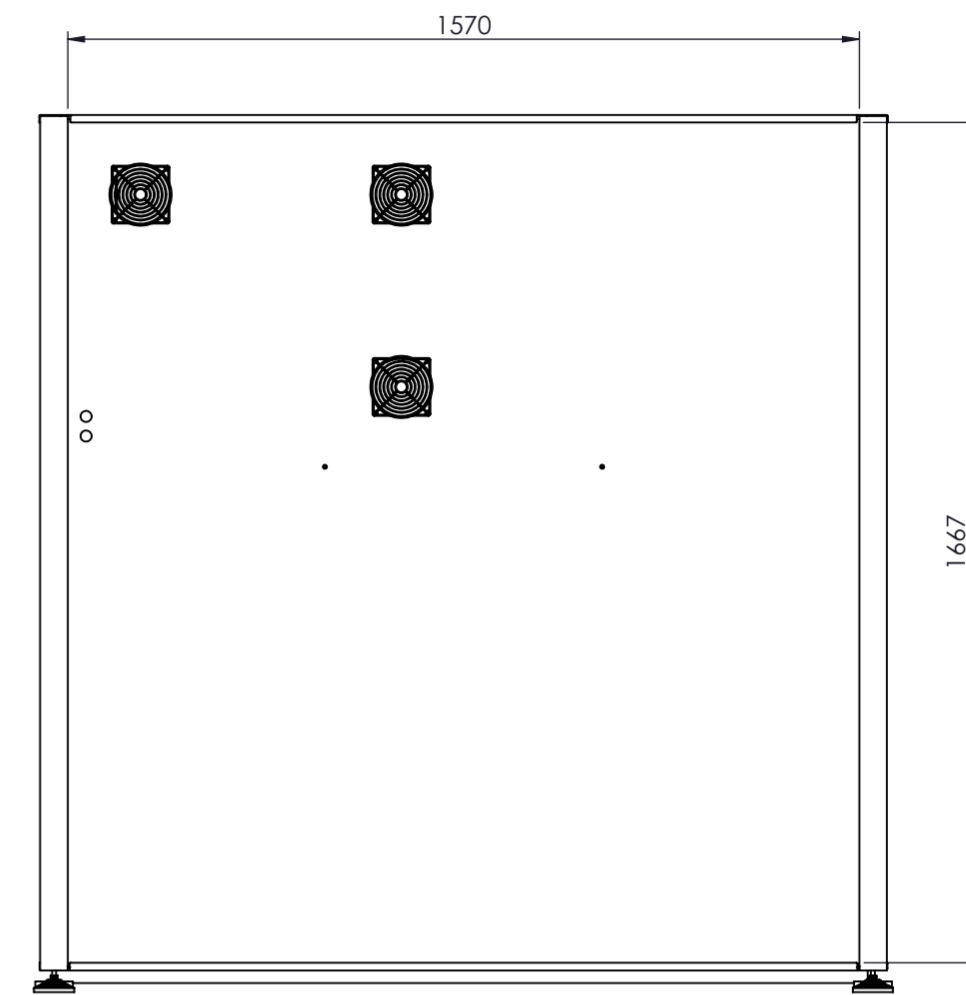
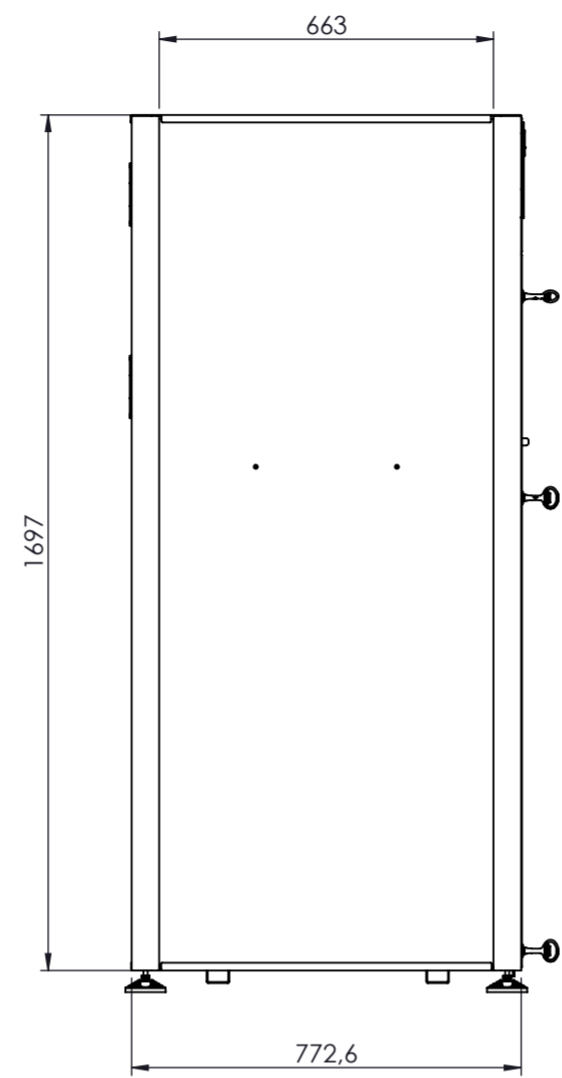
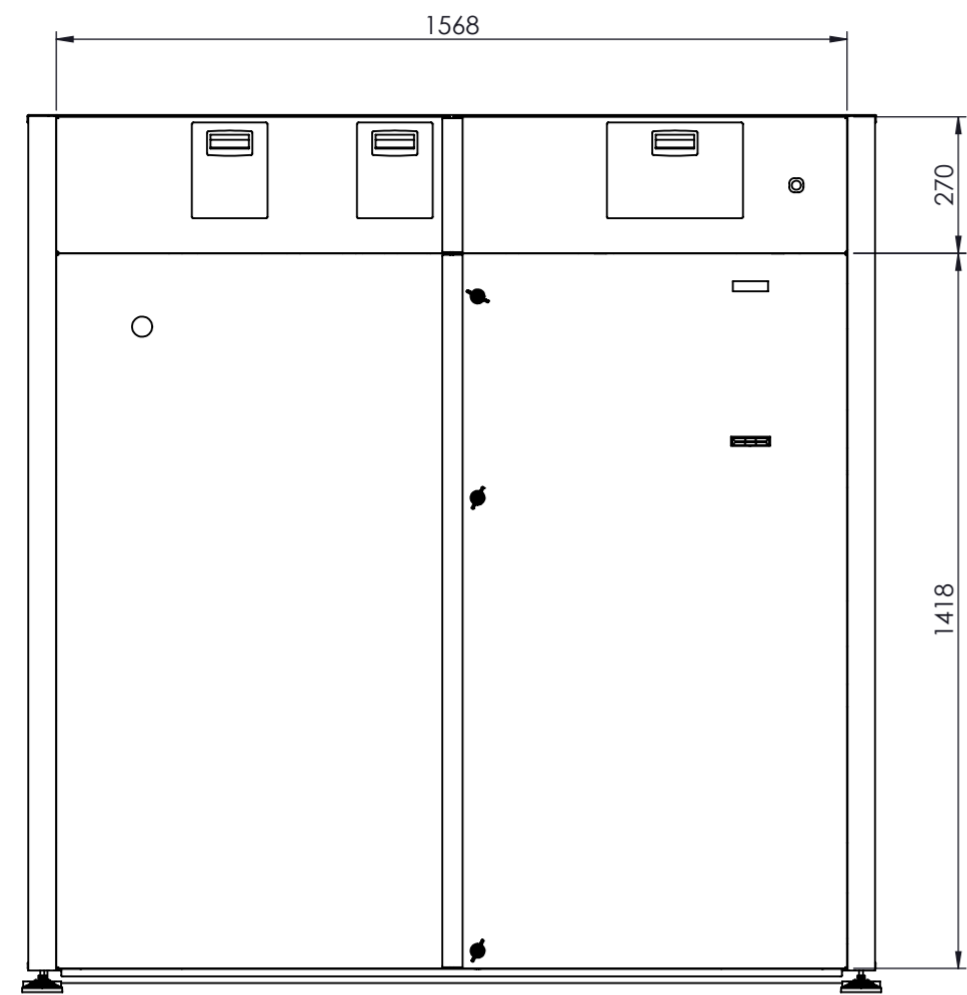

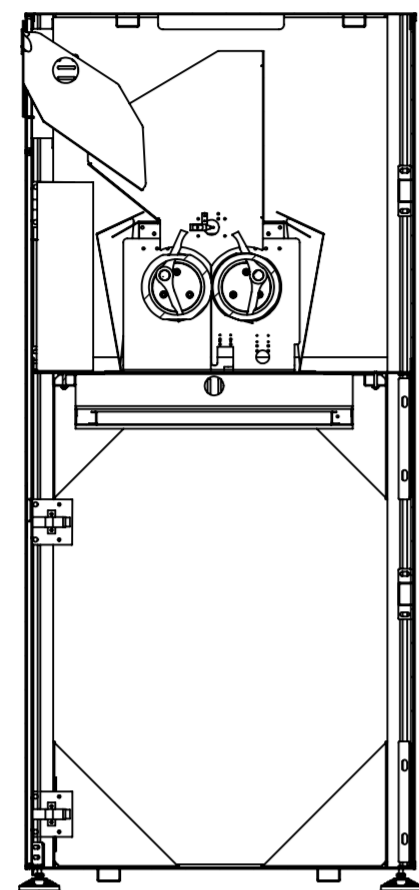


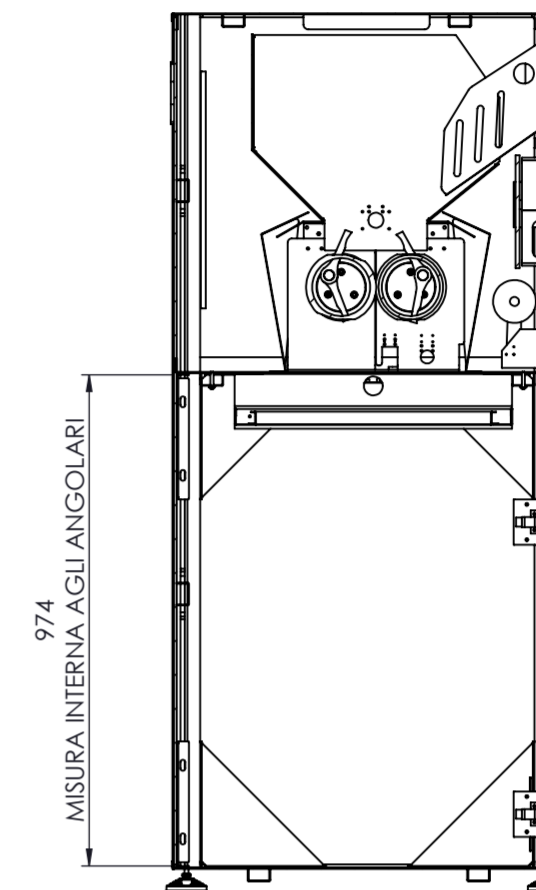
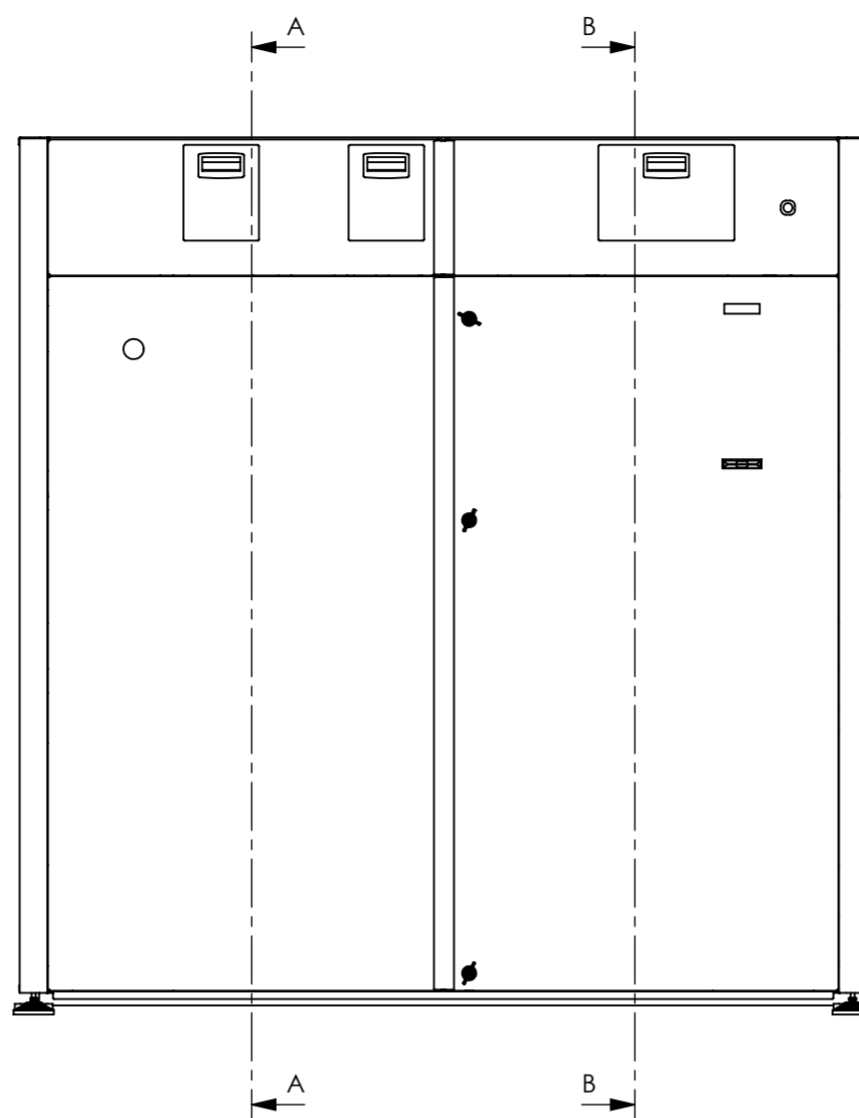
FOR GENERAL TOLERANCES REFERS TO FILE "GENERAL_TOLERANCES_IN_THE_DRAWINGS.doc"



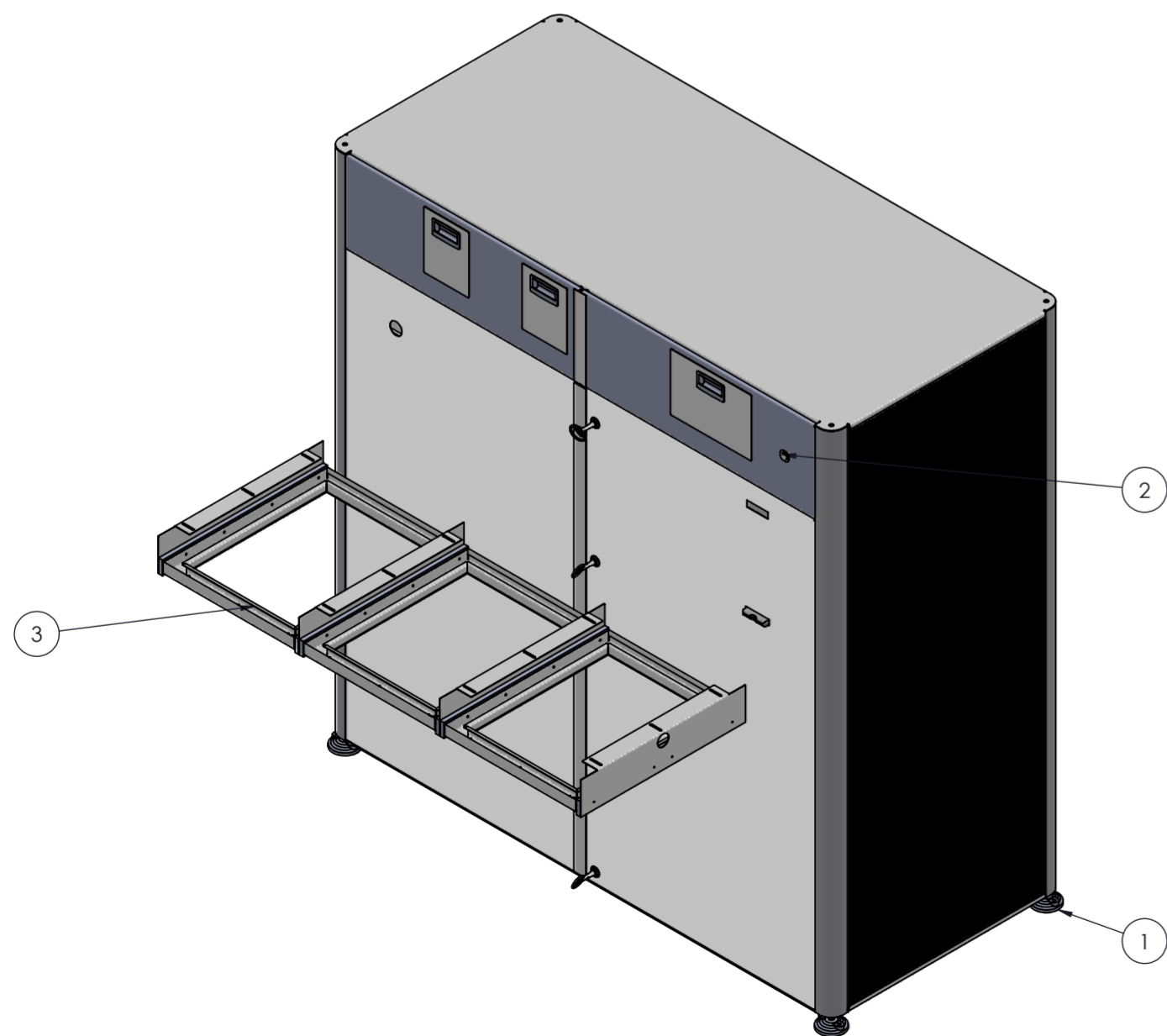
DRAWN	RS	09/10/2015	CHECKED	RS	09/10/2015	APPROVED	EV	09/10/2015
			PROJECTION	E				
			DESCRIPTION	COMPATTATORE ECM COMPLETO				
			CODE	ECM_AA		Quality Level	DRAWING N°	SCALE
						A2	1 / 5	1:15
<p>Volpato F.lli: This document and the information contained in it are confidential, and cannot be copied or disclosed in whole or in part without the expressed written consent of Volpato F.lli</p>								


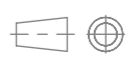


SEZIONE A-A

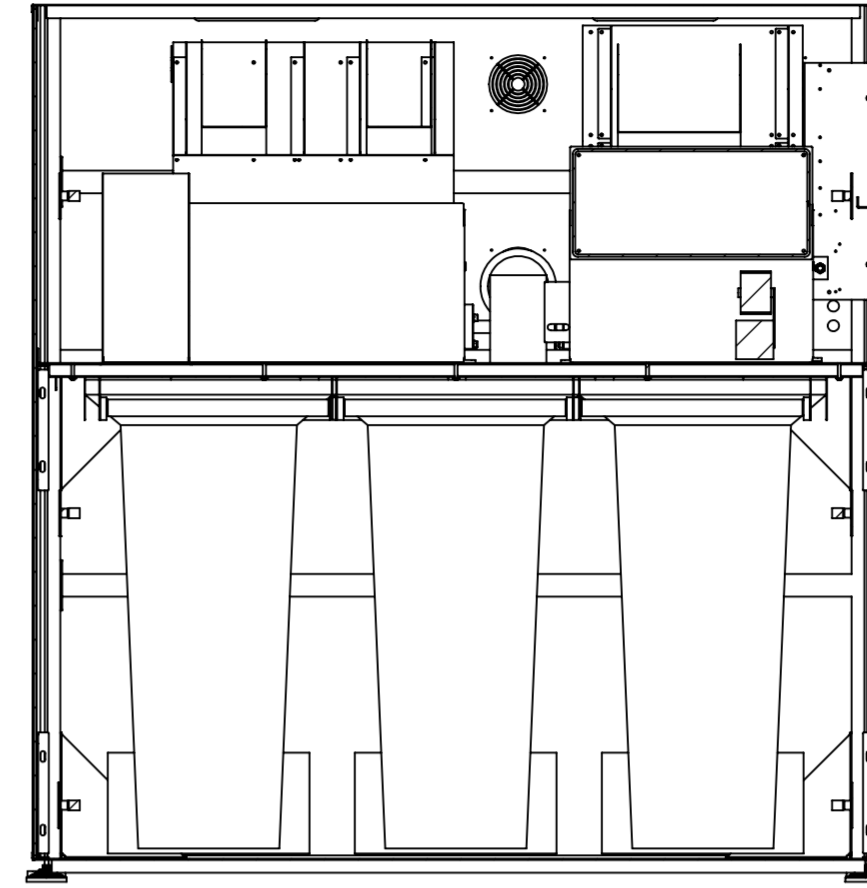
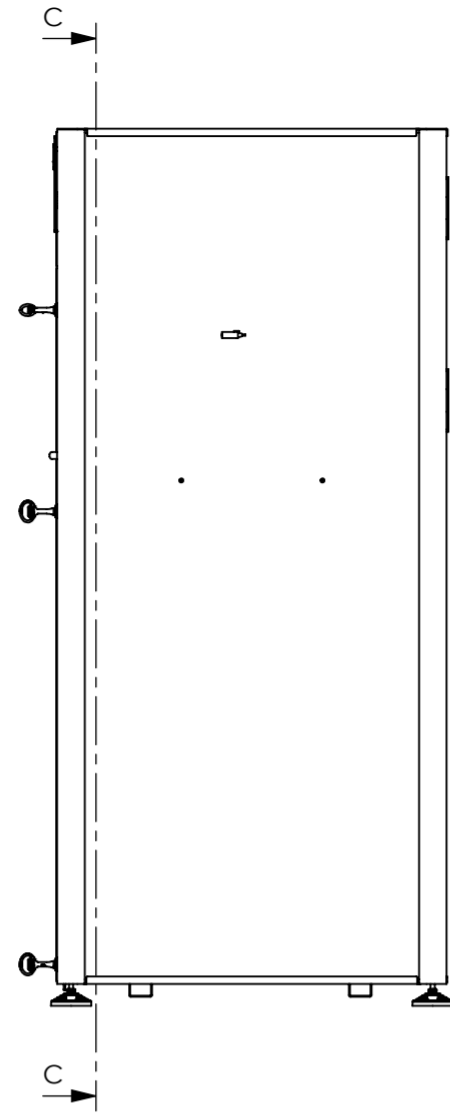


SEZIONE B-B

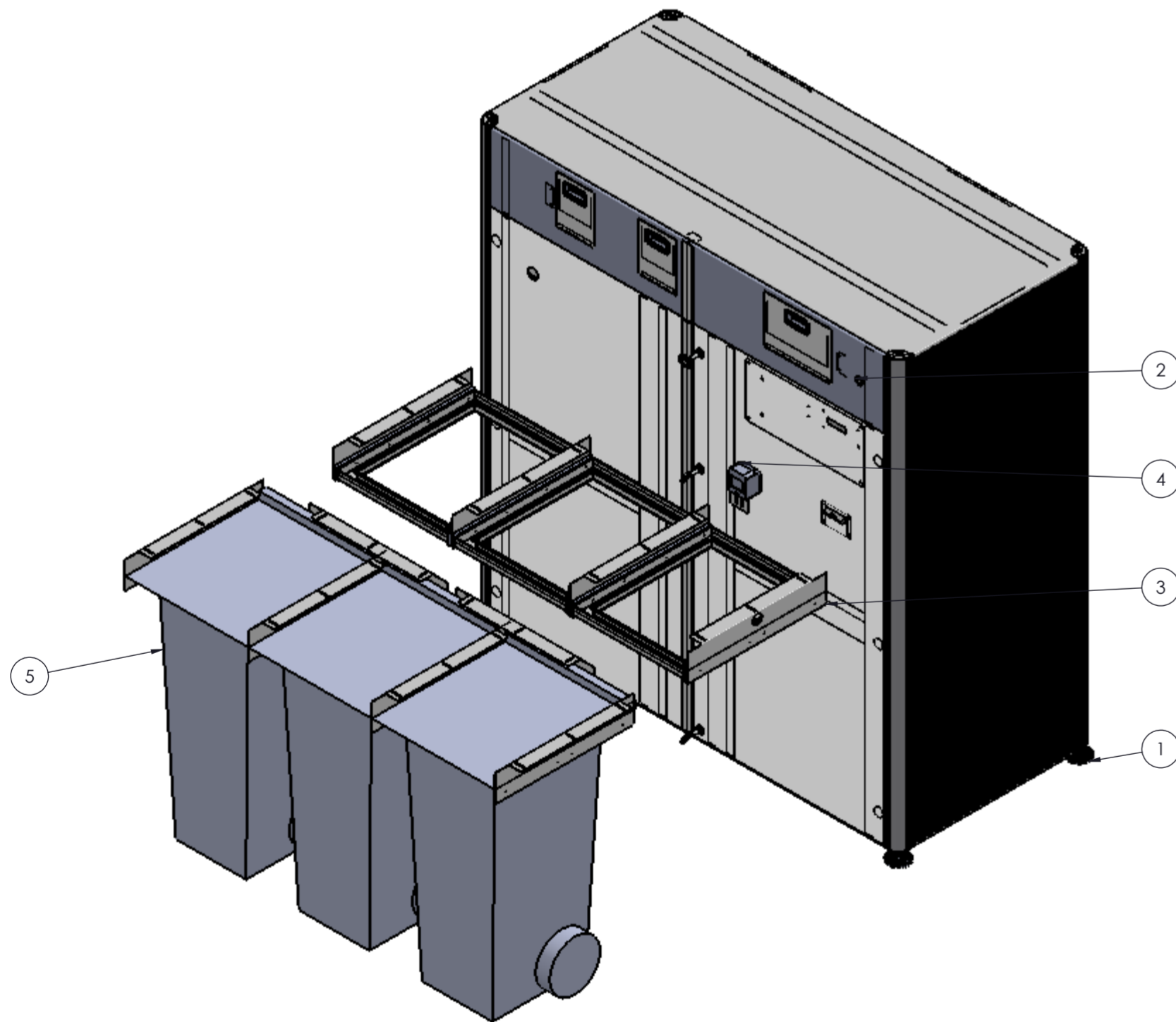


3	VOL.1407	1	KIT CASSETTI					
2	E.OPZ_STAMP_ECM	1	OPZIONE KIT STAMPANTE VOLPATO ECM					
1	E.ECM_AA	1	COMPATTATORE ECM					
Pos.	Codice	QUANTITA'	Descrizione					
DRAWN	RS	09/10/2015	CHECKED	RS	09/10/2015	APPROVED	EV	09/10/2015
			PROJECTION E 		DESCRIPTION COMPATTATORE ECM COMPLETO			
			CODE ECM_AA		Quality Level A2	DRAWING N° 2 / 5	SCALE 1:15	
Volpato F.lli: This document and the information contained in it are confidential, and cannot be copied or disclosed in whole or in part without the expressed written consent of Volpato F.lli								

FOR GENERAL TOLERANCES REFERS TO FILE "GENERAL_TOLERANCES_IN_THE_DRAWINGS.doc"

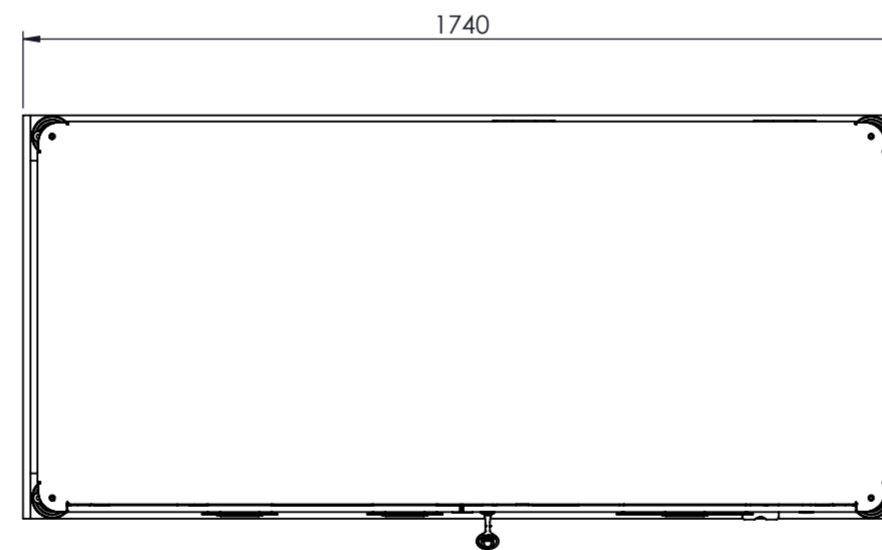
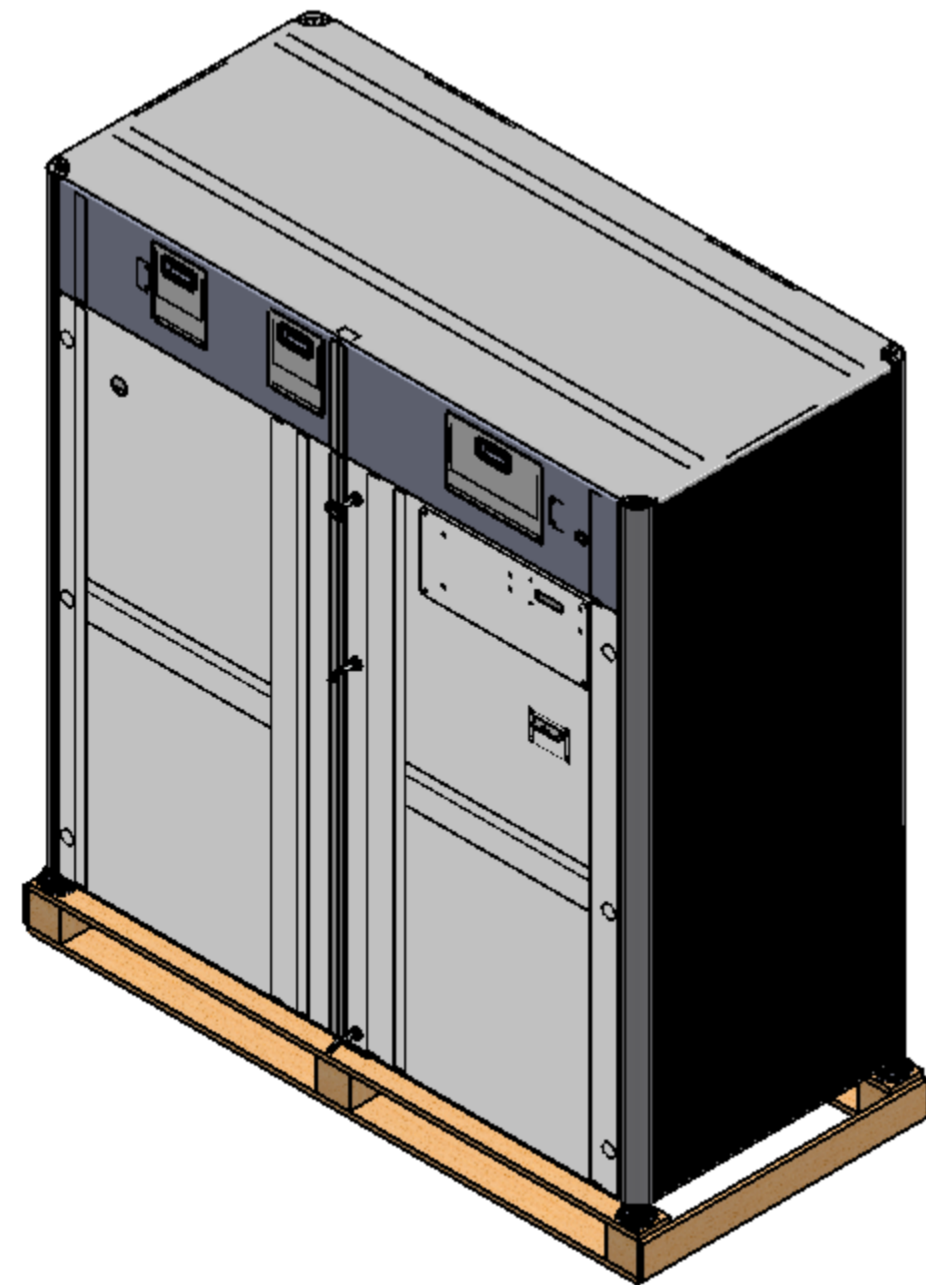
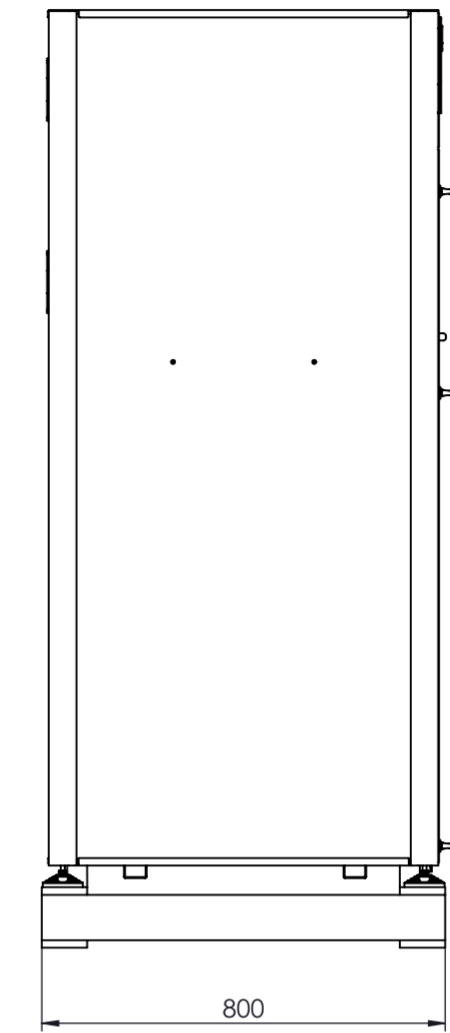
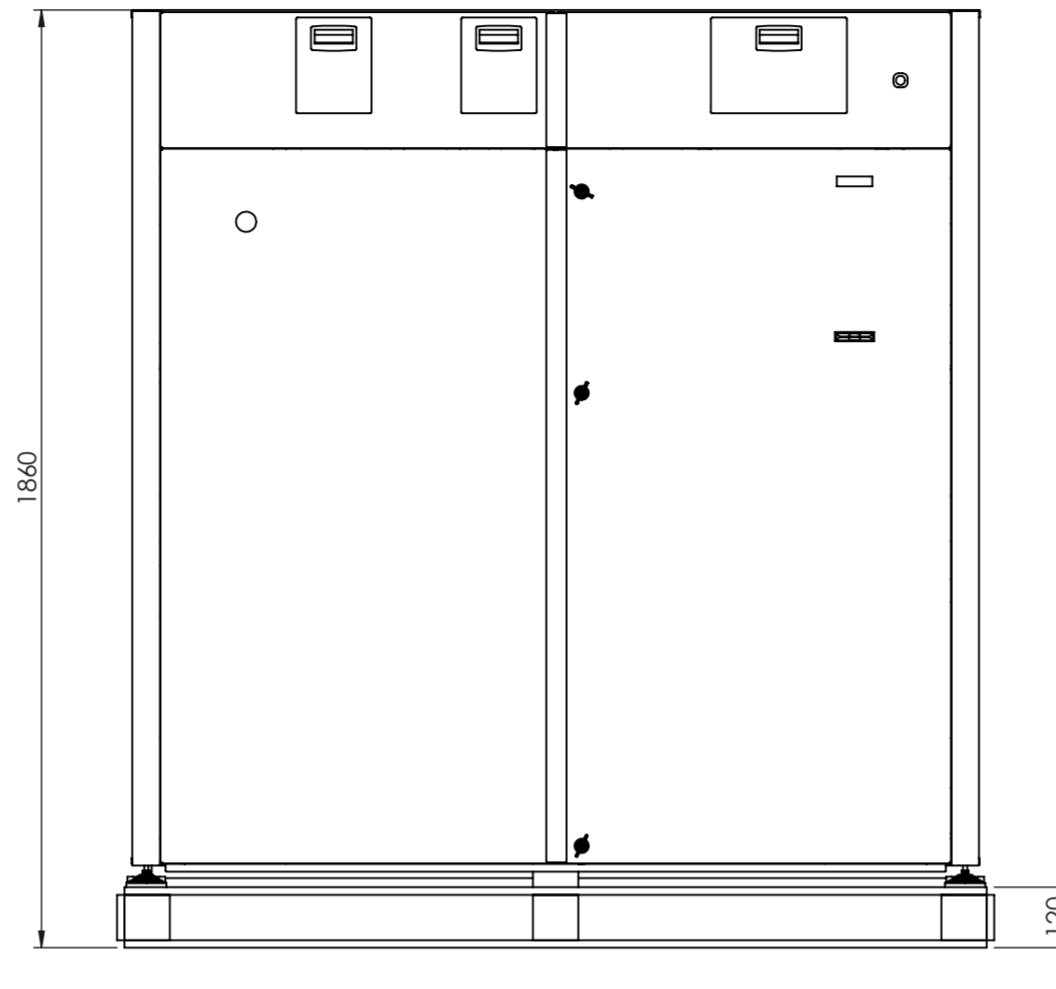


SEZIONE C-C



5	VOL.1406	1	KIT BIDONI					
4	KIT.SCAN.LA	1	KIT SCANNER LASER					
3	VOL.1407	1	KIT CASSETTI					
2	E.OPZ_STAMP_ECM	1	OPZIONE KIT STAMPANTE VOLPATO ECM					
1	E.ECM_AA	1	COMPATTATORE ECM					
Pos.	Codice	OPZIONI/QUANTITA'	Descrizione					
DRAWN	RS	09/10/2015	CHECKED	RS	09/10/2015	APPROVED	EV	09/10/2015
			PROJECTION	E				
			DESCRIPTION					
			COMPATTATORE ECM COMPLETO					
			CODE	ECM_AA		Quality Level	DRAWING N°	SCALE
						A2	3 / 5	1:15
<p>Volpato F.lli: This document and the information contained in it are confidential, and cannot be copied or disclosed in whole or in part without the expressed written consent of Volpato F.lli</p>								

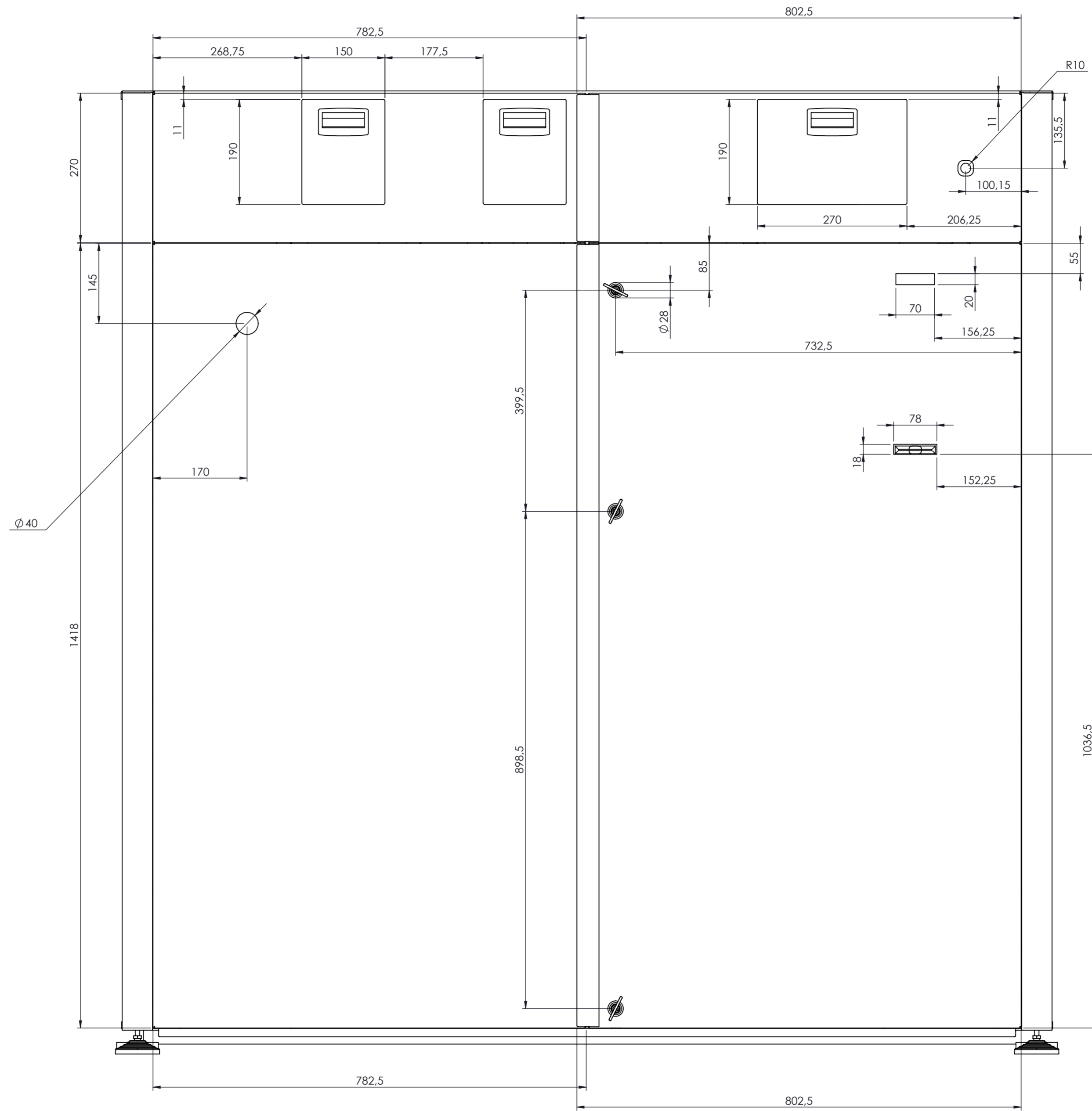
FOR GENERAL TOLERANCES REFERS TO FILE "GENERAL_TOLERANCES_IN_THE_DRAWINGS.doc"




PESO CIRCA 250Kg

DRAWN	RS	09/10/2015	CHECKED	RS	09/10/2015	APPROVED	EV	09/10/2015
			PROJECTION	E				
			DESCRIPTION	COMPATTATORE ECM COMPLETO				
			CODE	ECM_AA		Quality Level	DRAWING N°	SCALE
			A2	4 / 5			1:15	
<p>Volpato F.lli: This document and the information contained in it are confidential, and cannot be copied or disclosed in whole or in part without the expressed written consent of Volpato F.lli</p>								

FOR GENERAL TOLERANCES REFERS TO FILE "GENERAL_TOLERANCES_IN_THE_DRAWINGS.doc"



DRAWN	RS	09/10/2015	CHECKED	RS	09/10/2015	APPROVED	EV	09/10/2015
			PROJECTION	E				
			DESCRIPTION	COMPATTATORE ECM COMPLETO				
			CODE	ECM_AA		QUALITY LEVEL	DRAWING N°	SCALE
				A2	5 / 5	1:6		
<p>Volpato F.lli: This document and the information contained in it are confidential, and cannot be copied or disclosed in whole or in part without the expressed written consent of Volpato F.lli</p>								