



Trailers That Fit Your Lifestyle

1.866.857.1445 www.stirlingpowerproducts.com

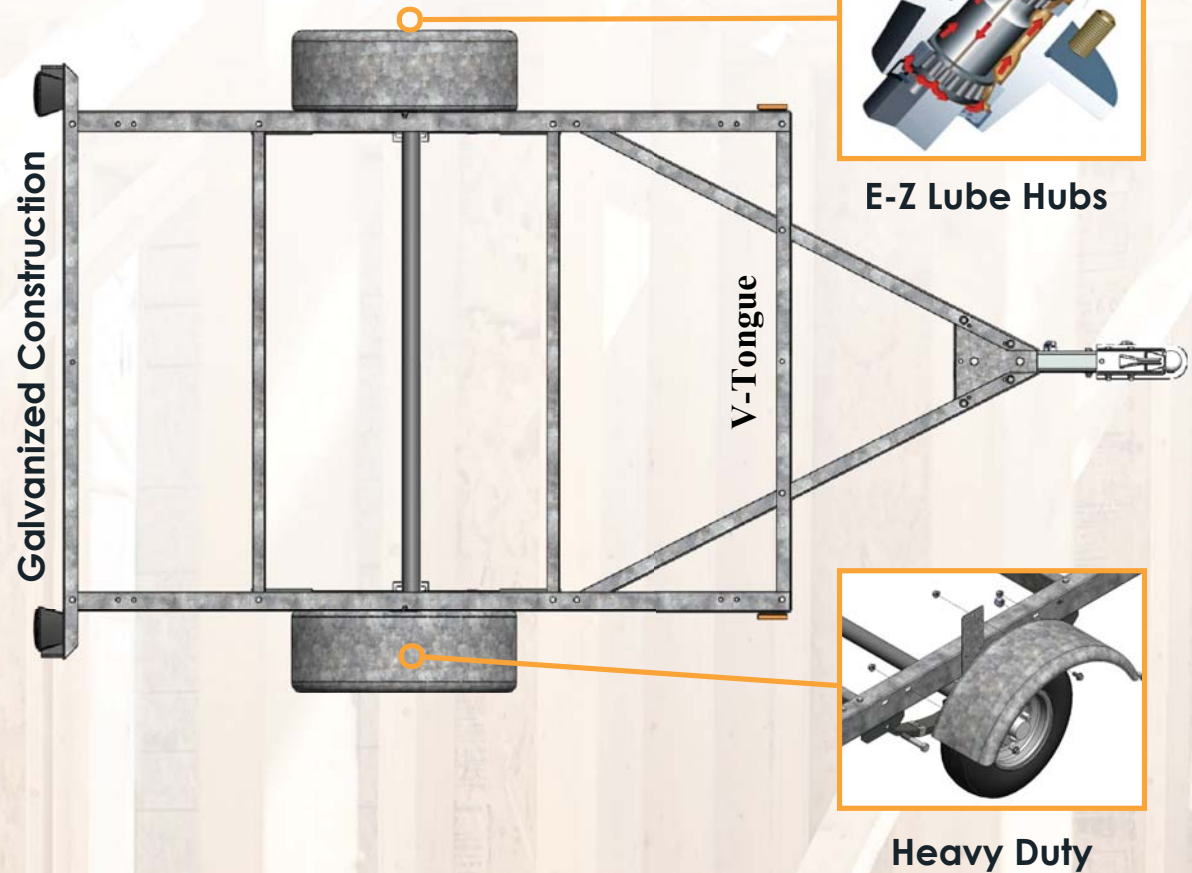
Westbrook is a family owned Canadian company that has been in operation for over 50 years. Started originally as a commercial greenhouse operation it quickly expanded into greenhouse manufacturing. Always on the leading edge of technology the next step was to expand into custom laser tube cutting. In 2012 an existing line of utility trailers became available. A natural fit for the 100,000 square foot manufacturing facility in Beamsville, Ontario, Westbrook took on this project. Employing a total of 350 people across its locations Westbrook continues the tradition of locally made products at a fair price. Located in the heart of the Niagara Peninsula our additional Westbrook facilities include three commercial greenhouse ranges with total production area of thirty acres and a corporate head office/distribution centre.

The Stirling Advantage

Galvanized Construction offers a scratch and corrosion resistant finish that is long lasting and maintenance free

E-Z Lube hubs offer ease of maintenance and added bearing protection

Proudly Manufactured in North America with primarily Canadian and American parts, supporting our North American economy



Stirling kit trailers are perfect for:



Lawn and Garden Equipment



ATV



Building Materials



General Hauling



Sports and Camping Equipment



Motorcycles

Efficient Shipping and Convenient Merchandising

These trailers stack neatly 10 units per pallet for ease of bulk shipping and storage.

Trailers sent to the consumer ship in two convenient boxes that will handle the rigours of courier shipping.

Both options are designed to get there with a minimum of cost and a maximum of convenience.

Whether it is bulk shipping to your distribution centre or courier shipments to the consumer, we have you covered.

TRANSPORT

4' X 4'

Skid Dim – 65" L x 42.5" W x 60" H

Cube – 109 FT³

Truck Load – 160 units

4' X 6'

Skid Dim – 74" L x 42.5" W x 60" H

Cube – 109 FT³

Truck Load – 160 units

4' X 8'

Skid Dim – 65" L x 42.5" W x 60" H

Cube – 109 FT³

Truck Load – 160 units

COURIER (2 Boxes)

4' X 4' 150 lbs

Tire Box – 24.5" x 28" x 11" – 76 lbs

Frame Box – 65" x 9" x 6" – 74 lbs

4' X 6' 159 lbs

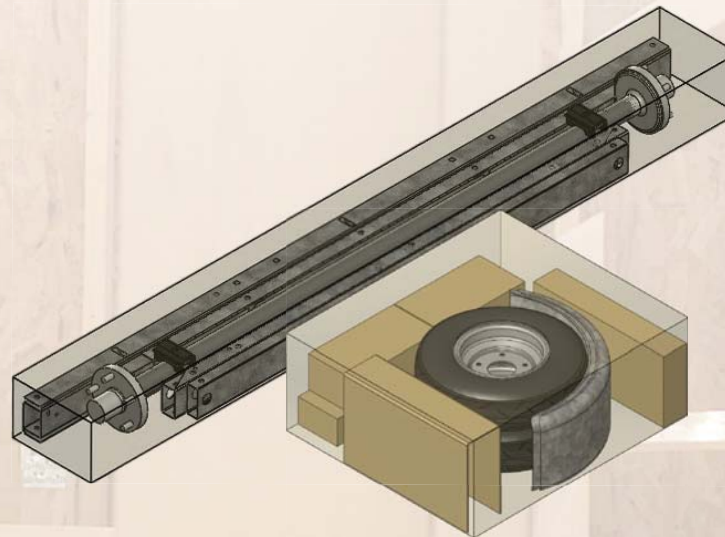
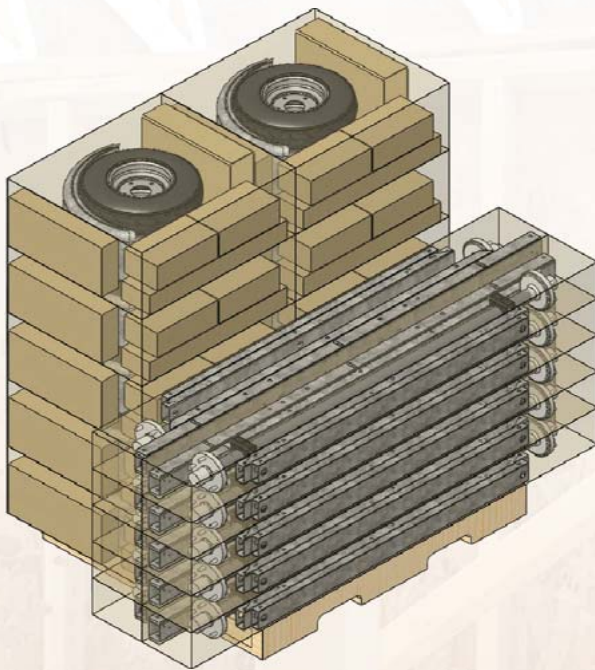
Tire Box – 24.5" x 28" x 11" – 76 lbs

Frame Box – 74" x 9" x 6" – 83 lbs

4' X 8' 180 lbs

Tire Box – 24.5" x 28" x 11" – 76 lbs

Frame Box – 65" x 9" x 6" – 104 lbs



**Quality
Performance
Flexibility**

4' X 4'

G.V.W: 1000 lbs

Payload: 850 lbs

Interior Width: 4'

Interior Length: 4'

Wheel: 8"

Coupler : 1 7/8"

Suspension : Leaf Spring



4' X 6'

G.V.W: 1000 lbs

Payload: 840 lbs

Interior Width: 4'

Interior Length: 6'

Wheel: 8"

Coupler: 1 7/8"

Suspension: Leaf Spring



4' X 8'

G.V.W: 1500 lbs

Payload: 1320 lbs

Interior Width: 4'

Interior Length: 8'

Wheel: 8"

Coupler : 1 7/8"

Suspension : Leaf Spring



Versatile

Whatever you are hauling a Stirling trailer can handle it with these do it yourself options

From ATVs & lawnmowers to furniture and building materials, our kit trailers will haul it all

Wood Plank Sides & Plywood Floor



Plywood Sides & Floor



Plywood Floor



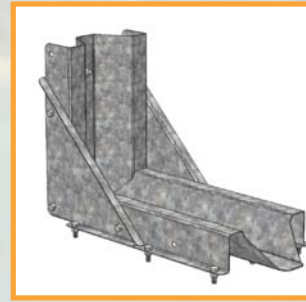
Galvanized Sides & Floor



Stirling Offers a Full Line of Trailer Accessories



Ramp Kit



Wheel Chock



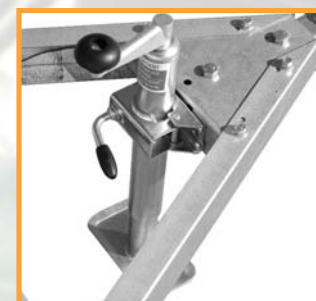
Tool Box



Tie-Downs



Tongue Extension



Tongue Jack

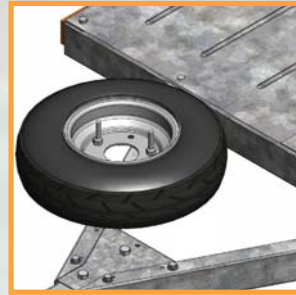




Side Tire Mount



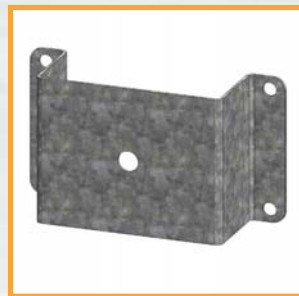
Spare Tire & Wheel



Tongue Tire Mount



Galvanized Panel Kit



Stake Pocket Kit



12" Wheel & Fender Kit

Become a dealer

If you are interested in becoming a Stirling dealer or would like additional information, please call: 1-866-857-1445

Or email us at

trailers@westbrooksystems.com

Be sure to include your contact information, business name and the Stirling trailers you're interested in selling.



Trailers That Fit Your Lifestyle

www.stirlingpowerproducts.com

© 2016 Westbrook Greenhouse Systems Ltd.
All rights Reserved.
International and National Patents Pending

