

UL/cUL SYSTEM NO. F-C-1009

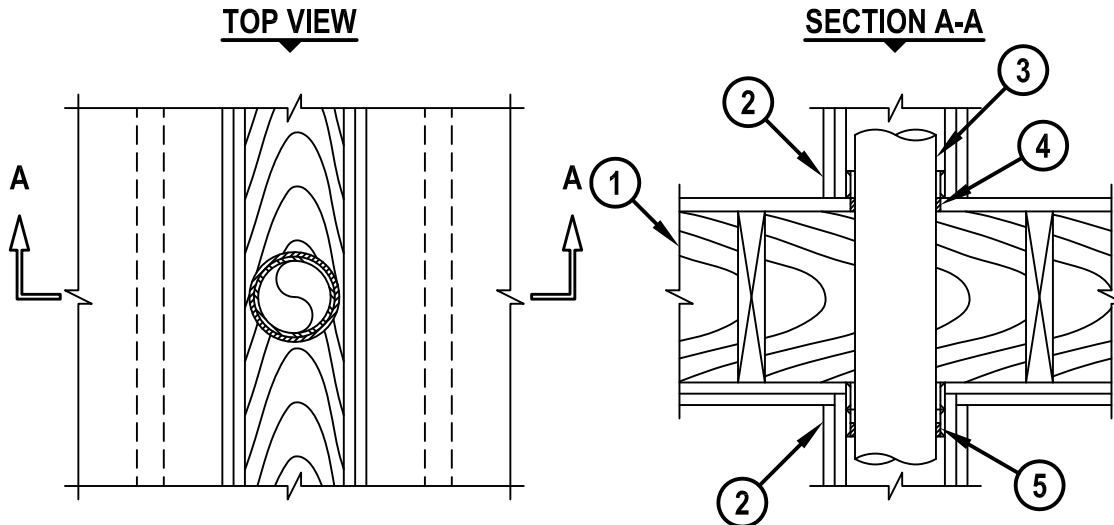
METAL PIPE THROUGH WOOD FLOOR/CEILING ASSEMBLY

F-RATING = 1-HR. OR 2-HR.

T-RATING = 1/4-HR.

L-RATING AT AMBIENT = LESS THAN 1 CFM / SQ FT

L-RATING AT 400° F = 4 CFM / SQ FT



1. WOOD FLOOR/CEILING ASSEMBLY (UL/cUL CLASSIFIED L500 SERIES) (1-HR. OR 2-HR. FIRE-RATING) (2-HR. SHOWN).
2. [OPTIONAL] GYPSUM WALL ASSEMBLY (UL/cUL CLASSIFIED U300 SERIES) (1-HR. OR 2-HR. FIRE-RATING) (2-HR. SHOWN) CONSISTING OF NOMINAL 2" x 4", 2" x 6", OR PARALLEL 2" x 4" LUMBER PLATES AND STUDS.
3. PENETRATING ITEM TO BE ONE OF THE FOLLOWING :
 - A. MAXIMUM 4" NOMINAL DIAMETER STEEL PIPE (SCHEDULE 10 OR HEAVIER).
 - B. MAXIMUM 4" NOMINAL DIAMETER CAST OR DUCTILE IRON PIPE.
 - C. MAXIMUM 4" NOMINAL DIAMETER COPPER PIPE OR TUBING.
 - D. MAXIMUM 4" NOMINAL DIAMETER STEEL CONDUIT OR EMT.
4. MINIMUM 3/4" DEPTH HILTI FS-ONE MAX OR FS-ONE INTUMESCENT FIRESTOP SEALANT, HILTI CP 601S ELASTOMERIC FIRESTOP SEALANT, HILTI CP 606 FLEXIBLE FIRESTOP SEALANT, OR HILTI CFS-S SIL GG FIRESTOP SILICONE SEALANT FLUSH WITH TOP SURFACE OF FLOOR OR SOLE PLATE.
5. MINIMUM 5/8" DEPTH HILTI FS-ONE MAX OR FS-ONE INTUMESCENT FIRESTOP SEALANT, HILTI CP 601S ELASTOMERIC FIRESTOP SEALANT, HILTI CP 606 FLEXIBLE FIRESTOP SEALANT, OR HILTI CFS-S SIL GG FIRESTOP SILICONE SEALANT FLUSH WITH BOTTOM SURFACE OF CEILING OR LOWER TOP PLATE.

NOTES : 1. DIAMETER OF OPENING TO BE MAXIMUM 1" LARGER THAN DIAMETER OF PIPE OR SQUARE-CUT WITH A MAXIMUM DIMENSION 1" GREATER THAN THE DIAMETER OF PIPE.
2. WHEN LUMBER PLATES ARE DISCONTINUOUS, ATTACH A NOMINAL 1-1/2" WIDE 20 GA. (OR HEAVIER) GALVANIZED STEEL PLATE TO EACH END OF LUMBER PLATE. STEEL PLATES SHOULD OVERLAP 2" ONTO LUMBER, AND SECURED WITH STEEL SCREWS OR NAILS.
3. ANNULAR SPACE = MINIMUM 0", MAXIMUM 1".
4. L-RATINGS APPLY ONLY WHEN HILTI FS-ONE MAX OR FS-ONE INTUMESCENT FIRESTOP SEALANT IS USED.

HILTI
Hilti Firestop Systems

HILTI, Inc.
Tulsa, Oklahoma USA (800) 879-8000

Sheet	1 of 1
Scale	3/32" = 1"
Date	Jan. 07, 2015

Drawing No.

**FC
1009t**

Saving Lives through Innovation and Education

FC1009t.010715