

FORCE WITH INTELLIGENT SPEED CONTROL™

5K & 10K ELECTRIC TRAILER DOLLY
VERSION 4.8



READ CAREFULLY
BEFORE OPERATING

IMPROPER USE CAN CAUSE DAMAGE TO
YOUR TRAILER OR PERSONAL INJURY.

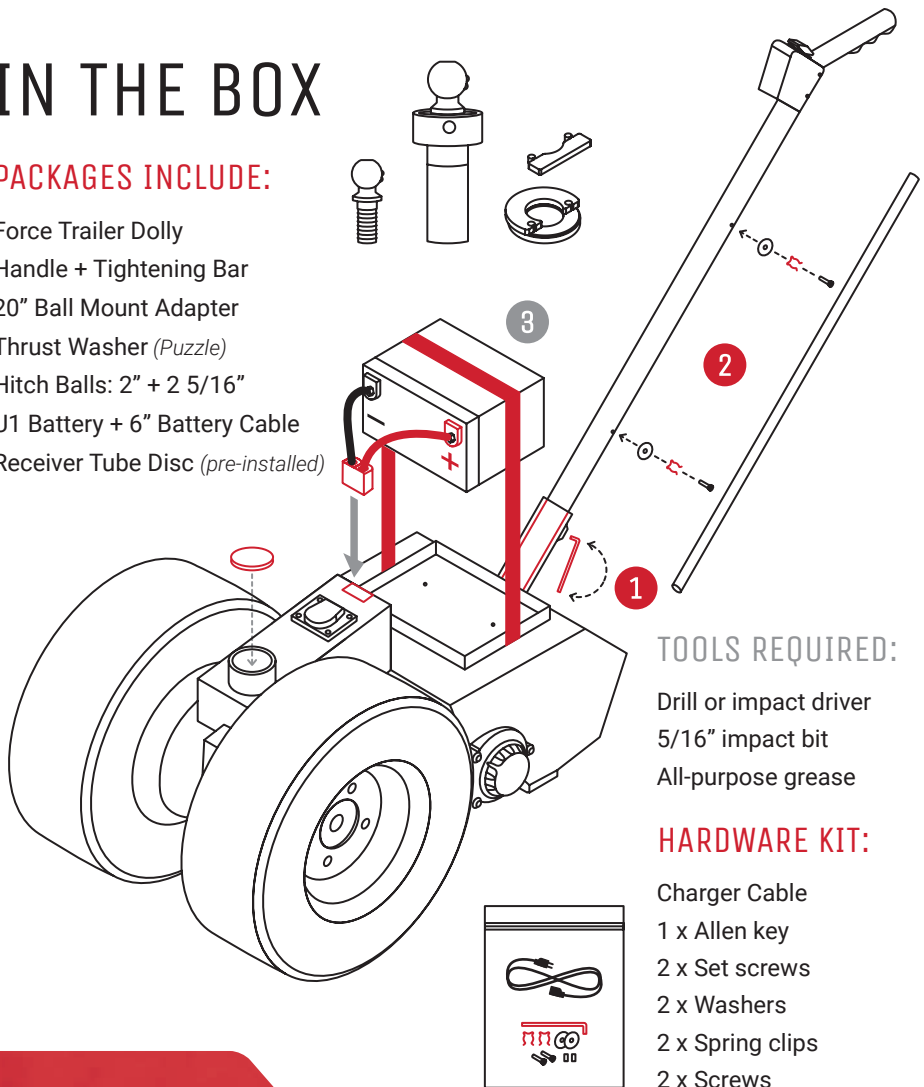


DANGER

IN THE BOX

PACKAGES INCLUDE:

- Force Trailer Dolly
- Handle + Tightening Bar
- 20" Ball Mount Adapter
- Thrust Washer (*Puzzle*)
- Hitch Balls: 2" + 2 5/16"
- U1 Battery + 6" Battery Cable
- Receiver Tube Disc (*pre-installed*)



TOOLS REQUIRED:

- Drill or impact driver
- 5/16" impact bit
- All-purpose grease

HARDWARE KIT:

- Charger Cable
- 1 x Allen key
- 2 x Set screws
- 2 x Washers
- 2 x Spring clips
- 2 x Screws

ASSEMBLY

Slide the **handle** into the handle receiver tube and secure it with the provided **set screws** and **Allen key**. Plug the **handle cable** into the 3-prong port next to the dolly's volt meter. Use the remaining **washers** and **screws** to mount the **spring clips** to the handle for easy access to the **Tightening Bar**.

Install the **Interstate® U1 Sealed Battery** on it's side, with the Terminals facing the dolly's power plug. Covered by an **Interstate® 1 Year Warranty**. (Page 14)



FEATURES

SMART BRAKE

7 pin trailer brake controller that operates **electric** or **surge** brakes.

BATTERY CABLE PLUG

Power the dolly with the on-board 12V U1 Interstate® battery.

INTELLIGENT SPEED CONTROL™

Toggle between **High** and **Low** speed. Motor starts and stops gradually for a smoother parking experience.

FREEWHEEL KNOB

Engages/disengages motor to switch between Drive and Neutral. (Page 4)

OPTIONAL PARTS

EZ Connect Adapter

Telescopic Frame Adapter

Ball Mount Adapter: 18" or 24"

Hitch Ball: 1 7/8" or 50mm

Pintle Hitch Adapter

Atwood Hitch Adapter

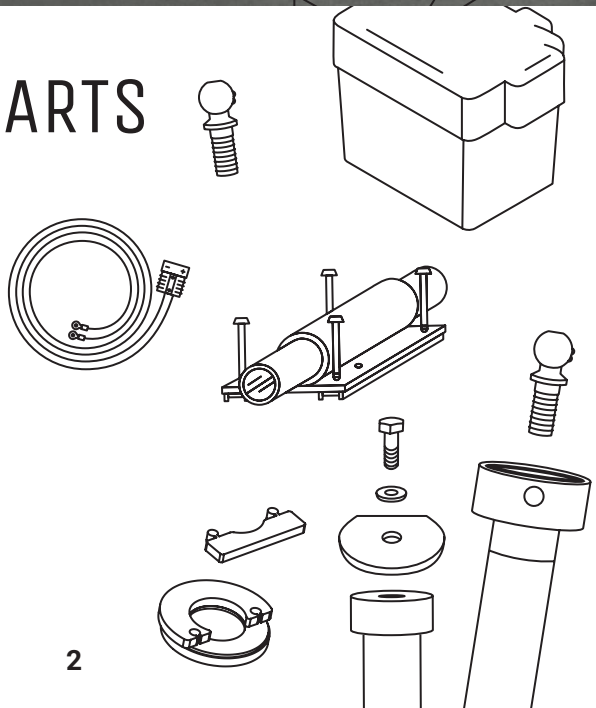
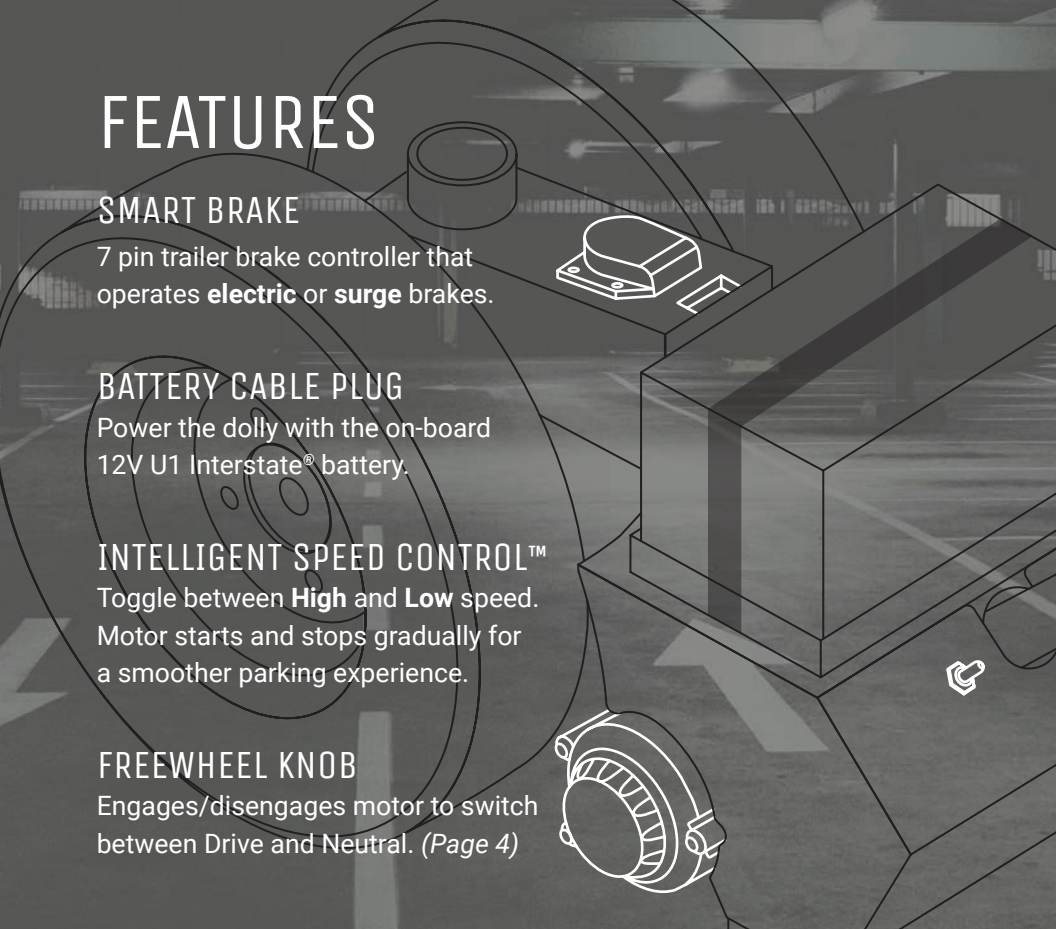
Battery Box Kit

80" Battery Cable

QUESTIONS?

1-888-926-5517

PARKIT360.CA

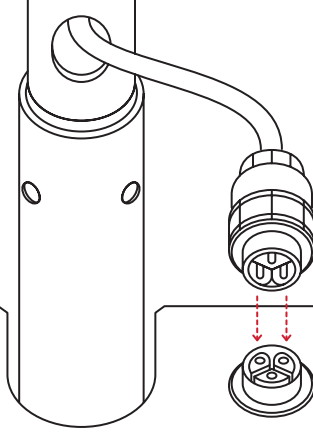


MODULE FEATURES

HANDLE PLUG

Plug in and twist locking cap over connection.

Unplug cable while charging the battery.



FORCE
WITH
INTELLIGENT
SPEED CONTROL™



1



2



DANGER: DO NOT EXCEED MAXIMUM WEIGHT CAPACITY OF THIS UNIT! CAN CAUSE DAMAGE TO YOUR TRAILER OR SERIOUS INJURY. REFER TO USER MANUAL BEFORE OPERATION, DO NOT OPERATE ON MORE THAN 6% GRADE. ENSURE UNIT IS STABLE BEFORE OPERATING.



3



CIRCUIT BREAKERS

By default, the Brake Button protrudes more than the Motor.

BATTERY CHARGER

4

To charge the **U1 Battery**, ensure that the dolly is **ON** by plugging in the **battery cable**. Connect the **charger cable** to the dolly's figure eight port, then plug the opposite end into a nearby wall outlet.



The **Battery Charger Display** on the right side of the dolly will illuminate.

1 ISC CONTROL™

While parking your trailer, switch between High or Low Speed anytime by flipping the toggle switch.

Motor speed starts and stops gradually for better traction and a smoother parking experience.

3 CIRCUIT BREAKERS

Prevents Motor and Smart Brake from overheating.

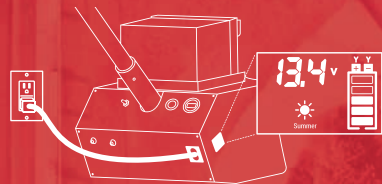
If a breaker trips, the Reset Button will extend up to 1/2" from the panel.

Allow 30 seconds for the system to cool down, then press Reset.

2 VOLT METER

Displays the Battery Voltage while the dolly is in use. Fully charged batteries rest between 12.2 to 13V.

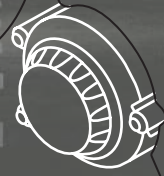
4 BATTERY CHARGER DISPLAY



While charging, this screen displays the **Charging Voltage and Amperage**.

Disconnect the charger after an over-night charge to extend battery life.

MOTOR KNOB: SWITCHING GEARS

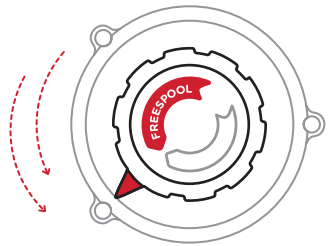


FREEWHEEL/SPOOL

NEUTRAL. MOVE THE DOLLY WITHOUT POWER WHILE IT IS NOT UNDER LOAD.

Turn the knob in the direction of the Freespool arrow until it stops. Freely move the dolly to and from the trailer in this mode.

This mode is intended for transportation only.



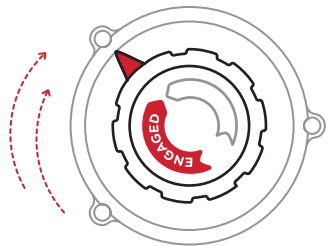
DRIVE

ENGAGE THE MOTOR TO CONNECT TO THE TRAILER AND PARK WITH POWER.

Ensure the Dolly is in parking position underneath the trailer's coupler.

Turn the knob in the direction of the Engaged arrow until it stops and clicks into position. Rock the Dolly back and forth to ensure the motor is engaged.

When pushed manually in this mode, the Dolly will only move an inch forwards or backwards before stopping.



POWER OPTIONS

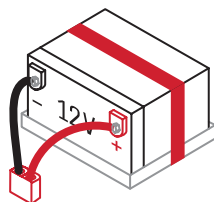
DOLLY-MOUNTED BATTERY

U1 BATTERY KIT

Plug the 6" cable into the dolly to turn it on. Unplug the battery cable to power off the dolly.

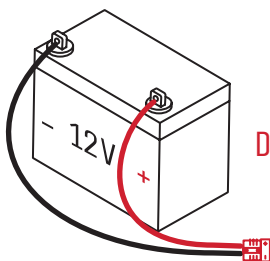
12v U1 SEALED BATTERY

CONNECT 6"
BATTERY CABLE



BATTERY BOX KIT

Install the Battery Box with the strap provided. Use the 20" Cable to connect to a 12 Volt Group 24 Deep Cycle or Marine Battery.



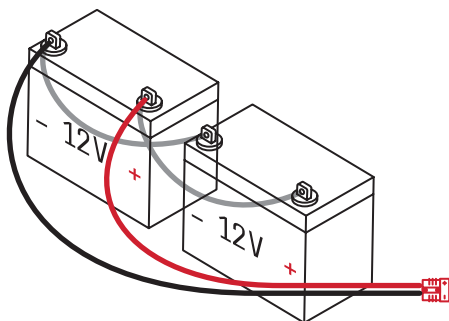
12v GROUP 24 DEEP CYCLE BATTERY

CONNECT 20" OR 80"
BATTERY CABLE

TRAILER BATTERY

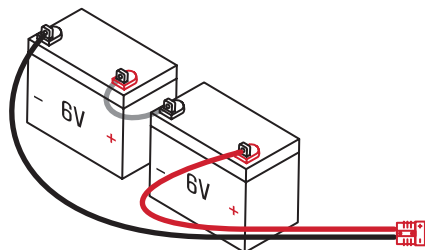
TWO 12v BATTERIES

Connect the 80" Cable to either Trailer Battery:



TWO 6v BATTERIES

Connect the 80" Cable across Both Batteries:



PLUG IN TO POWER ON
UNPLUG TO POWER OFF.



DANGER

DO NOT EXCEED DOLLY'S MAX. WEIGHT CAPACITY

CAN CAUSE DAMAGE TO YOUR TRAILER OR PERSONAL INJURY.

FORCE 5K

5,000 LBS GVWR

900 LBS TONGUE WEIGHT

FORCE 10K

10,000 LBS GVWR

900 LBS TONGUE WEIGHT

RE-TIGHTEN BALL MOUNT BEFORE OPERATION

OPERATING WITH A LOOSE OR UNEVEN CONNECTION CAN
CAUSE DAMAGE TO YOUR TRAILER OR PERSONAL INJURY.

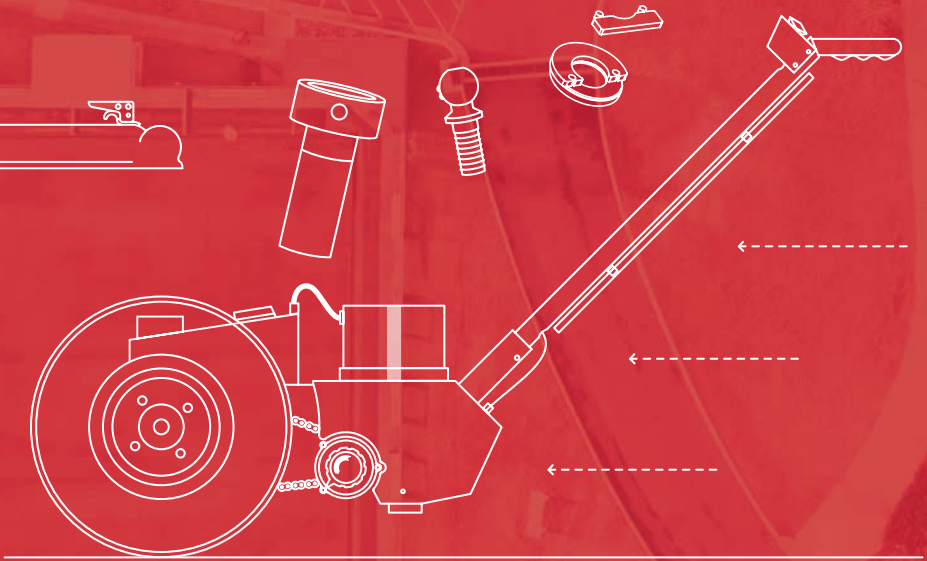
DO NOT OPERATE ON MORE THAN 6% GRADE

RISK OF RUNAWAY TRAILER. DO NOT OPERATE
ON STEEP INCLINES.

CONNECTING TO YOUR TRAILER:

BALL MOUNT ADAPTER

While in **Freewheel Mode**, move the Dolly and Accessories to the Trailer. Choose your preferred **Hitch Ball Size**, and assemble the **Ball Mount**.

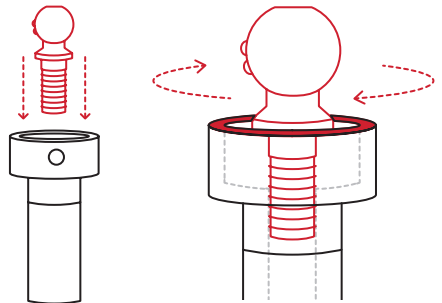


BALL MOUNT ASSEMBLY

HITCH BALL

Thread desired **Hitch Ball** into the Ball Mount. Apply a generous portion of **All-Purpose Grease** along the top surface of the **Ball Mount Collar**.

The shoulder of the Hitch Ball should rest slightly above the top of the collar.

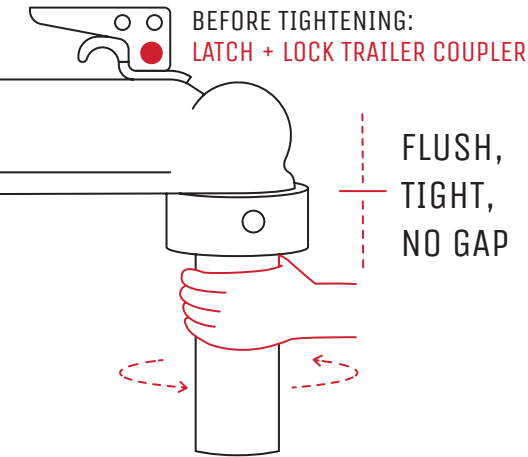
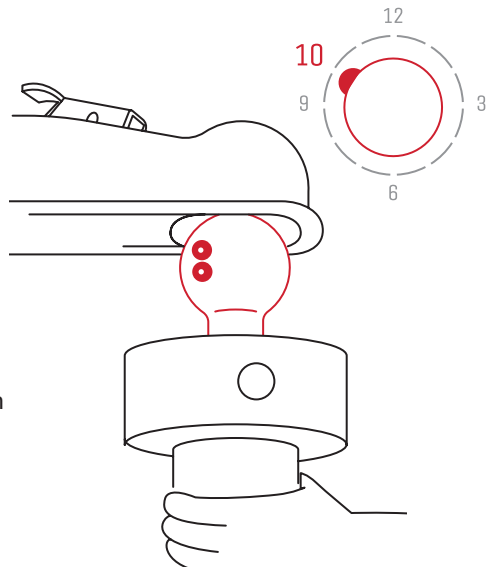


HITCH BALL PLACEMENT

WELD SPOTS

Insert the assembled Ball Mount into the trailer coupler and latch it down.

Make sure the **weld spots** on the hitch ball are pointed towards the **left side of your trailer at 10 o'clock**.



COUPLER CONNECTION

Turn the Ball Mount **counterclockwise** until the gap between the Ball Mount collar and trailer tongue closes **tightly**.

With the trailer coupler latched down, insert the **latch pin** to secure it.

Your trailer's Latch and Pin style will vary depending on your coupler:

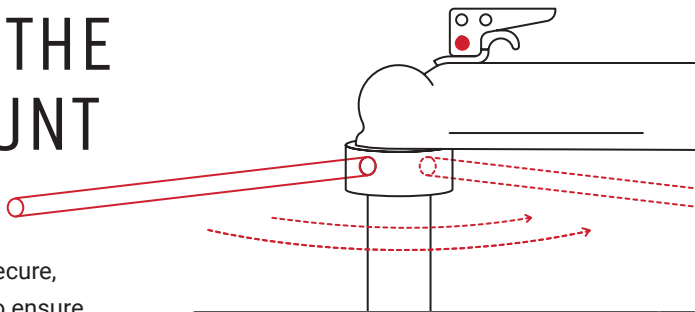


TIGHTEN THE BALL MOUNT

TIGHTENING BAR

Once the Ball Mount is secure, use the **Tightening Bar** to ensure the connection is **as tight as possible!**

This will take a few rotations.



Have an obstruction or gap preventing a flush connection?



SEE PAGE 9

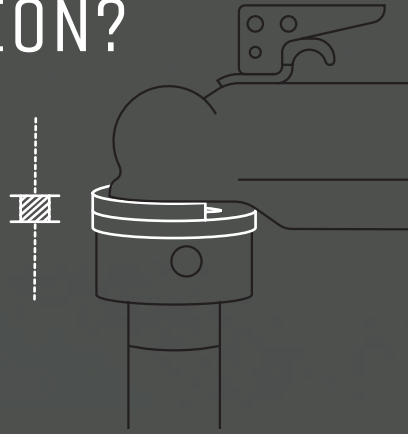
UNEVEN CONNECTION?

THRUST WASHER

Have an obstruction preventing a flat connection?

Place the **Thrust Washer** on top of the Ball Mount with the **open section facing the trailer**.

While hand-tightening the Ball Mount, hold the Thrust Washer in place to prevent it from spinning.



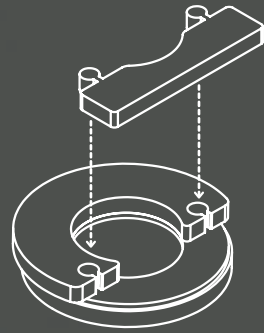
CONNECTION GAP?

THRUST WASHER WITH PUZZLE PIECE

Space between the Ball Mount and Coupler?

Install the **Thrust Washer** on top of the Ball Mount with the **Puzzle Piece** inserted.

Tighten Ball Mount as normal.

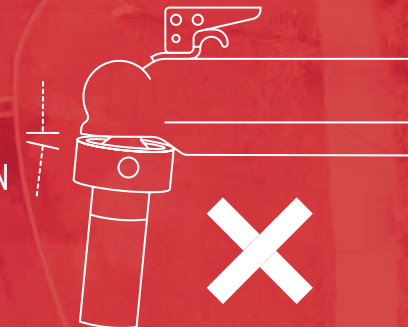


STILL HAVING TROUBLE?

SEE ALTERNATIVE CONNECTIONS (PAGE 13)

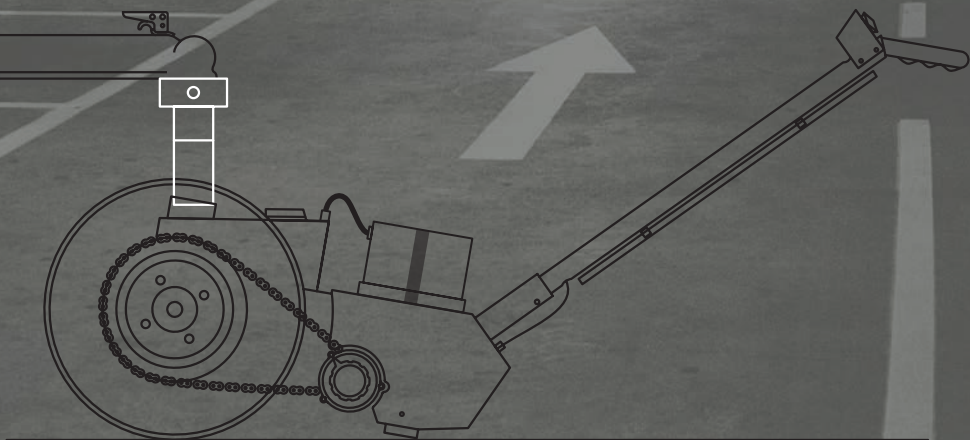
⚠ DANGER

OPERATING WITH A LOOSE OR UNEVEN CONNECTION CAN CAUSE DAMAGE TO YOUR TRAILER OR PERSONAL INJURY.



ALIGN THE DOLLY

Wheel the dolly underneath the **Ball Mount**. Lower the trailer to drop the **Ball Mount** into the **Receiver Tube** until there is no gap.



ENGAGE MOTOR INTO DRIVE

CONNECT BATTERY

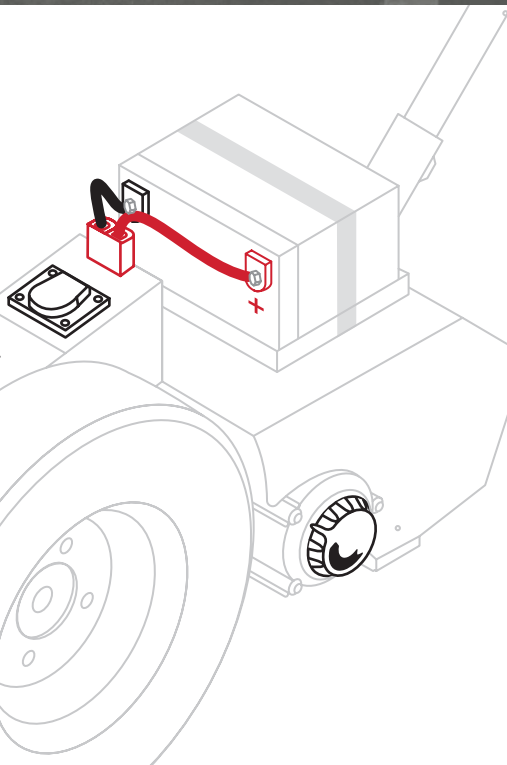
Plug the 6" cable into the dolly to turn it on.

ENGAGE MOTOR

Turn the motor knob to "Engage".

CONNECT TRAILER'S BRAKES

Plug into the dolly's 7-pin brake connector.

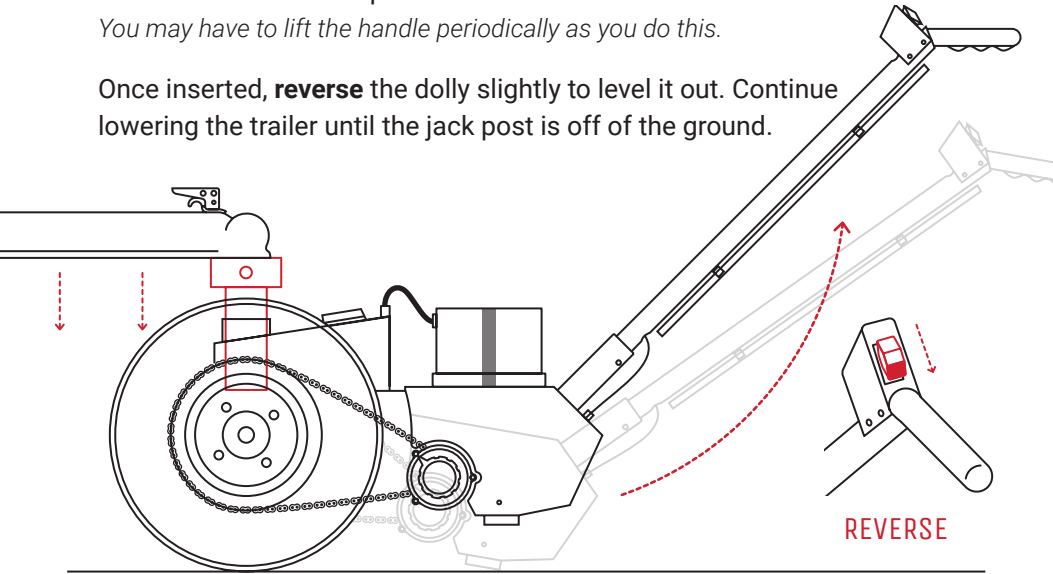


INSERT BALL MOUNT

Lower the trailer to drop the Ball Mount into the **Receiver Tube**.

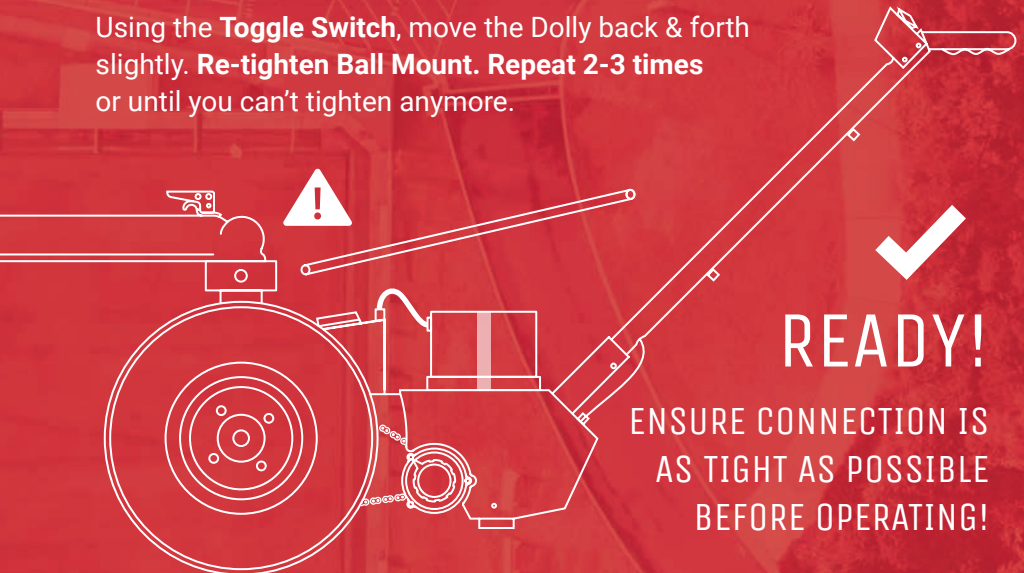
You may have to lift the handle periodically as you do this.

Once inserted, **reverse** the dolly slightly to level it out. Continue lowering the trailer until the jack post is off of the ground.



RE-TIGHTEN BALL MOUNT

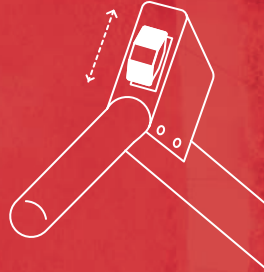
Using the **Toggle Switch**, move the Dolly back & forth slightly. **Re-tighten Ball Mount**. Repeat 2-3 times or until you can't tighten anymore.



PARKING YOUR TRAILER

Use the **Forward** and **Reverse** Toggle Switch to steer into tight spaces that are nearly impossible for vehicles.

Switch between **High** or **Low Speed** anytime using the **Intelligent Speed Control** Switch.



DISCONNECTING FROM TRAILER COUPLER

Chock Trailer Wheels to prevent a runaway trailer.

Unplug the Battery Cable from the dolly. **Raise the Trailer** to withdraw the **Ball Mount**, then switch the dolly to **Freewheel Mode**.

The Ball Mount can be removed or left on the hitch for later use.

STORAGE & MAINTENANCE

Freewheel the dolly to desired storage area, preferably under cover. Top up the tire pressure to a maximum of **40 PSI** as needed.

Charging the Battery: Following the instructions on page 3, fully charge the battery every 2-3 months. While in storage, disconnect the battery and handle cable from the dolly to prevent battery drain.

Grease the Receiver Tube and **Lubricate the Chain** with **Chain Lube**. Can be done annually, or more often if used more frequently.

CALL TOLL-FREE:
1-888-926-5517
sales@parkit360.com

OFFICE HOURS:
WEEKDAYS 8:30AM - 5PM EST
support@parkit360.com

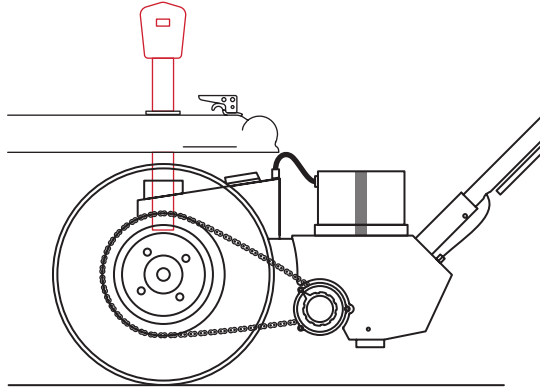
ALTERNATIVE CONNECTIONS

* **WARNING:** DO NOT EXCEED 800 LBS TONGUE WEIGHT FOR STARRED (*) CONNECTIONS. NEVER EXCEED THE DOLLY'S MAX WEIGHT RATING.

TRAILER JACK POST *

Remove the Ball Mount Adapter. Lower the Trailer Jack into the Dolly's **Receiver Tube**, following the standard connection process.

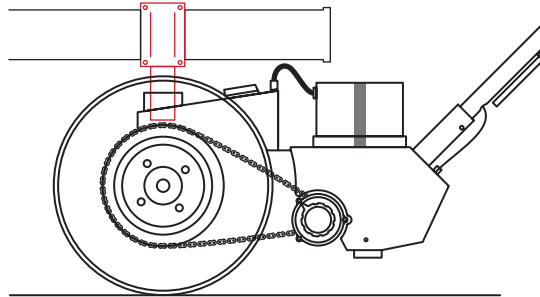
The trailer should rest as close to the dolly's tires as possible to reduce strain on the jack shaft.



TELESCOPIC FRAME ADAPTER *

Remove the Ball Mount Adapter. **Attach the Telescopic Adapter to the Y section of the trailer frame.**

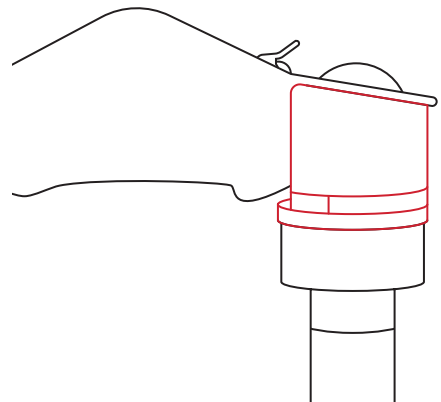
Lower the Telescoping Pipe into the dolly, following the standard connection process. Secure with the adapter's locking pin.



THRUST WASHER: ATWOOD HITCH ADAPTER

With the **Thrust Washer** base on the **Ball Mount**, interlock the **Atwood Adapter** piece.

Thread the **Hitch Ball** and tighten as normal. Hold the adapter in place to prevent it from spinning.



2 YEAR PARTS & REPAIR WARRANTY

Your Parkit360 Force trailer dolly is covered for 2 years from the initial date of purchase. If a defect is found during this time, contact us with the original sales receipt number and details of the fault encountered. Our technical support will attempt to solve the issue remotely. If the issue appears to be caused by defective parts, we will provide free replacement parts, excluding shipping costs. If the 2 Year Warranty has expired or if you are not the original owner, you will have to pay the cost of parts and shipping. This repair will be covered for 3 months, starting 7 days from the date of shipment. The Repair Warranty will expire either at the end of the 3 month period, or at the expiration of the original 2-Year Warranty, whichever is later.

30 DAY RETURN POLICY

If a material defect is found or if the Parkit360 Force dolly has failed to perform to your expectations, return it within 30 days of the date of sale for a refund, less the flat shipping cost of \$250 and \$100 restocking fee.

1. Pack the **dolly, accessories** and **U1 Battery Kit** back into the box that it came in. (*Need help repackaging? Contact Us.*)
2. Call us at **1-888-926-5517** to let us know when your package is ready. Please provide us with your **sales receipt** or **online order number**.
3. Our staff will provide you with an **RMA#** that must be written on the box prior to sending. We will email you a **return shipping label** that must be affixed to the box prior to drop off at your nearest FedEx Depot. (*If you are unable to drop off the box, pick-up can be arranged.*)
4. Receive your refund minus the shipping and restocking fee once the dolly arrives at our warehouse.

EXCLUSIONS AND LIMITATIONS

The 2-Year Warranty and 30 Day Return Policy do not cover:

- *Normal wear and tear of the Parkit360 from use*
- *Shipping costs for returns or repairs*
- *Customer neglect and improper use or storage of the Parkit360*
- *Modified dollies, or if the serial number has been altered or removed*
- *12V U1 Batteries are covered separately by an **Interstate® 1 Year Warranty**.*

Find a service location near you: interstatebatteries.com/location-finder



DANGER

DO NOT EXCEED DOLLY'S
MAX. WEIGHT CAPACITY

RE-TIGHTEN BALL MOUNT
BEFORE OPERATION

DO NOT OPERATE ON MORE
THAN A 6% GRADE



Parkit360°

PARKIT360 INC.

130 Industrial Ave, Unit 600

Carleton Place, ON K7C 3T2 Canada

1-888-926-5517 or Parkit360.ca