

FORCE WITH INTELLIGENT SPEED CONTROL™

5K & 10K MANUAL

VERSION 4.5



READ CAREFULLY BEFORE OPERATION

IMPROPER USE OF THIS DOLLY CAN
CAUSE DAMAGE TO YOUR TRAILER,
PERSONAL INJURY OR EVEN DEATH.



DANGER

IN THE BOX

PACKAGES INCLUDE:

Force Dolly & Handle

Ball Mount: 18", 20" or 24"

Tightening Bar

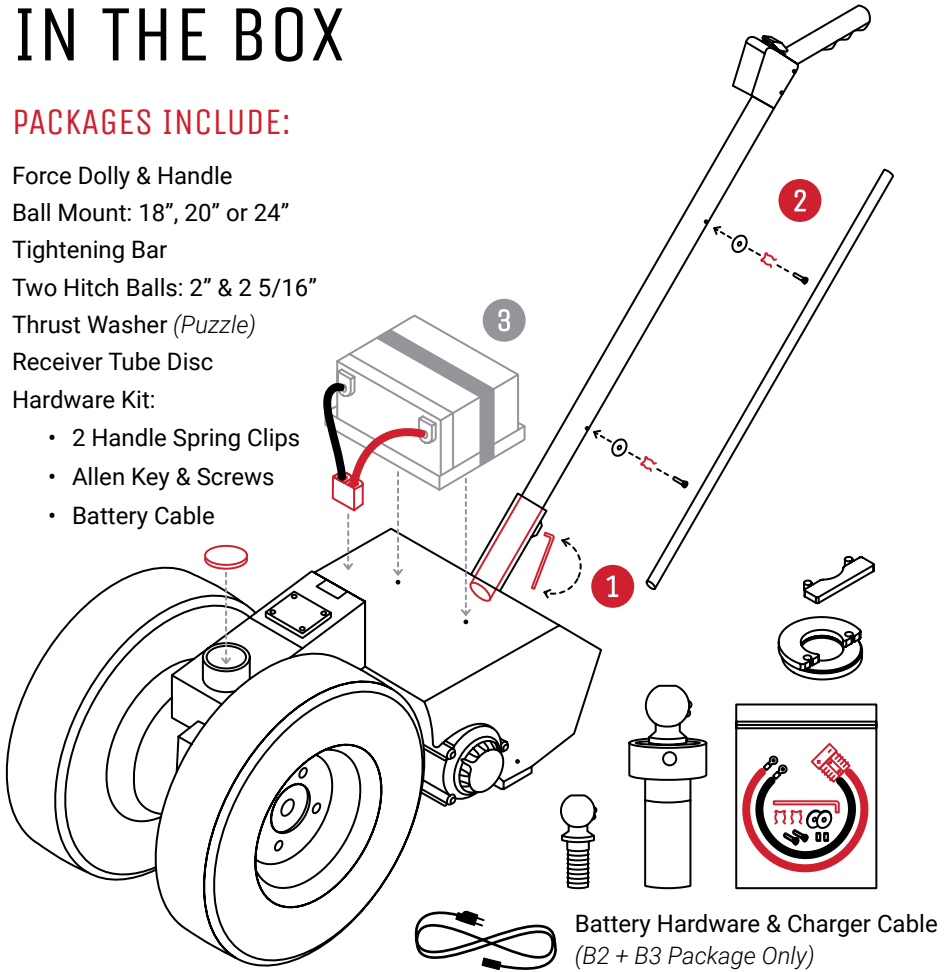
Two Hitch Balls: 2" & 2 5/16"

Thrust Washer (*Puzzle*)

Receiver Tube Disc

Hardware Kit:

- 2 Handle Spring Clips
- Allen Key & Screws
- Battery Cable



Battery Hardware & Charger Cable
(B2 + B3 Package Only)

ASSEMBLY

Insert the **Handle** into the Dolly and tighten both **Allen Screws** to secure it. Plug the **Handle Cable** into the Port on the Dolly's Module. Install both **Spring Clips** onto the Handle for easy access to the **Tightening Bar**.

Install the **Interstate® U1 Sealed Battery** on its side, with the Terminals facing the dolly's power plug. Only included with the **B2** and **B3** package.



FEATURES

SMART BRAKE (B2+B3)

7-Way Power Plug that Controls the Trailer's Electric or Surge Brakes.

BATTERY CABLE PLUG

Power the Dolly with an On-board Battery or Connect to a Trailer Battery.

INTELLIGENT SPEED CONTROL™

Toggle between High and Low Speed. Motor Starts and Stops gradually for a smoother parking experience.

FREEWHEEL KNOB

Engages/Disengages Motor to switch between Drive and Neutral. (Page 4)

OPTIONAL PARTS

Telescopic Frame Adapter

EZ Connect Adapter

1 7/8" or 50mm Hitch Ball

Pintle Hitch Adapter

Atwood Hitch Adapter

Smart Brake

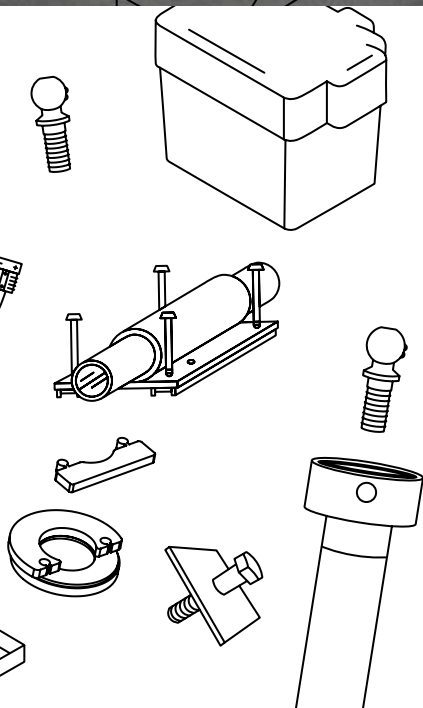
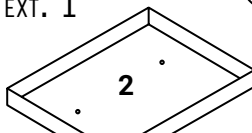
U1 Battery Kit

Battery Box Kit

ORDER ONLINE OR **CALL TOLL-FREE:**

1-888-926-5517 EXT. 1

PARKIT360.CA

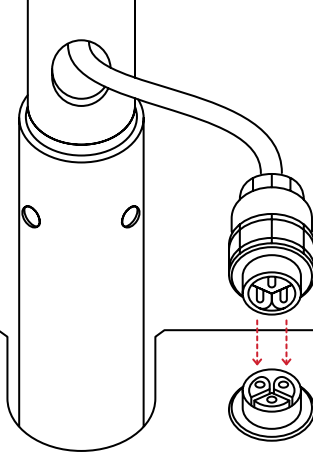


MODULE FEATURES

HANDLE PLUG

Plug in and twist locking cap over connection.

Unplug cable while charging the battery.



FORCE WITH INTELLIGENT SPEED CONTROL™



1



2



DANGER: DO NOT EXCEED MAXIMUM WEIGHT CAPACITY OF THIS UNIT! CAN CAUSE DAMAGE TO YOUR TRAILER OR SERIOUS INJURY. REFER TO USER MANUAL BEFORE OPERATION. DO NOT OPERATE ON MORE THAN 6% GRADE. ENSURE UNIT IS STABLE BEFORE OPERATING.



3



CIRCUIT BREAKERS

By default, the Brake Button protrudes more than the Motor.

BATTERY CHARGER 4

To Charge the U1 Battery:

Connect the Battery and Charger Cables to the Dolly. Plug the opposite end into a Wall Socket. Unplug after an overnight charge.



1 ISC CONTROL™

While parking your trailer, switch between High or Low Speed anytime by flipping the toggle switch.

Motor speed starts and stops gradually for better traction and a smoother parking experience.

3 CIRCUIT BREAKERS

Prevents Motor and Smart Brake from overheating.

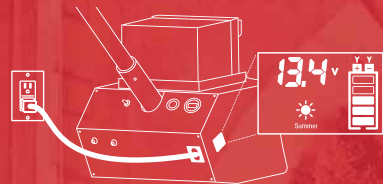
If a breaker trips, the Reset Button will extend up to 1/2" from the panel.

Allow 30 seconds for the system to cool down, then press Reset.

2 VOLT METER

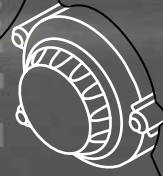
Displays the Battery Voltage while the dolly is in use. Fully charged batteries rest between 12.6 to 13V.

4 BATTERY CHARGER DISPLAY



Use the LCD Display on the right side of the dolly to monitor the **Charging Voltage and Amperage**. Disconnect the charger after an over-night charge to extend battery life.

FREEWHEEL KNOB: SWITCHING GEARS

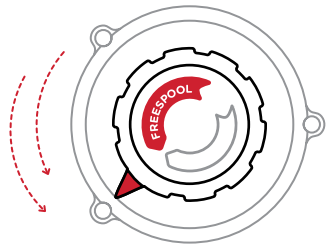


FREEWHEEL/SPOOL

NEUTRAL. MOVE THE DOLLY WITHOUT POWER WHILE IT IS NOT UNDER LOAD.

Turn the knob in the direction of the Freespool arrow until it stops. Freely move the dolly to and from the trailer in this mode.

This mode is intended for transportation only.



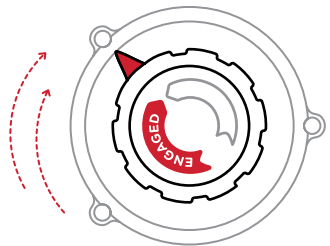
DRIVE

ENGAGE THE MOTOR TO CONNECT TO THE TRAILER AND PARK WITH POWER.

Ensure the Dolly is in parking position underneath the trailer hitch.

Turn the knob in the direction of the Engaged arrow until it stops and clicks into position. Rock the Dolly back and forth to ensure the motor is engaged.

When pushed manually in this mode, the Dolly will only move an inch forwards or backwards before stopping.



POWER OPTIONS

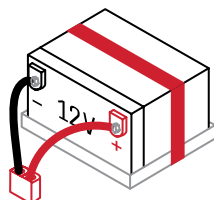
DOLLY-MOUNTED BATTERY

U1 BATTERY KIT

Connect the 6" Cable to both battery terminals with the provided hardware. Plug the cable into the Dolly to turn it ON.

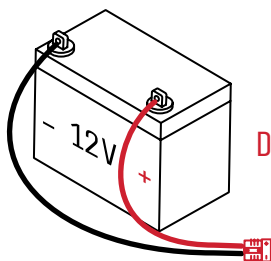
12v U1 SEALED BATTERY

CONNECT 6" BATTERY CABLE



BATTERY BOX KIT

Install the Battery Box with the strap provided. Use the 20" Cable to connect to a 12 Volt Group 24 Deep Cycle or Marine Battery.



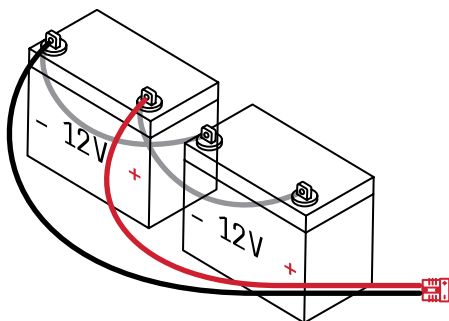
12v GROUP 24 DEEP CYCLE BATTERY

CONNECT 20" OR 80" BATTERY CABLE

TRAILER BATTERY

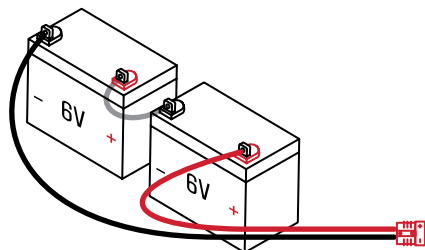
TWO 12v BATTERIES

Connect the 80" Cable to either Trailer Battery:



TWO 6v BATTERIES

Connect the 80" Cable across Both Batteries:



PLUG IN TO POWER ON
UNPLUG TO POWER OFF.



DANGER

DO NOT EXCEED DOLLY'S MAX. WEIGHT CAPACITY

CAN CAUSE DAMAGE TO YOUR TRAILER,
SERIOUS INJURY, OR EVEN DEATH.

FORCE 5K

UP TO 5,000 LBS

FORCE 10K

UP TO 10,000 LBS

RE-TIGHTEN BALL MOUNT BEFORE OPERATION

USE JACK POST CONNECTION OR TELESCOPIC
FRAME ADAPTER FOR TRAILERS:

- BETWEEN 8,000-10,000 LBS GROSS WEIGHT
- WITH MORE THAN 800 LBS TONGUE WEIGHT
- WITH ARTICULATED HITCHES

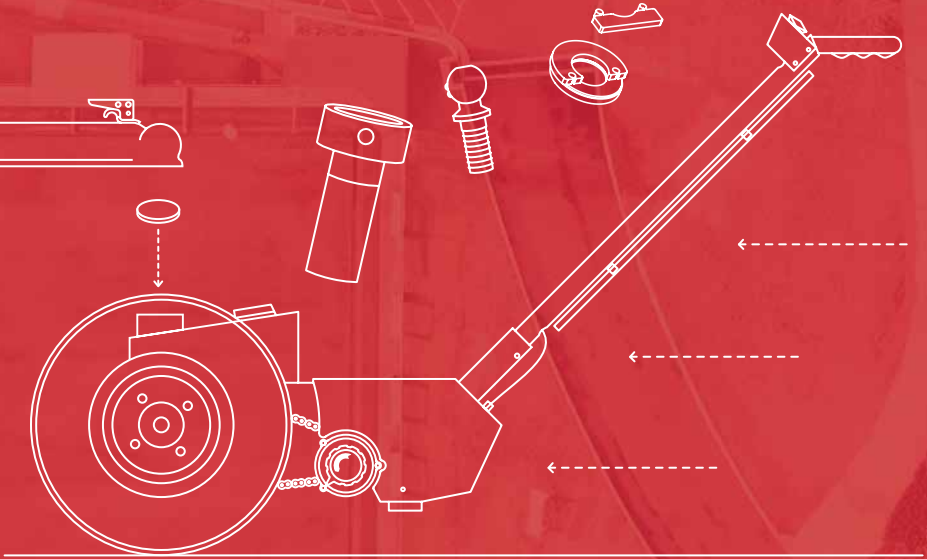
DO NOT OPERATE ON MORE THAN 6% GRADE

RISK OF RUNAWAY TRAILER.
DO NOT OPERATE ON STEEP INCLINES.

CONNECTING TO YOUR TRAILER:

BALL MOUNT ADAPTER

While in **Freewheel Mode**, move the Dolly and Accessories to the Trailer. Choose your preferred **Hitch Ball Size**, and assemble the **Ball Mount**. Ensure the **Receiver Tube Disc** is installed for greater stability.

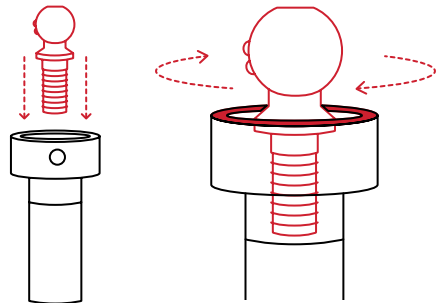


BALL MOUNT ASSEMBLY

HITCH BALL

Thread desired **Hitch Ball** into the Ball Mount. Apply a generous portion of **All-Purpose Grease** along the top surface of the **Ball Mount Collar**.

The shoulder of the Hitch Ball should rest slightly below the top of the collar.

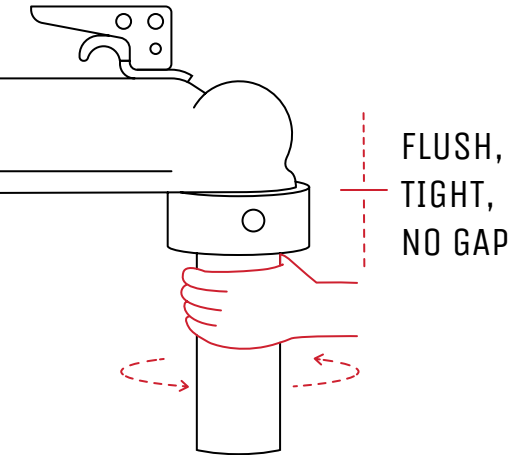
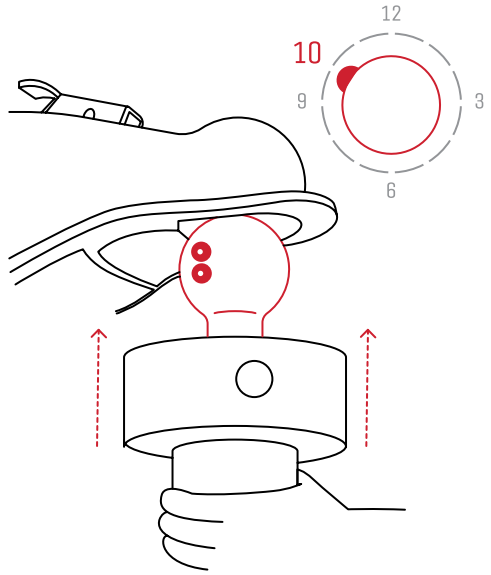


HITCH BALL PLACEMENT

WELD SPOTS

Insert the assembled Ball Mount into the Hitch and lock as normal.

Make sure the **Weld Spots** on the Hitch Ball are pointed towards the **rear left side of your trailer at about 10 o'clock**.



HITCH CONNECTION

Turn the Ball Mount **Counterclockwise** until the gap between the Ball Mount Collar and Trailer Tongue closes **tightly, with no gap**.

Have a **Gap or Step Down Hitch** preventing a flush connection?
SEE PAGE 9

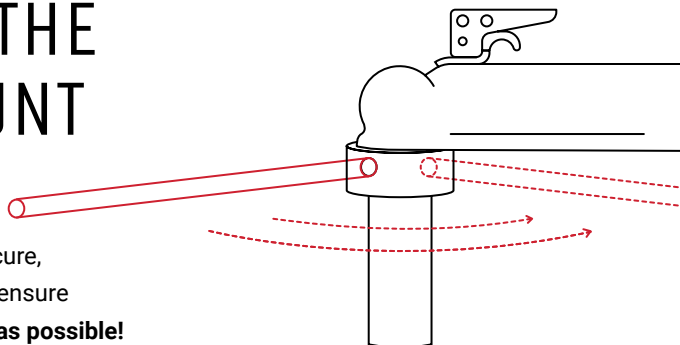


TIGHTEN THE BALL MOUNT

TIGHTENING BAR

Once the Ball Mount is secure, use the **Tightening Bar** to ensure the connection is **as tight as possible!**

This will take a few rotations.



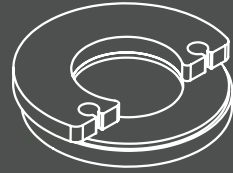
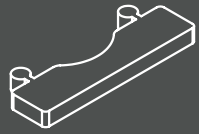
CONNECTION GAP?

THRUST WASHER WITH PUZZLE PIECE

Space between the Ball Mount and Coupler?

Install the **Thrust Washer** on top of the Ball Mount with the **Puzzle Piece** facing the Parkit360 Dolly

Tighten Ball Mount as normal.



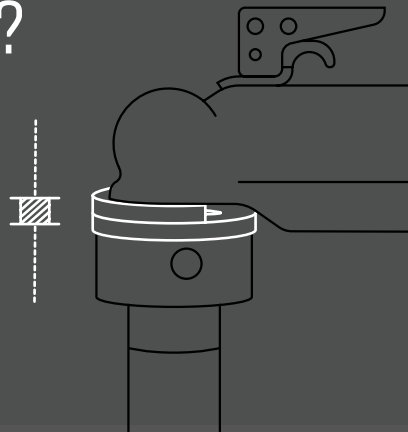
STEP DOWN HITCH?

THRUST WASHER

Have an obstruction preventing a flat connection?

Place the **Thrust Washer** on top of the Ball Mount with the **open section facing the trailer**.

While tightening, hold the Thrust Washer in place to prevent it from spinning.

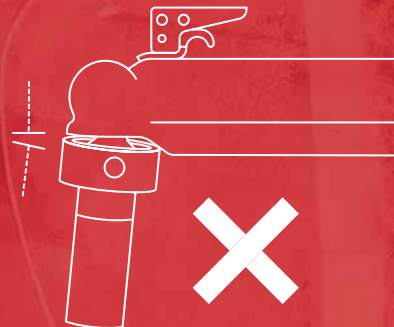


STILL HAVING TROUBLE?

SEE ALTERNATIVE CONNECTIONS (PAGE 13)

⚠ DANGER

OPERATING WITH A LOOSE OR UNEVEN CONNECTION CAN CAUSE DAMAGE TO YOUR TRAILER OR PERSONAL INJURY.



ENGAGE MOTOR INTO DRIVE

CONNECT BATTERY

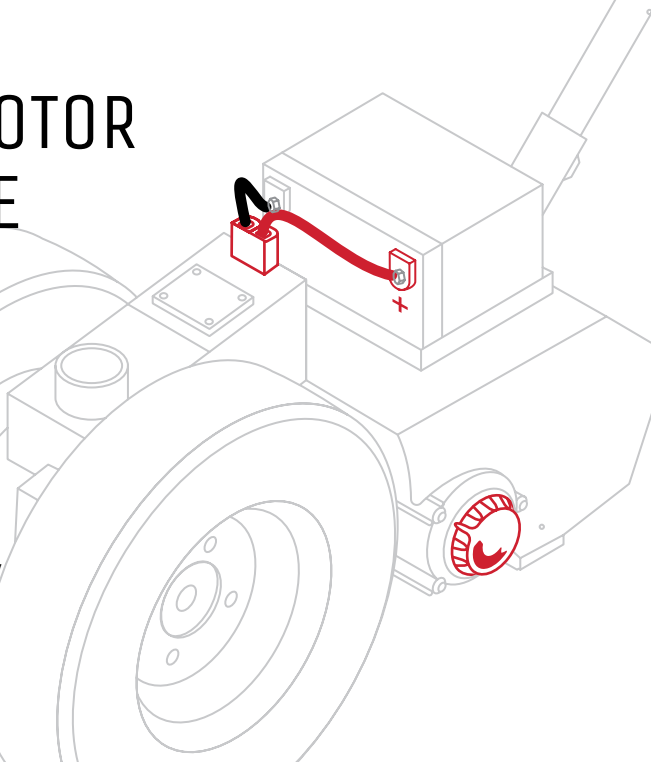
Plug the Battery Cable into the Dolly to turn it ON.

12v U1 Sealed Battery shown.

ENGAGE MOTOR

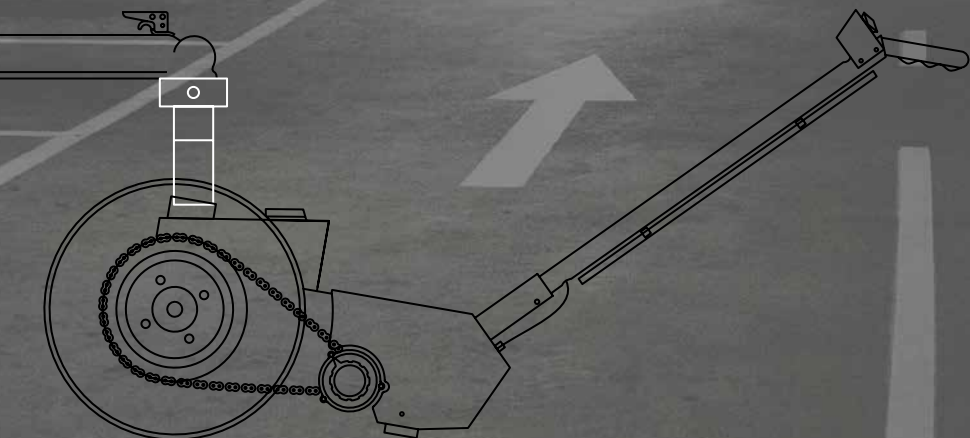
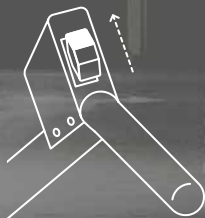
Ensure the Dolly is in Drive by turning the Freewheel Knob towards the Engaged Arrow.

See page 4 for details.



ALIGN THE DOLLY

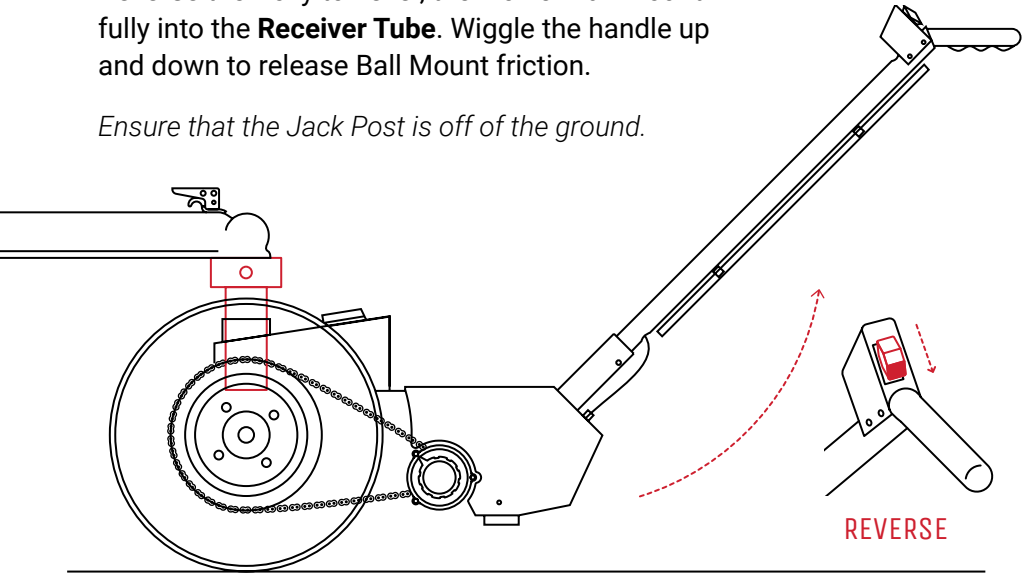
Using the **Handle Toggle Switch**, Drive the Dolly underneath the hitch. Align the **Ball Mount** with the top of the Dolly's **Receiver Tube**.



INSERT BALL MOUNT

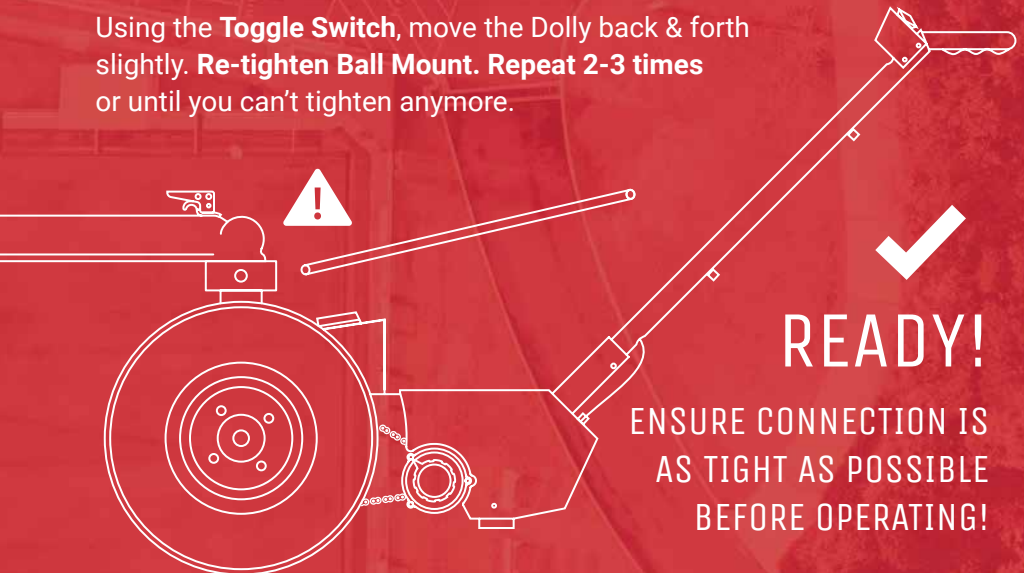
Reverse the Dolly to **Level**, then lower Ball Mount fully into the **Receiver Tube**. Wiggle the handle up and down to release Ball Mount friction.

Ensure that the Jack Post is off of the ground.



RE-TIGHTEN BALL MOUNT

Using the **Toggle Switch**, move the Dolly back & forth slightly. **Re-tighten Ball Mount**. Repeat 2-3 times or until you can't tighten anymore.



PARKING YOUR TRAILER

Use the **Forward** and **Reverse** Toggle Switch to steer into tight spaces that are nearly impossible for vehicles.

Switch between **High** or **Low Speed** anytime using the **Intelligent Speed Control** Switch.



DISCONNECTING THE HITCH

Chock Trailer Wheels to prevent a runaway trailer.

Unplug the Battery Cable from the Dolly. **Raise the Trailer** to withdraw the **Ball Mount**, then switch to **Freewheel Mode**.

The Ball Mount can be removed or left on the hitch for later use.

STORAGE & MAINTENANCE

Freewheel the Dolly to desired storage area, preferably under cover.

Charging the Battery: Ensure the Battery and Charger Cables are connected to the Dolly. Plug the Charger Cable into a nearby outlet. To extend battery life, charge overnight then disconnect while in storage. Unplug the Handle cable to prevent accidental operation.

Grease the Receiver Tube and **Lubricate the Chain** with **Chain Lube**. Can be done annually, or more often if used more frequently.

CALL TOLL-FREE:
1-888-926-5517

Ext. 1 - Sales & Service
Ext. 2 - Administration

OFFICE HOURS (WEEKDAYS)
8AM-4PM EST

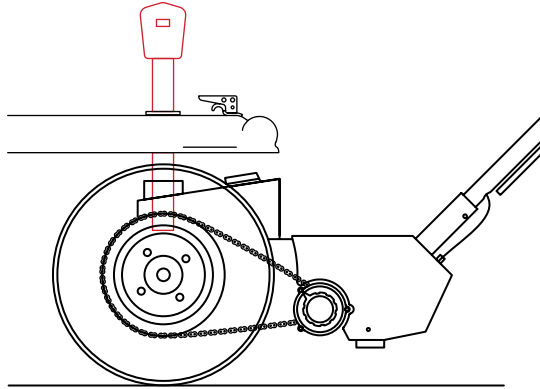
sales@parkit360.com
admin@parkit360.com
support@parkit360.com

ALTERNATIVE CONNECTIONS

TRAILER JACK POST

Remove the Ball Mount Adapter.
Lower the Trailer Jack into the Dolly's **Receiver Tube**, following the standard connection process.

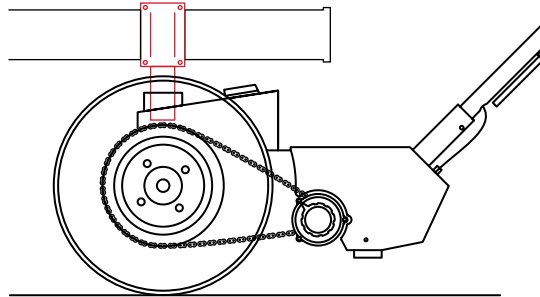
The trailer should rest as close to the Dolly's Tires as possible to reduce strain on the Jack Shaft.



TELESCOPIC FRAME ADAPTER

Remove the Ball Mount Adapter.
Attach the Telescopic Adapter to the Y section of the trailer frame.

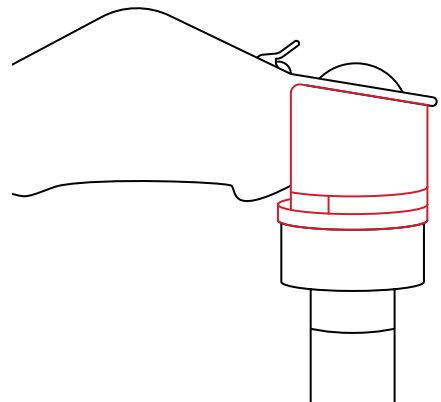
Lower the Telescoping Pipe into the Dolly, following the standard connection process. Slide the Adapter's locking pin into place.



THRUST WASHER: ATWOOD HITCH ADAPTER

With the **Thrust Washer** base on the **Ball Mount**, interlock the **Atwood Adapter** piece.

Thread the **Hitch Ball** and Tighten as Normal. Hold the adapter in place to prevent it from spinning.



2 YEAR PARTS & REPAIR WARRANTY

Your Parkit360 Force Dolly is covered for 2 years from the initial date of purchase. If a defect is found during this time, contact us with the original sales receipt number and details of the fault encountered.

Our Technical Support will attempt to solve the issue remotely. If the issue appears to be caused by defective parts, we will provide free replacement parts, excluding shipping costs.

If the 2 Year Warranty has expired or if you are not the original owner, you will have to pay the cost of parts and shipping. This repair will be covered for 3 months, starting 7 days from the date of shipment.

The Repair Warranty will expire either at the end of the 3 month period, or at the expiration of the original 2 -Year Warranty, whichever is later.

30 DAY RETURN POLICY

If a material defect is found or if the Parkit360 Force Dolly has failed to perform to your expectations, return it within 30 days of the date of sale for a refund, less the flat shipping cost of \$250 and \$100 restocking fee.

1. Pack the **Dolly** and **U1 Battery Kit** back into the box that it came in.
2. Call us at **1-888-926-5517 x 1** to let us know when your package is ready. Please provide us with your Sales Receipt or Online Order number.
3. Our staff will provide you with an **RMA#** that must be written on the box prior to sending. We will email you a Return Shipping Label that must be affixed to the box prior to drop off at your nearest FedEx Depot.
(If you are unable to drop off the Unit, Pick-Up can be arranged.)
4. Receive your refund minus the shipping and restocking fee once the Dolly arrives at our warehouse.

EXCLUSIONS AND LIMITATIONS

The 2 Year Warranty and 30 Day Return Policy do not cover:

- *Normal wear and tear of the Parkit360 from use*
- *Shipping Costs for Returns / Repairs*
- *Customer Neglect and Improper Use or Storage of the Parkit360*
- *Modified Dollies, or if the Serial Number has been altered or removed*



DANGER

DO NOT EXCEED DOLLY'S
MAX. WEIGHT CAPACITY

RE-TIGHTEN BALL MOUNT
BEFORE OPERATION

DO NOT OPERATE ON MORE
THAN A 6% GRADE



Parkit360°

PARKIT360 INC.

130 Industrial Ave, Unit 600

Carleton Place, ON K7C 3T2 Canada

1-888-926-5517 or Parkit360.ca