

# FORCE WITH INTELLIGENT SPEED CONTROL™

## 5K & 10K MANUAL

VERSION 4.1



## READ CAREFULLY BEFORE OPERATION

IMPROPER USE OF THIS DOLLY CAN  
CAUSE DAMAGE TO YOUR TRAILER,  
PERSONAL INJURY OR EVEN DEATH.



## DANGER

# IN THE BOX

## PACKAGES INCLUDE:

Force Dolly & Handle

Ball Mount: 18", 20" or 24"

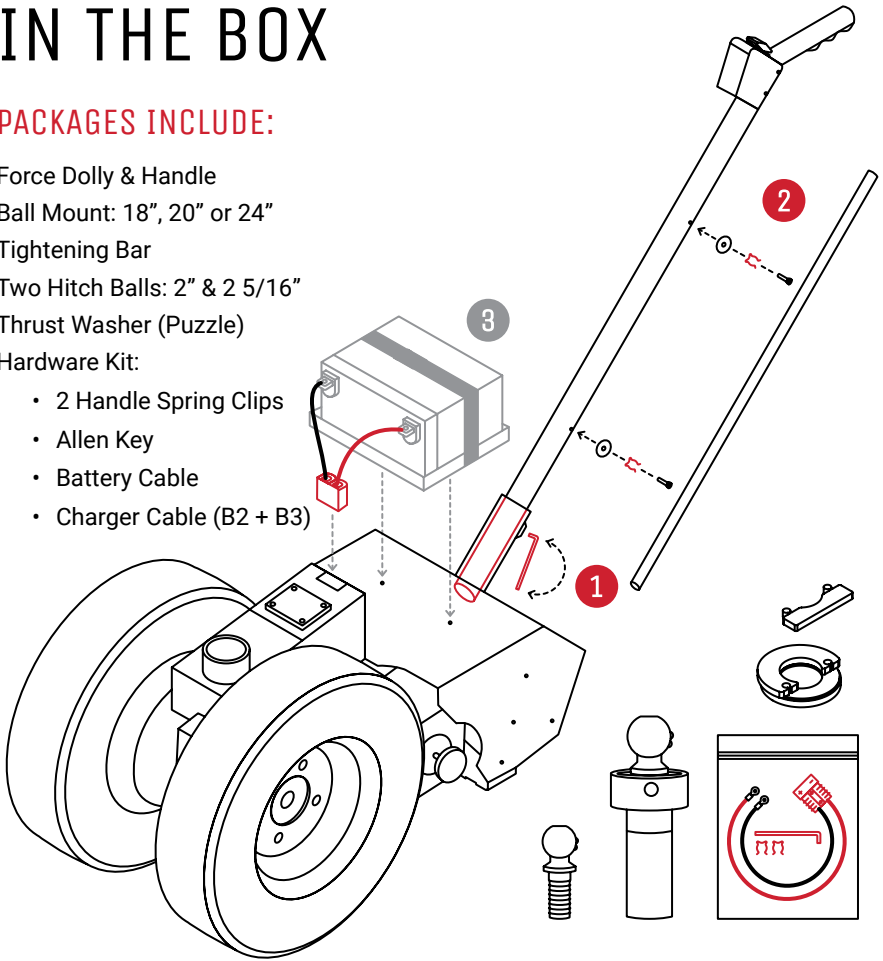
Tightening Bar

Two Hitch Balls: 2" & 2 5/16"

Thrust Washer (Puzzle)

Hardware Kit:

- 2 Handle Spring Clips
- Allen Key
- Battery Cable
- Charger Cable (B2 + B3)



# ASSEMBLY

Insert the **Handle** into the Dolly and tighten both **Allen Screws** to secure it. Plug the **Handle Cable** into the Port on the Dolly's Module. Install both **Spring Clips** onto the Handle for easy access to the **Tightening Bar**.

**U1 Battery Kit:** Pre-installed when purchased with a B2 or B3 Dolly.

**Battery Box Kit:** Mount the Plastic Battery Box with the provided Strap.

# FEATURES

## SMART BRAKE (B2+B3)

7-Way Power Plug that Controls the Trailer's Electric or Surge Brakes.

## BATTERY CABLE PLUG

Power the Dolly with an On-board Battery or Connect to a Trailer Battery

## INTELLIGENT SPEED CONTROL™

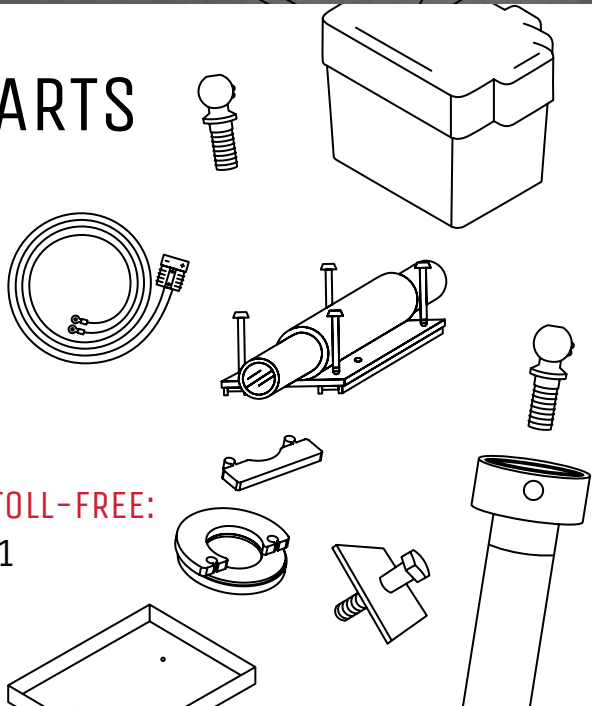
Toggle between High and Low Speed. Motor Starts and Stops gradually for a smoother parking experience.

## FREEWHEEL KNOB

Engages or Disengages Motor to move the Dolly With or Without Power.

# OPTIONAL PARTS

Telescopic Frame Adapter  
1 7/8" or 50mm Hitch Ball  
Pintle Hitch Adapter  
Atwood Hitch Adapter  
Smart Brake  
U1 Battery Kit  
Battery Box Kit



**ORDER ONLINE OR CALL TOLL-FREE:**

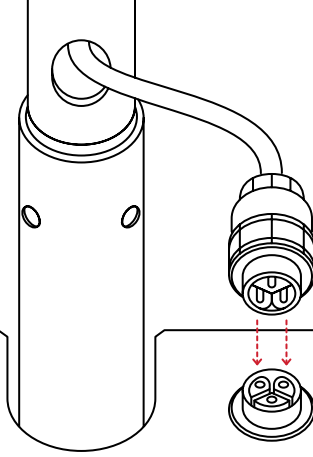
**1-888-926-5517 EXT. 1**

**PARKIT360.COM**

# MODULE FEATURES

## HANDLE PLUG

Plug in and Twist locking cap over connection. Unplug while charging.



**FORCE**  
WITH  
*INTELLIGENT  
SPEED CONTROL™*



1



2



**DANGER: DO NOT EXCEED MAXIMUM WEIGHT CAPACITY OF THIS UNIT!**  
CAN CAUSE DAMAGE TO YOUR TRAILER OR SERIOUS INJURY. REFER TO USER  
MANUAL BEFORE OPERATION. DO NOT OPERATE ON MORE THAN 6% GRADE.  
ENSURE UNIT IS STABLE BEFORE OPERATING.



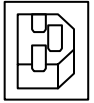
3



4

## CIRCUIT BREAKERS

By default, the Brake Button protrudes more than the Motor.



### 1 ISC CONTROL™

High and Low Speed options for Faster or more Precise Parking. Motor Speed Starts and Stops gradually for better traction and a smoother parking experience.

### 3 CIRCUIT BREAKERS

Prevents Motors and Smart Brake from overheating.

If a breaker trips, the Reset Button will extend up to 1/2" from the panel.

Allow 30 seconds for the system to cool down, then press Reset.

### 2 VOLT METER

Digital Meter that measures and displays Power Level of Battery. Fully Charged Batteries Rest between 12.6 to 13V.

### 4 BATTERY CHARGER

Ensure the Battery and Charger Cable are plugged into the Dolly. Plug the Charger Cable into a Wall Socket to charge. To prevent accidental operation while charging, unplug the Handle Cable. Stops charging automatically when charger is full.

# DRIVE MODES: FREEWHEEL KNOB

## FREEWHEEL

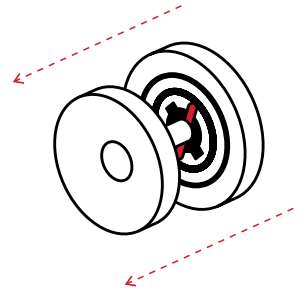
**NEUTRAL.** MOVE THE DOLLY WITHOUT POWER WHILE IT IS NOT UNDER LOAD.

If you are in Engaged Mode, the wheels will be locked in the drive position.

Without power, the Dolly will only move an inch forwards or backwards before stopping.

Rock the Dolly so the wheels rest in between these two stop points.

Pull on the Knob and turn it clockwise. Rest the small pin on the outer edge, not in the pin hole.



**REST PIN OUTSIDE**

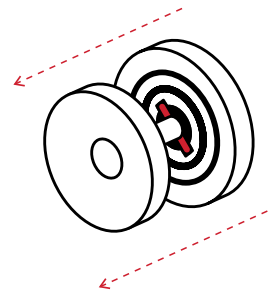
## ENGAGED

**DRIVE.** FOR CONNECTING TO THE TRAILER AND PARKING WITH POWER.

Ensure the Dolly is in parking position and ready to connect to the trailer hitch.

Pull on the Knob and turn it clockwise. Align the small pin with the corresponding slot.

Rock the Dolly back and forth. The knob will pop in with a “click”, engaging the Dolly into Drive.



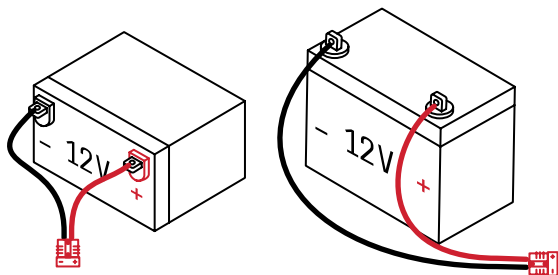
**PLACE PIN INSIDE**

# POWER OPTIONS

## DOLLY-MOUNTED BATTERY

### U1 BATTERY KIT

Plug the Pre-Installed Battery Cable into the Dolly to turn the Dolly ON or OFF.



### BATTERY BOX KIT

Install the Battery Box with the Strap Provided. Use the 20" or 80" Cable to connect to a 12V Group 24 Deep Cycle Battery.

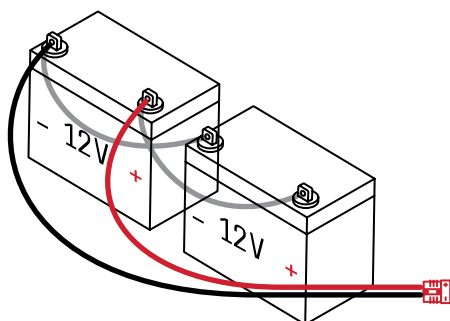
U1 SEALED  
6" BATTERY CABLE

12V GRP 24 OR MARINE  
20" OR 80" BATTERY CABLE

## TRAILER BATTERY

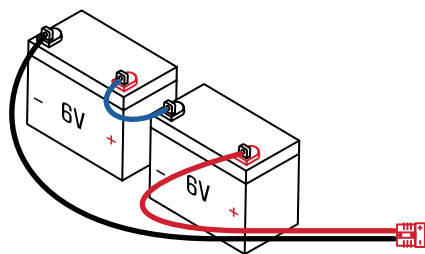
### TWO 12V BATTERIES

Connect the 80" Cable to either Trailer Battery:

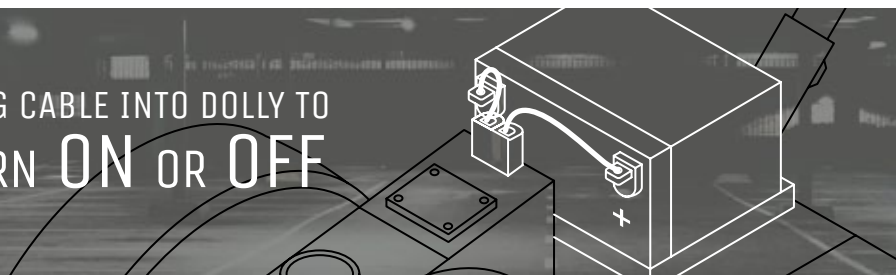


### TWO 6V BATTERIES

Connect the 80" Cable across Both Batteries:



PLUG CABLE INTO DOLLY TO  
TURN ON OR OFF





# DANGER

## DO NOT EXCEED DOLLY'S MAX. WEIGHT CAPACITY

CAN CAUSE DAMAGE TO YOUR TRAILER,  
SERIOUS INJURY, OR EVEN DEATH.

FORCE 5K

UP TO 5,000 LBS

FORCE 10K

UP TO 10,000 LBS

## RE-TIGHTEN BALL MOUNT BEFORE OPERATION

USE JACK POST CONNECTION OR TELESCOPIC  
FRAME ADAPTER FOR TRAILERS:

- BETWEEN 8,000-10,000 LBS GROSS WEIGHT
- WITH MORE THAN 800 LBS TONGUE WEIGHT
- WITH ARTICULATED HITCHES

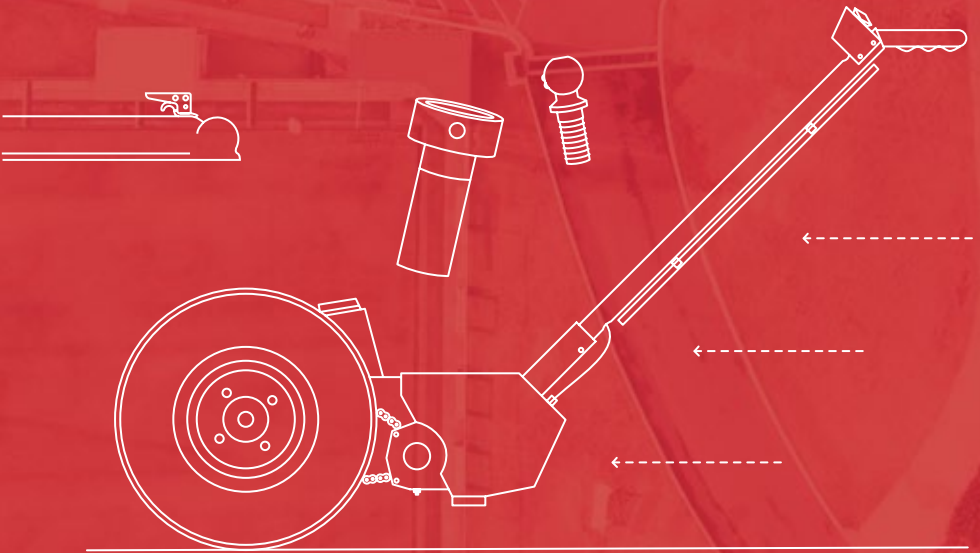
## DO NOT OPERATE ON MORE THAN 6% GRADE

RISK OF RUNAWAY TRAILER.  
DO NOT OPERATE ON STEEP INCLINES.

CONNECTING TO YOUR TRAILER:

# BALL MOUNT ADAPTER

While in **Freewheel Mode**, move the Dolly and Accessories to the Trailer. Choose your preferred **Hitch Ball Size**, and assemble the **Ball Mount**.

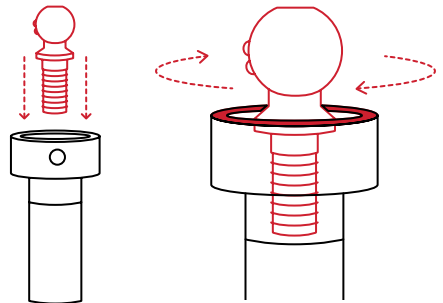


## BALL MOUNT ASSEMBLY

### HITCH BALL

Thread desired **Hitch Ball** into the Ball Mount. Apply a generous portion of **All-Purpose Grease** along the top surface of the **Ball Mount Collar**.

*The shoulder of the Hitch Ball should rest slightly below the top of the collar.*





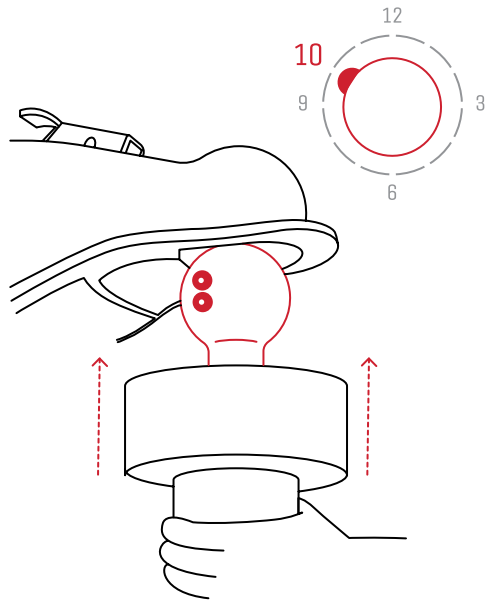
# HITCH BALL PLACEMENT

## WELD SPOTS

Insert the assembled Ball Mount into the Hitch and lock as normal.

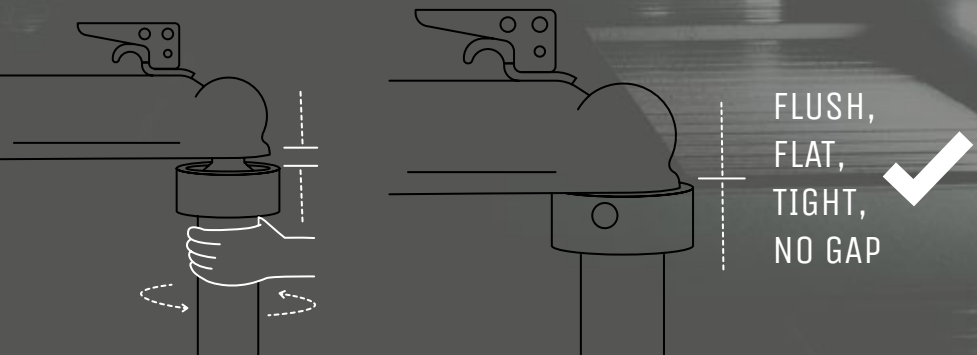
Make sure the **Weld Spots** on the Hitch Ball are pointed towards the **rear left side of your trailer at about 10 o'clock**.

*The hitch may not lock if they are not positioned properly!*



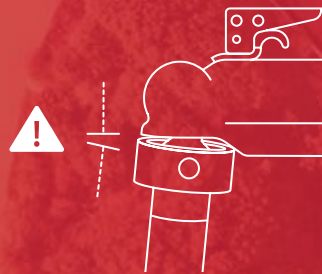
# HITCH CONNECTION

Turn the Ball Mount **Counter Clockwise** until the gap between the Ball Mount Collar and Trailer Tongue closes **tightly**, with **no gap**.



Have a **Step Down Hitch** or another obstruction preventing a flat connection?

SEE THRUST WASHER INSTALLATION.

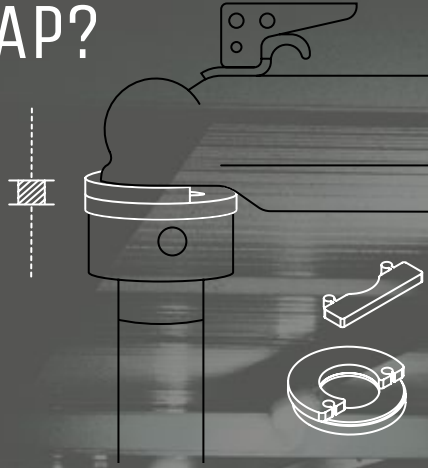


# CONNECTION GAP?

## THRUST WASHER

Place the **Thrust Washer** on top of the Ball Mount with the **open section facing the trailer**. While tightening, hold the Thrust Washer in place to prevent it from spinning.

*Need to increase Ball Mount Height?  
Interlock the Puzzle Piece.*



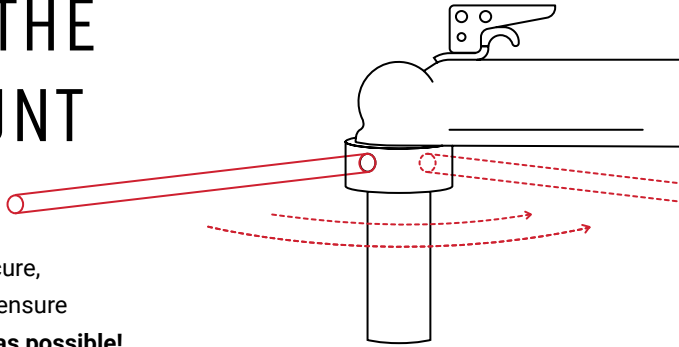
STILL HAVING TROUBLE? SEE ALTERNATE CONNECTIONS.

# TIGHTEN THE BALL MOUNT

## TIGHTENING BAR

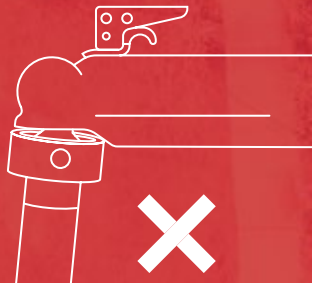
Once the Ball Mount is secure, use the **Tightening Bar** to ensure the connection is **as tight as possible!**

*This will take a few rotations.*



## ⚠️ DANGER

OPERATING WITH A LOOSE CONNECTION CAN CAUSE DAMAGE TO YOUR TRAILER, PERSONAL INJURY, OR EVEN DEATH.



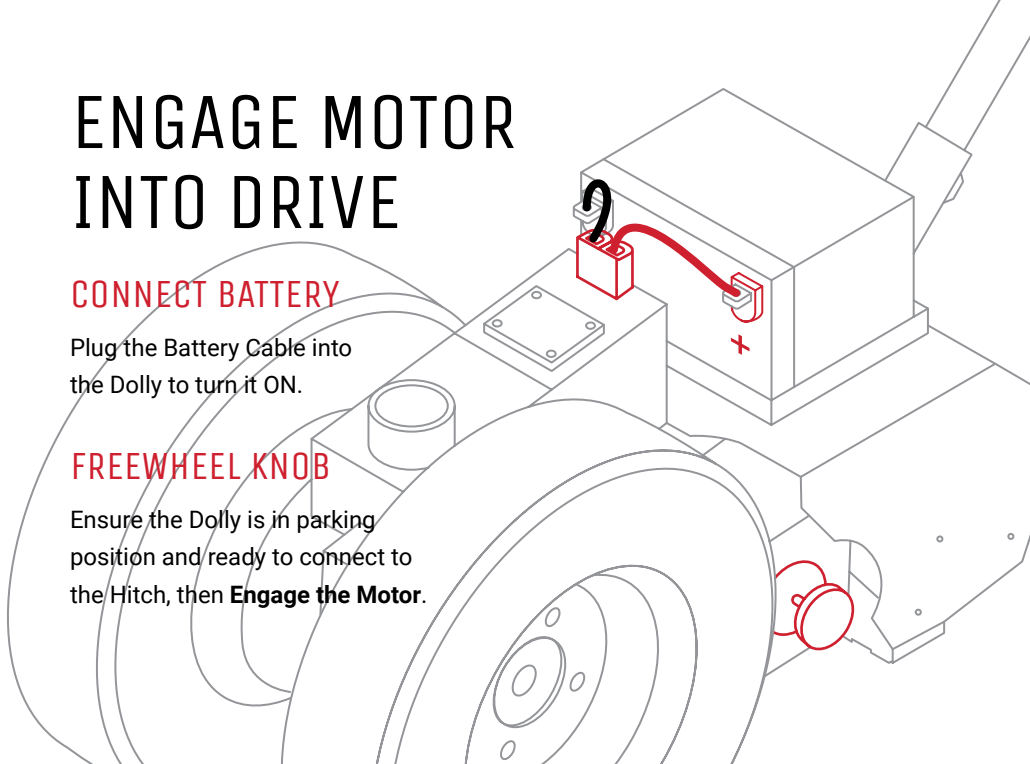
# ENGAGE MOTOR INTO DRIVE

## CONNECT BATTERY

Plug the Battery Cable into the Dolly to turn it ON.

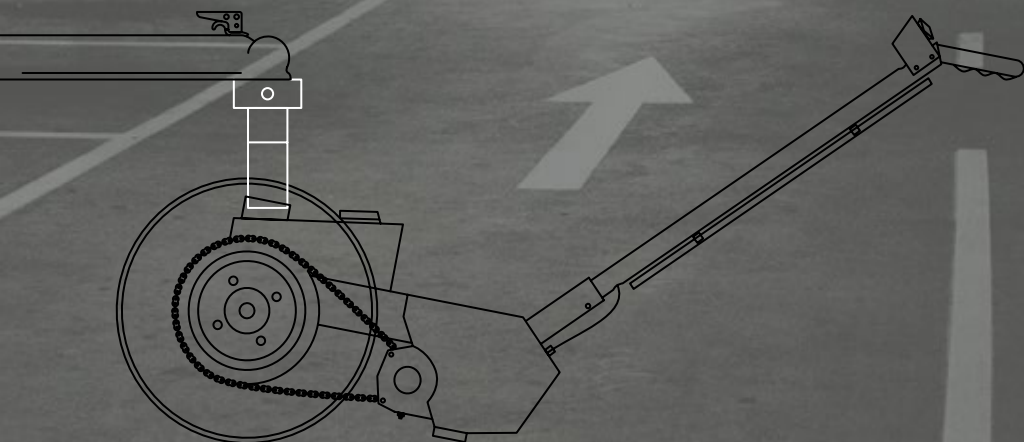
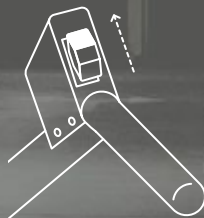
## FREEWHEEL KNOB

Ensure the Dolly is in parking position and ready to connect to the Hitch, then **Engage the Motor**.



# ALIGN THE DOLLY

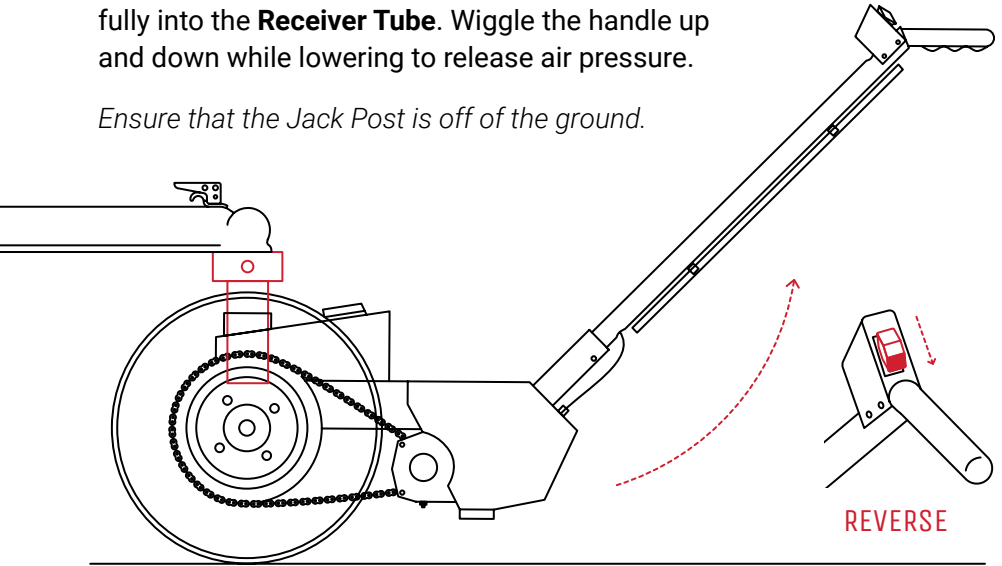
Using the **Handle Toggle Switch**, Drive the Dolly underneath the hitch. Align the **Ball Mount** with the top of the Dolly's **Receiver Tube**.



# INSERT BALL MOUNT

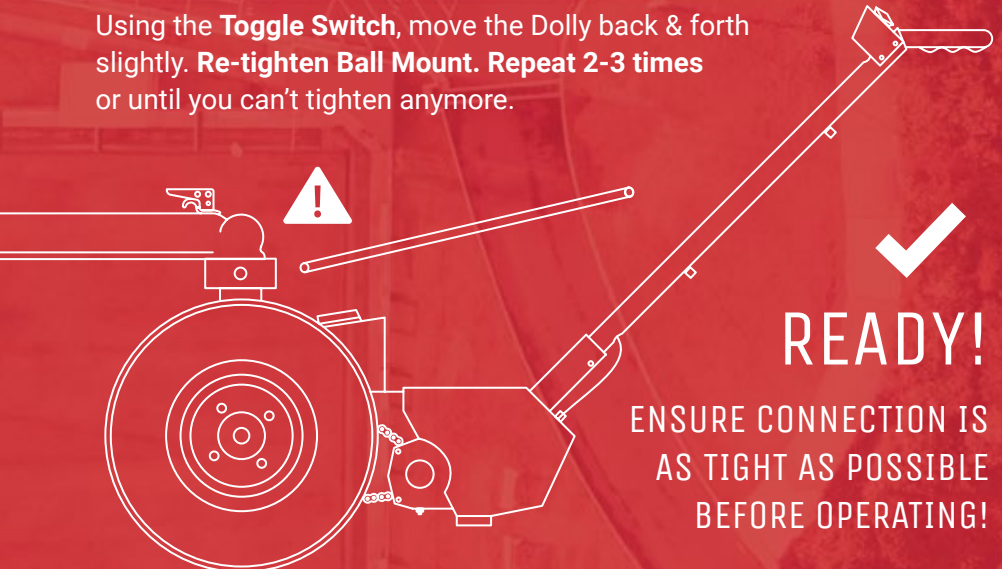
**Reverse** the Dolly to **Level**, then lower Ball Mount fully into the **Receiver Tube**. Wiggle the handle up and down while lowering to release air pressure.

*Ensure that the Jack Post is off of the ground.*



# RE-TIGHTEN BALL MOUNT

Using the **Toggle Switch**, move the Dolly back & forth slightly. **Re-tighten Ball Mount**. Repeat 2-3 times or until you can't tighten anymore.



**READY!**  
ENSURE CONNECTION IS  
AS TIGHT AS POSSIBLE  
BEFORE OPERATING!

# PARKING YOUR TRAILER

Use the **Forward** and **Reverse** Toggle Switch to steer into tight spaces that are nearly impossible for vehicles.

Switch between **High** or **Low Speed** anytime using the **Intelligent Speed Control** Switch.



# DISCONNECTING THE HITCH

**Chock Trailer Wheels** to prevent a runaway trailer.

**Unplug the Battery Cable** from the Dolly. **Raise the Trailer** to withdraw the **Ball Mount**, then switch to **Freewheel Mode**.

*The Ball Mount can be removed or left on the hitch for later use.*

# STORAGE & MAINTENANCE

Freewheel the Dolly to desired storage area, preferably under cover.

**Charging the On-Board Battery:** Plug the Battery Cable into the Dolly. Unplug the Handle Cable, then plug the Dolly's Charger Cable into a wall outlet. Stops charging automatically when full.

**Grease the Receiver Tube** and **Lubricate the Chain** with **Chain Lube**. Can be done annually, or more often if used more frequently.

CALL TOLL-FREE:  
1-888-926-5517

Ext. 1 - Sales & Service  
Ext. 2 - Administration

OFFICE HOURS (WEEKDAYS)  
8AM-4PM EST

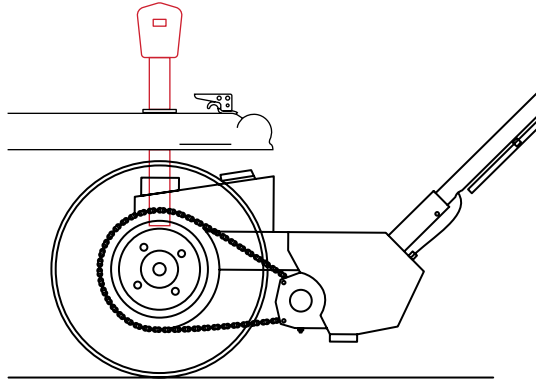
sales@parkit360.com  
admin@parkit360.com  
support@parkit360.com

# ALTERNATE CONNECTIONS

## TRAILER JACK POST

**Remove the Ball Mount Adapter.**  
Lower the Trailer Jack into the Dolly's **Receiver Tube**, following the standard connection process.

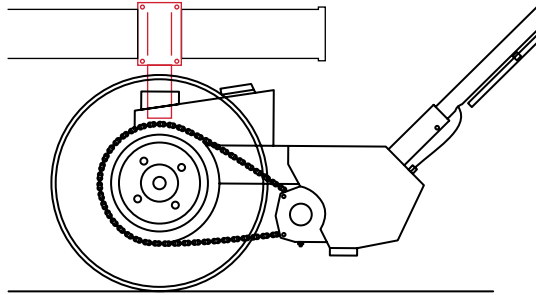
*The trailer should rest as close to the Dolly's Tires as possible to reduce strain on the Jack Shaft.*



## TELESCOPIC FRAME ADAPTER

Remove the Ball Mount Adapter.  
**Attach the Telescopic Adapter to the Y section of the trailer frame.**

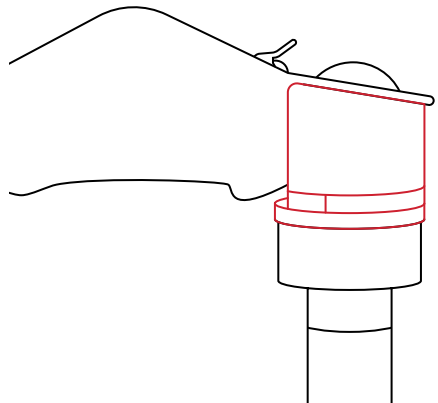
Lower the Telescoping Pipe into the Dolly, following the standard connection process. Slide the Adapter's locking pin into place.



## THRUST WASHER: ATWOOD HITCH ADAPTER

With the **Thrust Washer** base on the **Ball Mount**, interlock the **Atwood Adapter** piece.

Thread the **Hitch Ball** and Tighten as Normal. Hold the adapter in place to prevent it from spinning.



## 2 YEAR PARTS & REPAIR WARRANTY

Your Parkit360 Force Dolly is covered for 2 years from the initial date of purchase. If a defect is found during this time, contact us with the original sales receipt number and details of the fault encountered.

Our Technical Support will attempt to solve the issue remotely. If the issue appears to be caused by defective parts, we will provide free replacement parts, excluding shipping costs.

If the 2 Year Warranty has expired or if you are not the original owner, you will have to pay the cost of parts and shipping. This repair will be covered for 3 months, starting 7 days from the date of shipment.

The Repair Warranty will expire either at the end of the 3 month period, or at the expiration of the original 2 -Year Warranty, whichever is later.

## 30 DAY RETURN POLICY

If a material defect is found or if the Parkit360 Force Dolly has failed to perform to your expectations, return it within 30 days of the date of sale for a refund, less the flat shipping cost of \$250 and 20% restocking fee.

1. Pack the **Dolly** and **U1 Battery Kit** back into the box that it came in.  
*(If you purchased a **Battery Box**, it does not need to be returned.)*
2. Call us at 1-888-926-5517 EXT.1 to let us know when your package is ready. Please provide us with your Sales Receipt or Online Order number.
3. Our staff will provide you with an RMA# that must be written on the box prior to sending. We will email you a Return Shipping Label that must be affixed to the box prior to drop off at your nearest FedEx Depot.  
*(If you are unable to drop off the Unit, Pick-Up can be arranged.)*
4. Receive your refund minus the shipping and restocking fee once the Dolly arrives at our warehouse.

## EXCLUSIONS AND LIMITATIONS

The 2 Year Warranty and 30 Day Return Policy do not cover:

- *Normal wear and tear of the Parkit360 from use*
- *Shipping Costs for Returns / Repairs*
- *Customer Neglect and Improper Use or Storage of the Parkit360*
- *Modified Dollies, or if the Serial Number has been altered or removed*



# DANGER

DO NOT EXCEED DOLLY'S  
MAX. WEIGHT CAPACITY

RE-TIGHTEN BALL MOUNT  
BEFORE OPERATION

DO NOT OPERATE ON MORE  
THAN A 6% GRADE



**Parkit360°**

PARKIT360 INC.

130 Industrial Ave, Unit 600

Carleton Place, ON K7C 3T2 Canada

1-888-926-5517 or [PARKIT360.com](http://PARKIT360.com)