

# CARRIER 13K

INSTRUCTION MANUAL v1.5



READ CAREFULLY  
BEFORE OPERATING

IMPROPER USE CAN CAUSE DAMAGE TO  
YOUR TRAILER OR PERSONAL INJURY.



**DANGER**

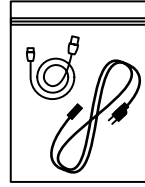


Parkit360 Inc. 130 Industrial Ave, Unit 600  
Carleton Place, ON K7C 3T2 Canada

# IN THE BOX

## PACKAGES INCLUDE:

Carrier Trailer Dolly  
Drop & Go adapter  
Hitch Balls: 2" + 2 5/16"  
Group 29, 110 Ah Battery  
(pre-installed)

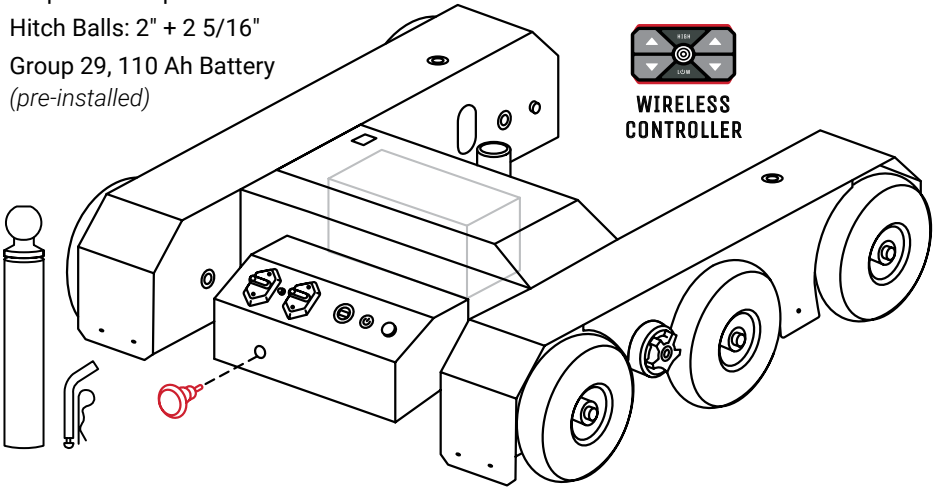


## HARDWARE KIT:

Wireless Controller  
USB C Cable  
Charger Cable  
Battery Disconnect knob



WIRELESS  
CONTROLLER



## ASSEMBLY

Locate the red **Battery Disconnect knob**. Screw this onto the **Battery Disconnect** switch.

Use caution when removing the unit from the skid. For instructions on how to power on and operate the dolly, see **Operation** section.

Before first use, see **Charging** instructions.

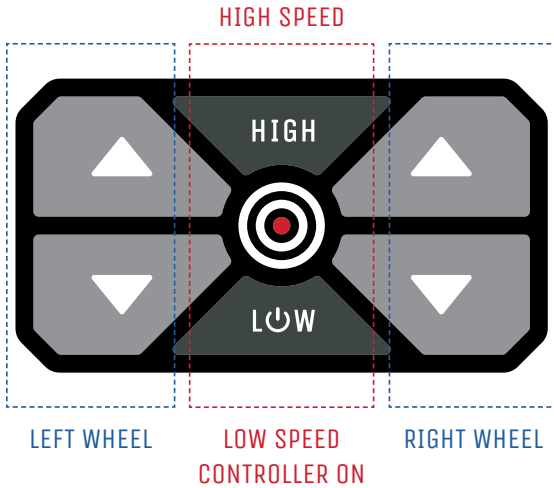
## POWER ON/OFF

**Turn ON** – Pull **OUT** on the Battery Disconnect. The LED power switch will pulse slowly to indicate that the batteries are connected. Press and hold the Power Button until you see a solid light.





**Turn OFF** – Press and hold the Power Button until the light pulses slowly. Push the Battery Disconnect **IN** to prevent battery drain during storage.

# OPERATION

## WIRELESS CONTROLLER



### LED INDICATOR LIGHT

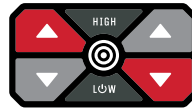
-  ON  
*Steady - Press LOW to Activate*
-  In Use  
*Slow Blink - During Button Press*
-  Battery Low  
*Fast Blink - Charge ASAP!*
-  Sleep Mode  
*Off - Enters this mode after 60 seconds of inactivity*



FORWARD



REVERSE



CLOCKWISE



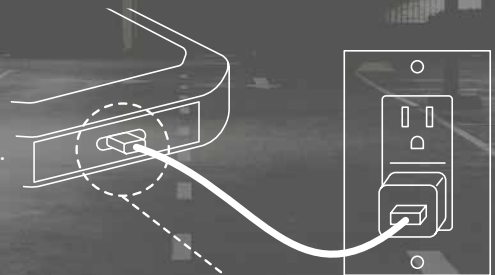
COUNTER-CLOCKWISE

## CHARGING

Using the provided charging cord and a standard USB charging adapter, connect the controller to a wall outlet.

A red light on the side of the remote indicates that the battery is charging. This light will turn green once the controller reaches full charge.

The controller should be left plugged in when not in use. This will not harm the battery).



CHARGING

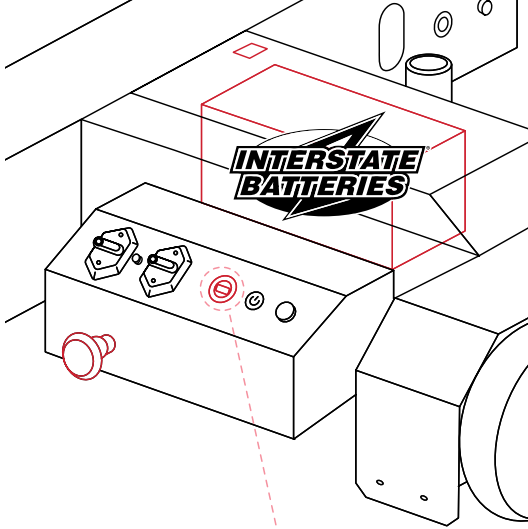
BATTERY FULL

# 12V BATTERY

## RUNNING VOLTAGE

One **Group 29, 110 Ah battery** comes pre-installed and ready to operate.

Running battery voltage is displayed on the **voltmeter** on the dolly's module when turned on and in use.



RUNNING VOLTAGE

## CHARGING THE BATTERY

Power off the dolly, then pull out the **Battery Disconnect** to connect the batteries.

Plug the **Charger Cable** into the dolly's figure eight port on the left side of the unit, then plug the other end into a wall outlet.

The **Power Button** will display a pulsing light and the **Charger Display** will activate.

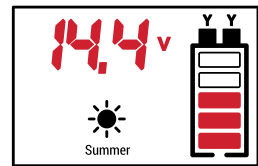
## CHARGING VOLTAGE

The **Charger Display** on top of the unit shows the level of charge when connected to a 120V power outlet. While charging, the display alternates between charging amperage and voltage. The battery graphic shows the percentage complete.

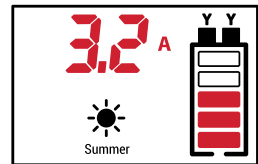
When charging is complete, "**FUL**" is displayed and the battery graphic is completely filled in.

If "**ERR**" (error code) is displayed, check the terminal connections, dolly plug, and battery disconnect to ensure they are properly connected and in the correct position.

If you get a **repair code**, you may have a faulty battery. Please contact us to order a replacement.



CHARGING VOLTAGE

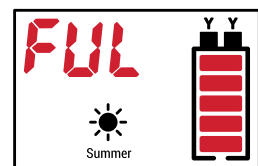


CHARGING AMPERAGE

## BATTERY MAINTENANCE

While in storage, **charge every 2 months** to preserve battery life.

Battery is covered by a **1 year Interstate warranty**. Starts from date of purchase. If you need to replace a battery, please contact our Technical Support team.



BATTERY FULLY CHARGED

# SAFETY FEATURES

## OVERLOAD PROTECTION

To prevent short circuiting in case of an overload in power draw, this unit has a built-in overload protection system.

When overload protection is activated, the unit will cease moving and the power button will display a red light. Note that the brakes will remain engaged as long as the Battery Disconnect is still pulled out. You do not need to push the Battery Disconnect.

Press and hold the Power Button until the light returns. Resume operation, but be sure to do so safely so as not to overload the system again.

## SMART BRAKE

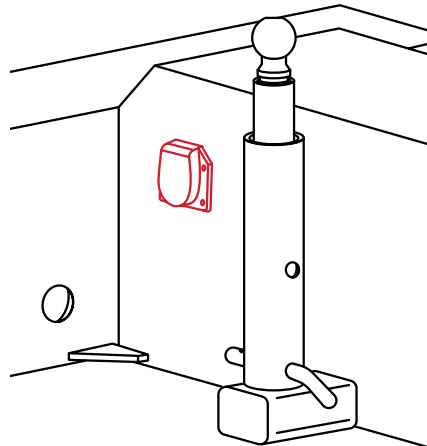
A 7-pin connector that automatically operates the trailer's braking system:

### Electric Brakes *RV Trailers*

Releases Trailer brakes when the dolly is operating. Engages brakes when the dolly is powered on and not in motion.

### Surge Brakes *Boat Trailers*

Brakes de-activate when the dolly is operating.

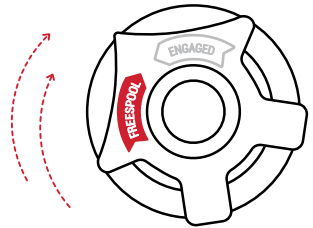


# SWITCHING GEARS

## FREEWHEEL / FREESPOOL

**Neutral.** Move the dolly without power while it is not under load. Turn both of the Carrier's motor knobs in the direction of the Freespool arrow until they stop.

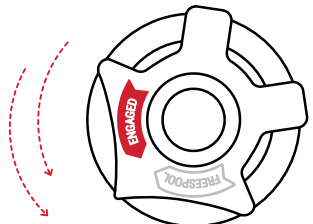
*Adjust the dolly's position manually in this mode.*



## ENGAGED

**Drive.** Engage the motors to connect the trailer and park with power. Turn both of the Carrier's motor knobs in the direction of the Engaged arrow until it stops and clicks into position. Use the Wireless Controller to move the dolly.

*The dolly will only move an inch forward or backward before stopping if pushed manually.*

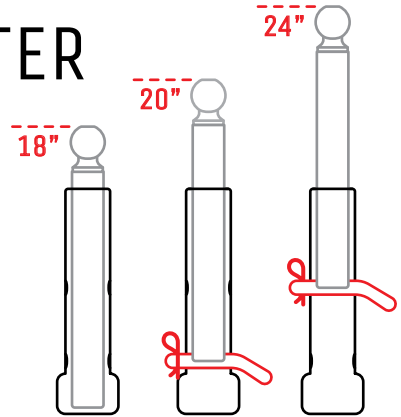


# CONNECTING TO YOUR TRAILER: DROP & GO ADAPTER

## CONNECTION HEIGHT

Set the pin in the Carrier's **Receiver Tube** at the desired height for your coupler: **24"**, **20"**, or no pin for **18"**.

Insert the **Drop & Go** adapter into the **Receiver Tube**, ensuring that the indent on the bottom is aligned with the pin.



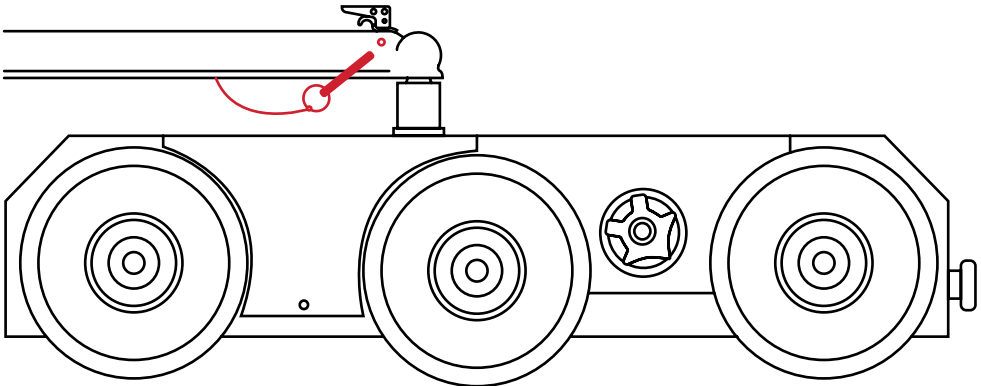
## ALIGN TO COUPLER

Using the **Wireless Controller**, drive the Carrier under your trailer coupler.  
(See *Operation Instructions*)



## INSERT ADAPTER

Lower the trailer to drop the coupler onto the Hitch Ball.  
Insert your coupler's lock pin before proceeding.



## SECURE CONNECTION

Plug in the 7-way connector for your trailer's brakes.  
(See *Safety Features*)





# DANGER

## DO NOT EXCEED DOLLY'S MAX. WEIGHT CAPACITY

CAN CAUSE DAMAGE TO YOUR TRAILER OR PERSONAL INJURY.

### DROP & GO

UP TO 13,000 LBS GVWR

1,300 LBS TONGUE WEIGHT

## DO NOT EXCEED MAXIMUM RECOMMENDED GRADES:

WHEN MOVING A TRAILER THAT WEIGHS 10,000 LBS OR LESS,  
MAXIMUM RECOMMENDED GRADE IS 6%.

WHEN TOWING A TRAILER THAT WEIGHS OVER 10,000 LBS,  
MAXIMUM RECOMMENDED GRADE IS 4%.

## NOT RECOMMENDED FOR LOOSE TERRAIN.

WORKS ON FIRM GRASS, PACKED GRAVEL, AND ASPHALT.

## 2 YEAR PARTS & REPAIR WARRANTY

Your Parkit360 trailer dolly is covered for 2 years from the initial date of purchase. If a defect is found during this time, contact us with the original sales receipt number and details of the fault encountered. Our Technical Support will attempt to solve the issue remotely.

If the issue appears to be caused by defective parts, we will provide free replacement parts, excluding shipping costs. This repair will be covered for 3 months, starting 7 days from the date of shipment. The Repair Warranty will expire either at the end of the 3 months or at the expiration of the original 2-Year Warranty, whichever is later.

If the 2 Year Warranty has expired or if you are not the original owner, you will have to pay the cost of parts and shipping. This part will be covered by warranty for 3 months in case of manufacturing defects. This does not cover issues due to shipping damages, improper use, or installation. See our website for full details.

## 30 DAY RETURN POLICY

If a material defect is found or if the Parkit360 has failed to perform to your expectations, return it within 30 days of the date of sale for a refund, less the flat shipping cost of \$500 USD and \$200 restocking fee.

1. Pack the Dolly back into the original packaging. Call us at 1-888-926-5517 EXT.1 to let us know about your return. Please provide us with your Sales Receipt or Online Order number.
2. Our staff will provide you with an RMA# that must be written on the box prior to sending. We will email you a Return Shipping Label that must be affixed to the box prior to drop off at your nearest FedEx Depot.  
*(If you are unable to drop off the Unit, Pick-Up can be arranged.)*
3. Receive your refund minus the shipping and restocking fee once the Dolly arrives at our warehouse.

## EXCLUSIONS AND LIMITATIONS

The 2 Year Warranty and 30 Day Return Policy do not cover:

- *Normal wear and tear of the Parkit360 from use*
- *Shipping Costs for Returns / Repairs*
- *Customer Neglect and Improper Use or Storage of the Parkit360*
- *Modified Dollies, or if the Serial Number has been altered or removed*
- *12V U1 Batteries are covered separately by an **Interstate® 1 Year Warranty** that starts from your date of purchase. Find a Service Location near you: [interstatebatteries.com/location-finder](http://interstatebatteries.com/location-finder)*