

TRANSFORMER 15K

INSTRUCTION MANUAL

VERSION 4.0



READ CAREFULLY
BEFORE OPERATION

IMPROPER USE OF THIS DOLLY CAN
CAUSE DAMAGE TO YOUR TRAILER,
PERSONAL INJURY OR EVEN DEATH.



DANGER

IN THE BOX

TRANSFORMER PACKAGES INCLUDE:

Transformer Body

Two 6.5" Wide Tires

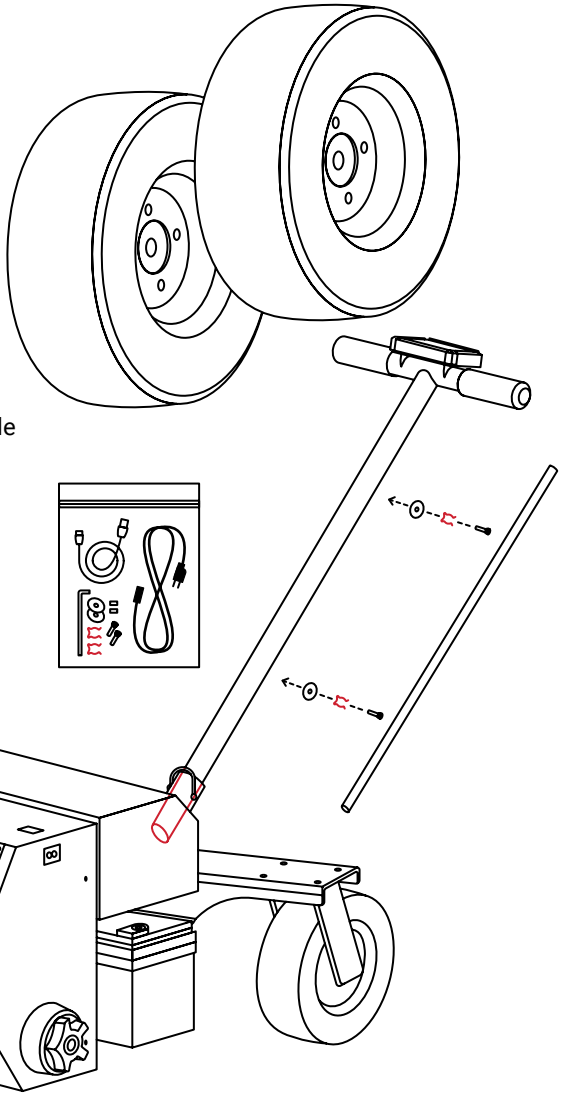
Handle Shaft & Tightening Bar

Two 12V U1 Batteries

Wireless Controller & USB C Cable

Hardware Kit:

- 2 Handle Spring Clips
- Allen Key
- Battery Terminal Hardware



BALL MOUNT ADAPTER

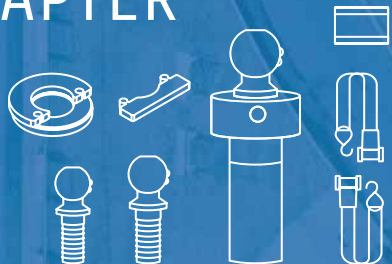
PACKAGE INCLUDES:

Ball Mount & Thrust Washer (Puzzle)

3 Hitch Balls: 1 7/8", 2" and 2 5/16"

Stabilizer Ratchet Straps (Ball Mount Only)

1 Spacer Plate (see page 9)



FIFTH WHEEL ADAPTER

PACKAGE INCLUDES:

- Kingpin Adapter
- U Shaped Locking Pin with D-Clip
- Allen Key (for Chain Adjustment)



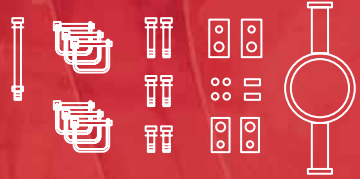
STABILIZER BARS

KINGPIN BOX PACKAGE:

- 2 Telescoping Stabilizer Bars
- 2 Outer and Inner Pivot Tubes
- 1 Mounting Ring Tube

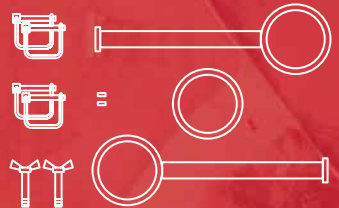
Hardware:

- 6 Square D-Clips
- 1 Kingpin Throughbolt & Nut (5" x 1/2")
- 2 Landing Leg Bolts (2 1/2")
- 2 Bolts (1 1/2")
- 2 Bolts (2")
- 4 Lock Washers (1 1/2")
- 4 Flat Washers



LANDING LEG PACKAGE:

- 1 Support Ring
- 2 Mounting Ring Tubes
- 2 Telescoping Stabilizer Bars
- 4 Square D-Clips
- 2 Bolts
- 2 Wing Nuts
- 2 Set Screws



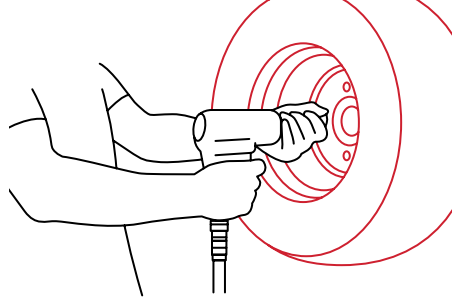
QUESTIONS?

CALL TOLL-FREE:
1-888-926-5517 EXT. 1

ASSEMBLY

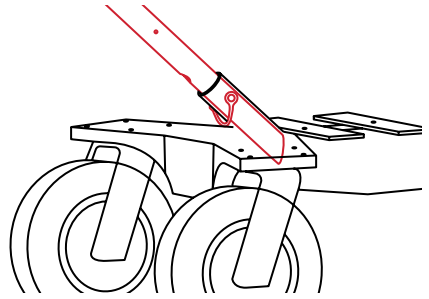
6.5" WIDE TIRES

Install both tires using the supplied 1/2" bolts. Set Torque Wrench to 40 ft-lbf or ensure bolts are very tight. Recommended Tire Pressure: 90 PSI.



HANDLE & TIGHTENING BAR

Insert the Handle and secure with D-Clip. Install the Spring Clips onto the Handle to store the Tightening Bar.

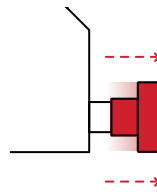


POWER ON/OFF

TURN ON

Pull OUT on the Battery Disconnect.

Press and Hold the power button until the light illuminates.



PULL OUT

Enables Battery Power.

TURN OFF

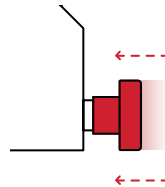
Press and Hold the power button until the light turns off.

Push the battery disconnect IN to prevent battery drain during storage.



PRESS & HOLD

To turn ON or OFF.



PUSH IN

Disconnects Batteries.

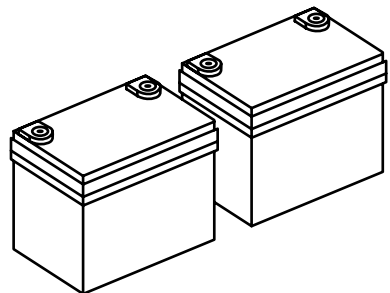
BATTERIES

12V U1 DEEP CYCLE

Both batteries arrive pre-connected and ready to operate.

Battery voltage is displayed on the Volt Meter and Charger Display.

(See *Charging Instructions* - Page 7)



FEATURES

RECEIVER TUBE

Connect to the Trailer with either the Ball Mount or Kingpin Adapter.

SMART BRAKE

7-Way Power Plug that Controls the Trailer's Electric or Surge Brakes.
(Page 5)

INTERNAL BATTERY CHARGER

Charges both 12V U1 Batteries.
(Page 7)

FREEWHEEL KNOBS

The Transformer wheels are powered independently by two 1.5hp motors.

Engage or Disengage Both Motors to move the Dolly With or Without Power.
(Page 8)

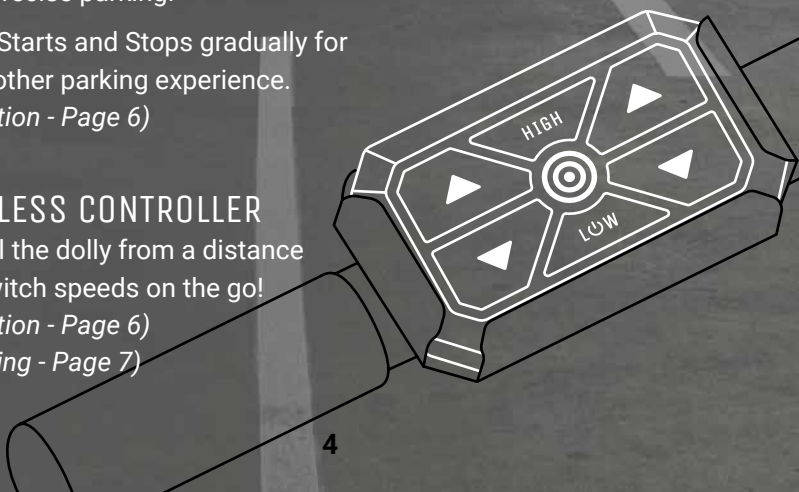
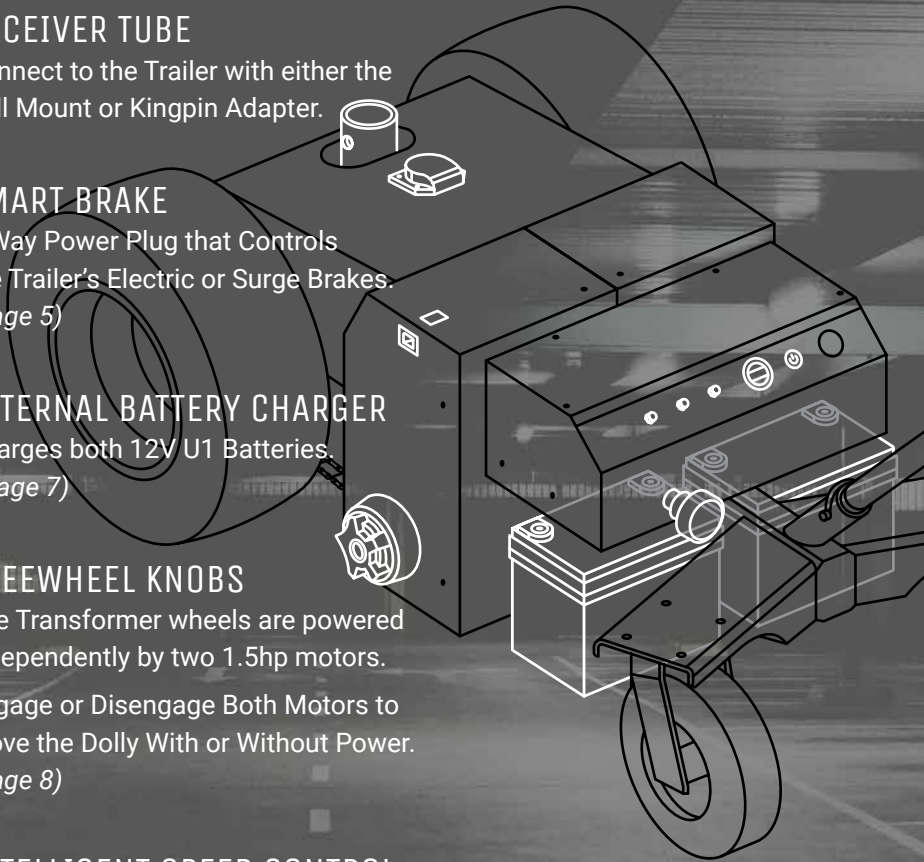
INTELLIGENT SPEED CONTROL

High and Low speed options for fast or more precise parking.

Motor Starts and Stops gradually for a smoother parking experience.
(Operation - Page 6)

WIRELESS CONTROLLER

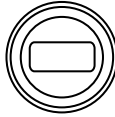
Control the dolly from a distance and switch speeds on the go!
(Operation - Page 6)
(Charging - Page 7)



MODULE FEATURES



2



1



4

CIRCUIT BREAKERS

PUSH TO STOP
BATTERY DISCONNECT



Parkit360°



DANGER: DO NOT EXCEED MAXIMUM WEIGHT CAPACITY OF THIS UNIT! CAN CAUSE DAMAGE TO YOUR TRAILER OR SERIOUS INJURY. REFER TO USER MANUAL BEFORE OPERATION. DO NOT OPERATE ON MORE THAN 4% GRADE. ENSURE UNIT IS STABLE BEFORE OPERATING.

3



1 POWER ON/OFF

Press and Hold for 2 seconds to turn ON or OFF.

2 VOLT METER

Digital Meter that measures and displays Power Level of Battery. Fully Charged Batteries Rest between 12.6 to 13V.

3 BATTERY DISCONNECT

Push the big red button to cut off the dolly's electrical connection. Used to prevent battery drain while in storage and as an emergency stop.

4 WIRELESS TRANSMITTER

Connects controller to the Transformer.

CIRCUIT BREAKERS

Prevents both Motors and Smart Brake from overheating. If a breaker trips, the Reset Button will extend up to 1/2" from the panel.

Allow 30 seconds for the system to cool down, then press Reset.

SMART BRAKE



7-Way Power Plug that Controls the Trailer's Brakes:

Electric Brakes (RV Trailers):

Engages brakes when the Dolly is powered ON and not in motion. Releases when the directional toggle switch is pushed.

Surge Brakes (Boat Trailers):

Releases the brakes as soon as the plug is connected to the Dolly.

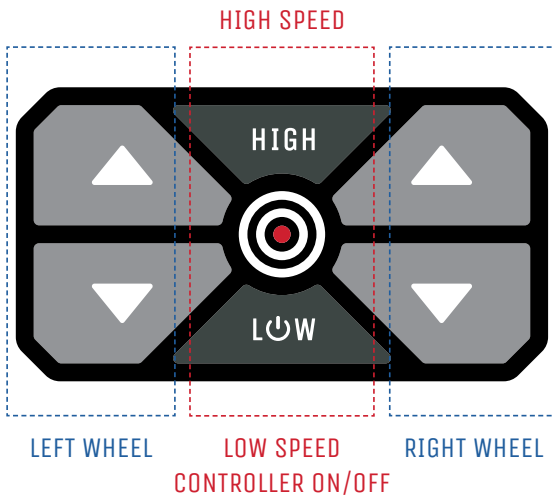
WIRELESS CONTROLLER



Operating from the User's perspective:
Behind the Dolly, facing the Trailer.

REVERSE ← (TOWARDS USER) → FORWARD (BACK UP TRAILER)

INTELLIGENT SPEED CONTROL™



The Transformer's front wheels are controlled independently by the left and right motors.

Press and hold the arrow buttons to operate. They can be pressed independently or at the same time, as shown below.

The light in the center target will flash when the dolly is in motion.



FORWARD



REVERSE



CLOCKWISE



COUNTER-CLOCKWISE

CONTROLLER ON/OFF

Press and hold the LOW button until the light in the center target illuminates.

Controller will enter sleep mode after 60s of inactivity.

INTELLIGENT SPEED CONTROL

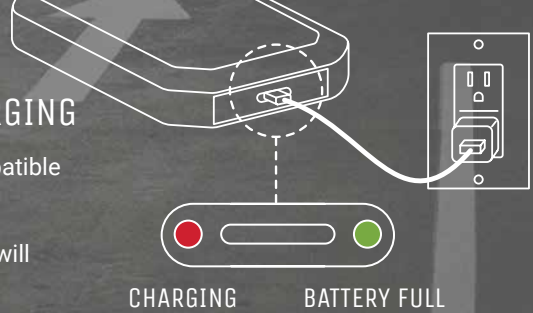
Press the HIGH or LOW buttons to switch speeds while parking.

The default speed setting is LOW.

WIRELESS REMOTE CHARGING

The included USB C cable is compatible with any phone charger block.

Once plugged, internal LED lights will indicate battery level:



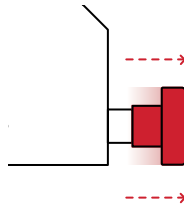
12V BATTERY CHARGING

PREPARING THE DOLLY



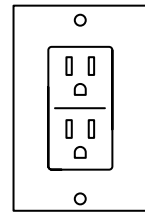
POWER OFF

Press and hold for 2 seconds to turn the Transformer Dolly off.



PULL OUT

Ensure Batteries are connected. Volt Meter display will light up.



PLUG IN

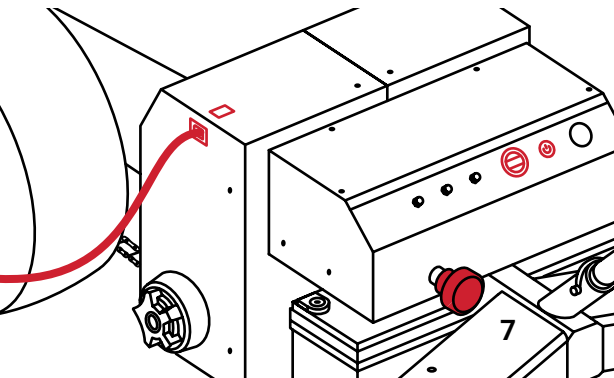
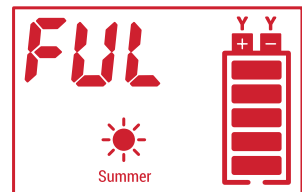
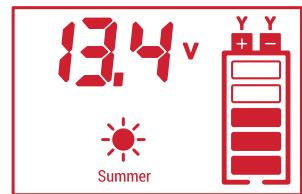
Plug the Charger Cable into the Dolly, then into the nearest wall outlet.

CHARGER DISPLAY MODES

While charging, the display alternates between **Charging Amperage & Voltage**.

The battery graphic shows the % complete.

When charging is complete, **FUL** is displayed and the battery graphic is completely filled.



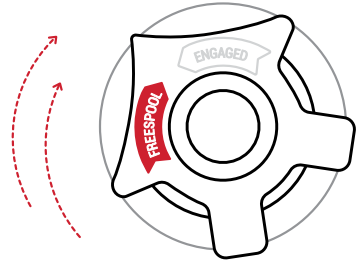
FREEWHEEL KNOBS: SWITCHING GEAR



FREEWHEEL/SPOOL

NEUTRAL. MOVE THE DOLLY WITHOUT POWER WHILE IT IS NOT UNDER LOAD.

Turn both of the Transformer's motor knobs in the direction of the Freespool arrow until it stops. Freely move the dolly to and from the trailer in this mode.



DRIVE

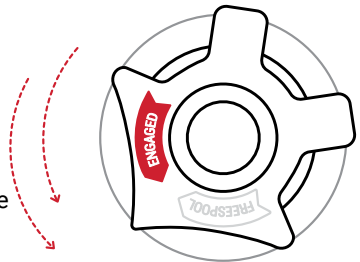
ENGAGE THE MOTORS TO CONNECT TO THE TRAILER AND PARK WITH POWER.

Ensure the Dolly is in parking position underneath the trailer hitch.

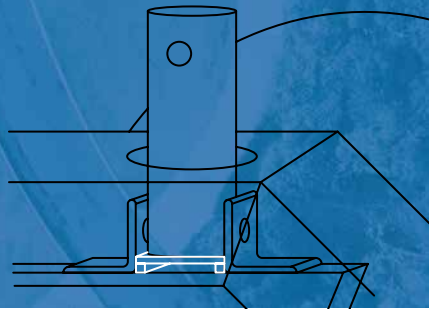
Turn both of the Transformer's motor knobs in the direction of the Engaged arrow until it stops and clicks into position. Rock the Dolly back and forth to ensure the motor is engaged.

Use the wireless controller to move the dolly.

When pushed manually in this mode, the Dolly will only move an inch forwards or backwards before stopping.



BALL MOUNT: SPACER PLATE



WHAT IS IT FOR?

The Spacer Plate is **only used with the Ball Mount Connection**. It locks the Receiver Tube in place to prevent Ball Mount movement while the dolly is in motion.

INSTALLATION

Remove the Screws on the **Chain Cover** to access the **Receiver Tube**.

Remove the **Bolt** found at the base of the Receiver Tube Brackets.

Lay the **Spacer Plate** between the **Receiver Tube Brackets** with the notches facing down.

Place the Receiver Tube on top of the Spacer Plate, then re-install the bolt and Chain Cover.

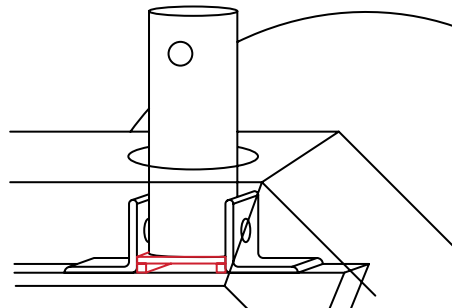
COMES PRE-INSTALLED
IN BALL MOUNT ONLY
TRANSFORMER PACKAGE.



DO NOT USE
WITH FIFTH WHEEL
ADAPTER.

REMOVE THE
CHAIN COVER.

INSTALL THE
SPACER PLATE
UNDERNEATH THE
RECEIVER TUBE.





DANGER

DO NOT EXCEED DOLLY'S MAX. WEIGHT CAPACITY

CAN CAUSE DAMAGE TO YOUR TRAILER,
SERIOUS INJURY, OR EVEN DEATH.

BALL MOUNT

UP TO 10,000 LBS GROSS
(1,000 LBS TONGUE)

FIFTH WHEEL / KINGPIN

UP TO 15,000 LBS GROSS
(3,000 LBS TONGUE)

RE-TIGHTEN BALL MOUNT BEFORE OPERATION

USE JACK POST CONNECTION OR TELESCOPIC
FRAME ADAPTER FOR TRAILERS:

- BETWEEN 8,000-10,000 LBS GROSS WEIGHT
- WITH MORE THAN 800 LBS TONGUE WEIGHT
- WITH ARTICULATED HITCHES

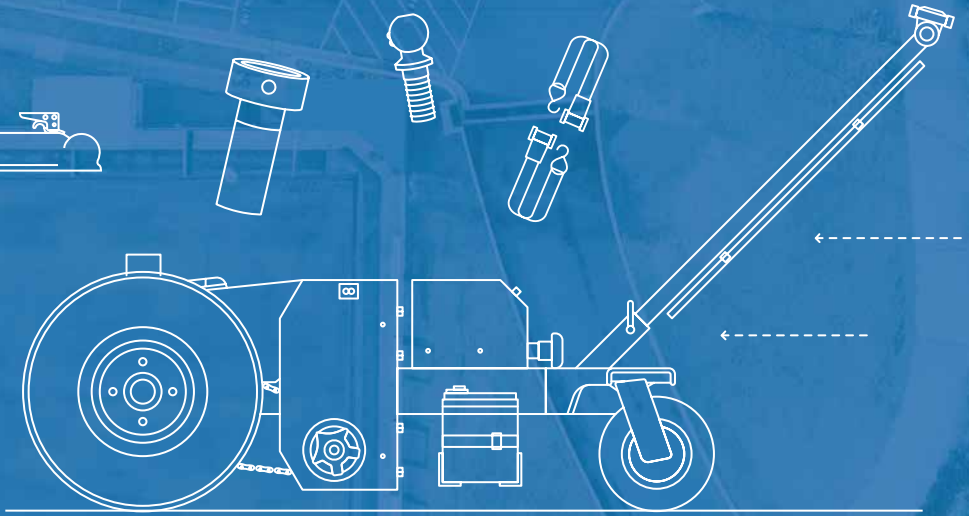
DO NOT OPERATE ON MORE THAN 4% GRADE

RISK OF RUNAWAY TRAILER.
DO NOT OPERATE ON STEEP INCLINES.

CONNECTING TO YOUR TRAILER:

BALL MOUNT ADAPTER

With both motors in **Freewheel Mode**, move the Dolly and all required Accessories to the Trailer: **Ball Mount, Hitch Ball, and Stabilizer Straps**.



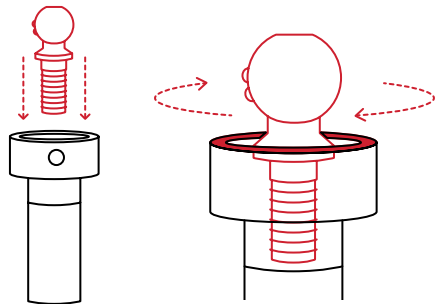
ENSURE SPACER PLATE IS INSTALLED BEFORE OPERATING!
(SEE PAGE 9)

BALL MOUNT ASSEMBLY

HITCH BALL

Thread desired **Hitch Ball** into the Ball Mount. Apply a generous portion of **All-Purpose Grease** along the top surface of the **Ball Mount Collar**.

The shoulder of the Hitch Ball should rest slightly below the top of the collar.

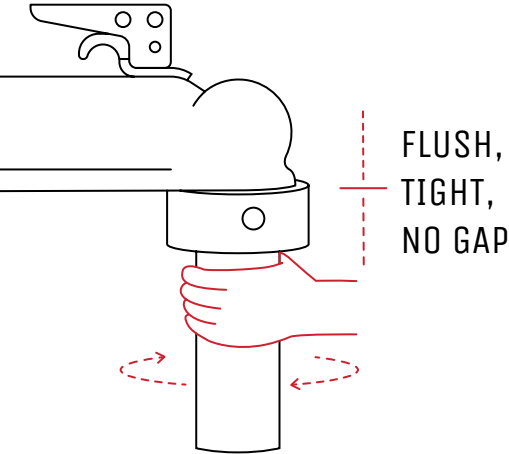
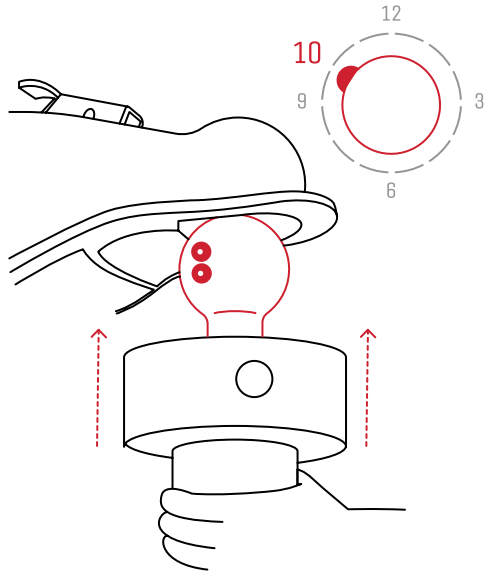


HITCH BALL PLACEMENT

WELD SPOTS

Insert the assembled Ball Mount into the Hitch and lock as normal.

Make sure the **Weld Spots** on the Hitch Ball are pointed towards the **rear left side of your trailer at about 10 o'clock**.



HITCH CONNECTION

Turn the Ball Mount **Counterclockwise** until the gap between the Ball Mount Collar and Trailer Tongue closes **tightly, with no gap**.

Have a **Gap or Step Down Hitch** preventing a flush connection?
SEE PAGE 13

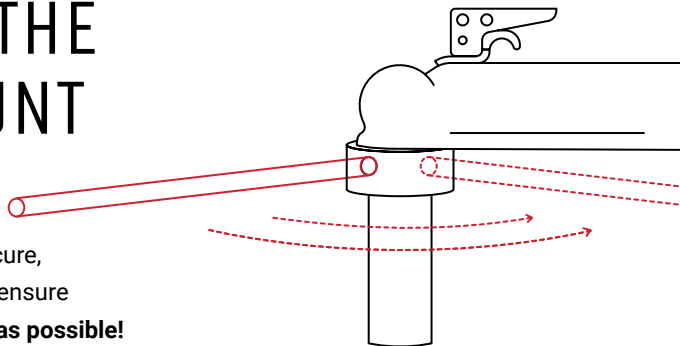


TIGHTEN THE BALL MOUNT

TIGHTENING BAR

Once the Ball Mount is secure, use the **Tightening Bar** to ensure the connection is **as tight as possible!**

This will take a few rotations.



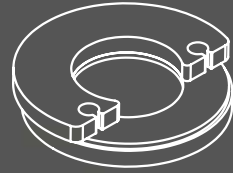
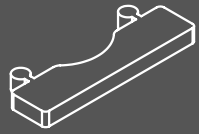
CONNECTION GAP?

THRUST WASHER WITH PUZZLE PIECE

Space between the Ball Mount and Coupler?

Install the **Thrust Washer** on top of the Ball Mount with the **Puzzle Piece** facing the Transformer.

Tighten Ball Mount as normal.



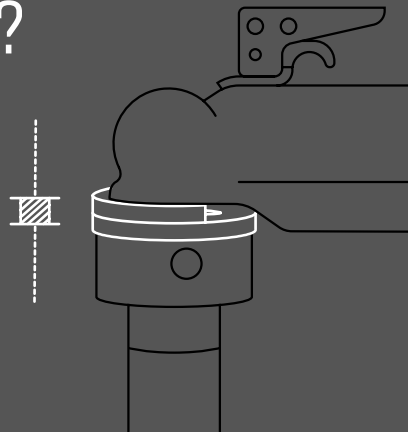
STEP DOWN HITCH?

THRUST WASHER

Have an obstruction preventing a flat connection?

Place the **Thrust Washer** on top of the Ball Mount with the **open section facing the trailer**.

While tightening, hold the Thrust Washer in place to prevent it from spinning.

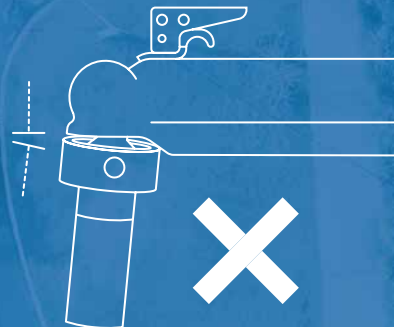


STILL HAVING TROUBLE?

SEE ALTERNATIVE CONNECTIONS (PAGE 25)

⚠ DANGER

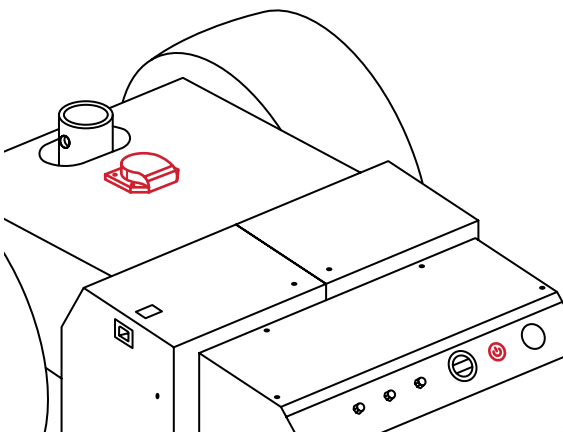
OPERATING WITH A LOOSE OR UNEVEN CONNECTION CAN CAUSE DAMAGE TO YOUR TRAILER OR PERSONAL INJURY.



ENGAGE MOTORS INTO DRIVE

TURN ON THE DOLLY

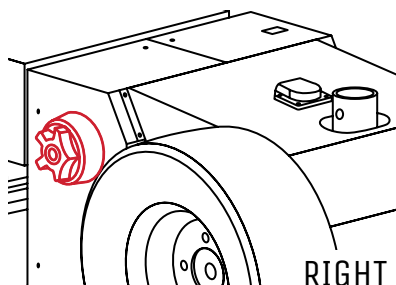
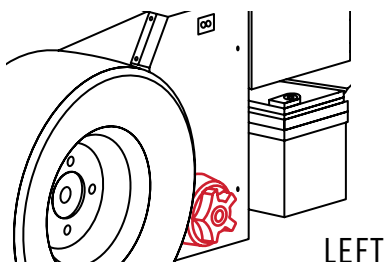
Press and Hold the Power Button to turn on the Dolly. Connect the Trailer's 7 Pin Brake Cable to the Smart Brake Plug.



FREEWHEEL KNOBS

Ensure the Dolly is in parking position and ready to connect to the Hitch, then **Engage both Motors**.

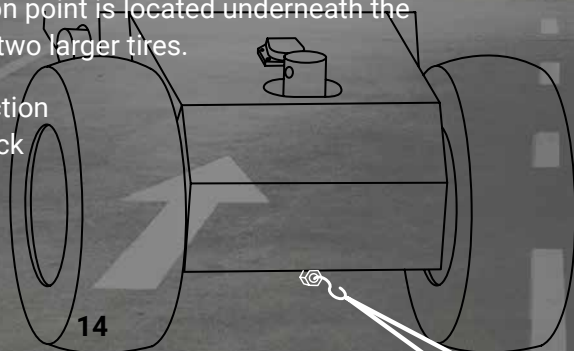
(See page 8)



BALL MOUNT STABILIZER

The **Ratchet Straps** must only be used with the **Ball Mount Adapter**. The safety strap connection point is located underneath the Transformer, between the two larger tires.

This reinforces the connection and prevents Dolly kick back while parking.



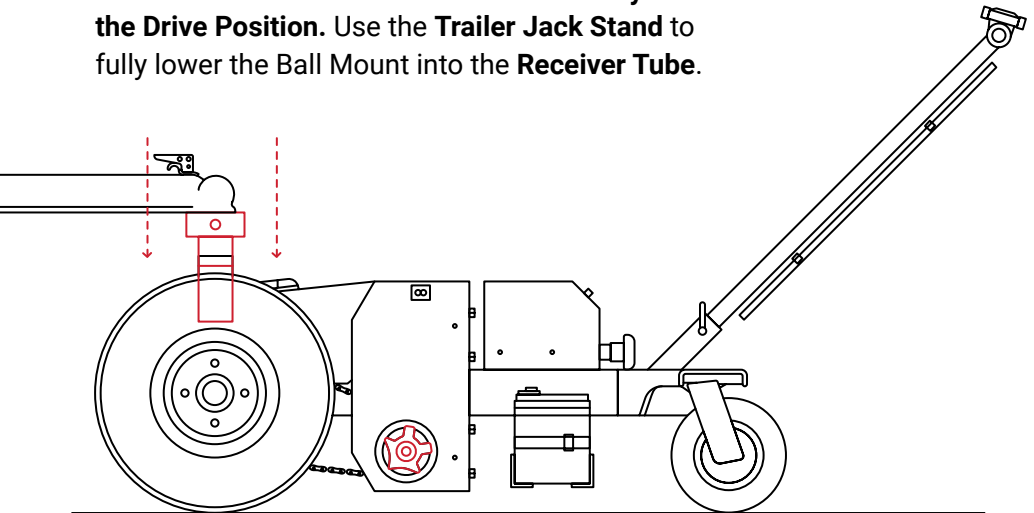
ALIGN THE DOLLY

Using the **Handle Toggle Switches**, Drive the Dolly underneath the hitch. Align the **Adapter** with the top of the Dolly's **Receiver Tube**.



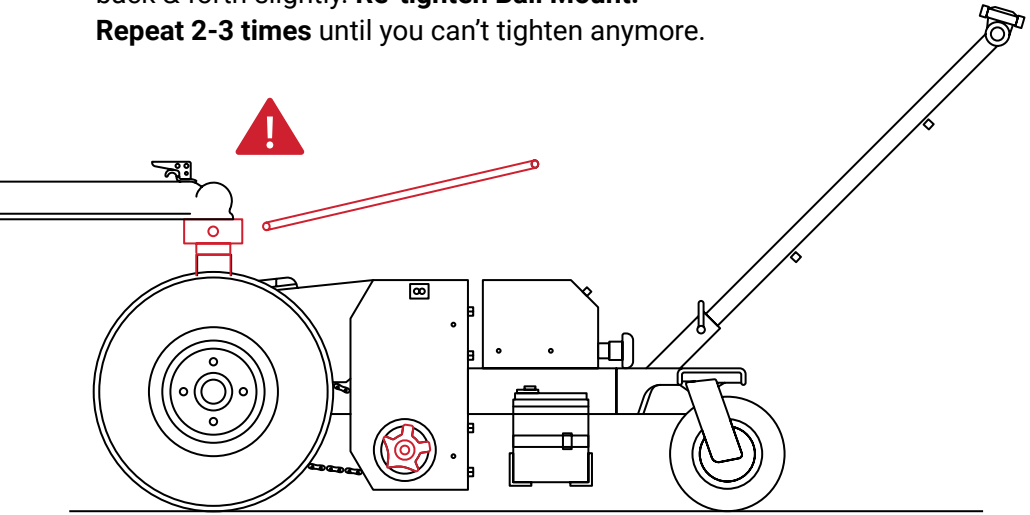
INSERT ADAPTER

Ensure that the **Trailer is Level** and the **Dolly is in the Drive Position**. Use the **Trailer Jack Stand** to fully lower the Ball Mount into the **Receiver Tube**.



RE-TIGHTEN BALL MOUNT

Using the **Toggle Switch**, move the Dolly back & forth slightly. **Re-tighten Ball Mount.**
Repeat 2-3 times until you can't tighten anymore.



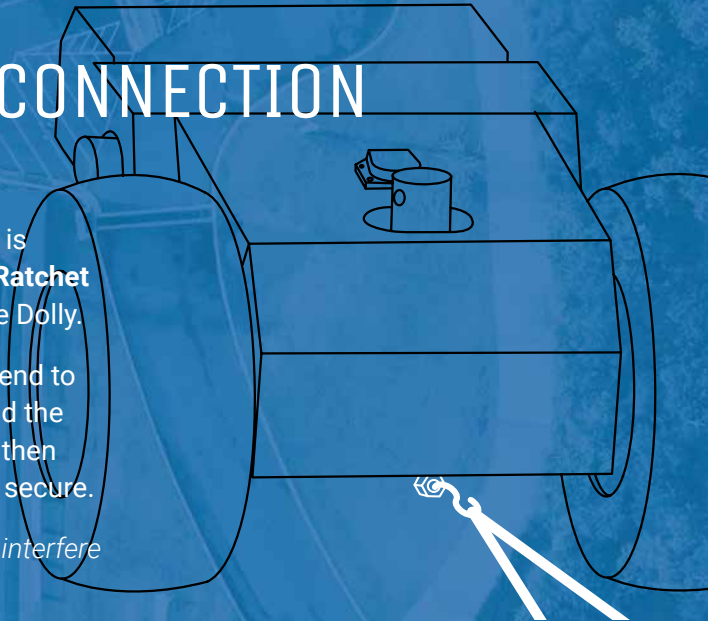
SECURE CONNECTION

RATCHET STRAPS

Once the Ball Mount is tightened, hook the **Ratchet Strap** underneath the Dolly.

Attach the opposite end to a secure point around the **center** of the Trailer, then tighten the straps to secure.

The strap should not interfere with the Dolly's tires.

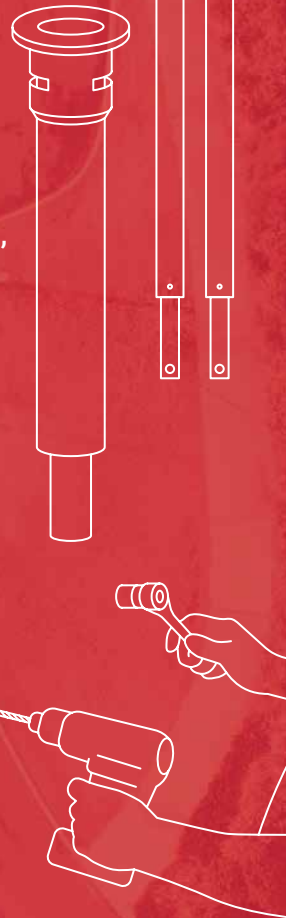
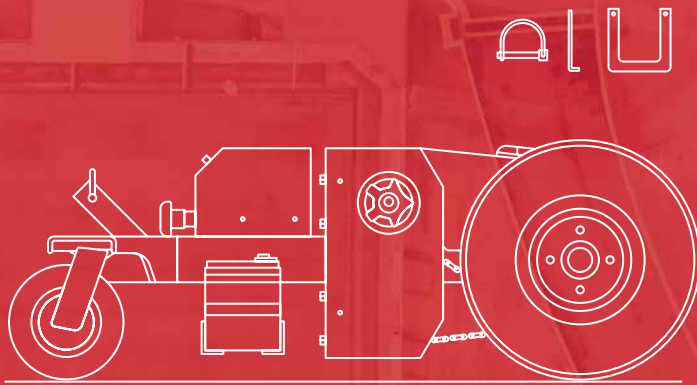


READY! ✓

ENSURE BALL MOUNT IS AS TIGHT AS POSSIBLE BEFORE OPERATING!

CONNECTING TO YOUR TRAILER: FIFTH WHEEL ADAPTER

With both motors in **Freewheel Mode**, move the Dolly, Accessories and required Tools to the Trailer: **Kingpin Adapter, Stabilizer Bars** (Kingpin or Landing Leg), **Hardware, Socket Wrench and Drill with 13/32" drill bit.**



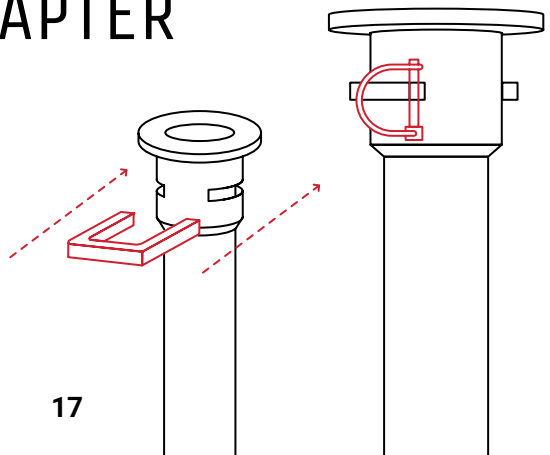
REMOVE BALL MOUNT SPACER PLATE
BEFORE OPERATING! (SEE PAGE 9)

KINGPIN ADAPTER

INSTALLATION

Attach the Kingpin Adapter to the trailers' Kingpin and slide the U-shaped locking pin into place.

Secure this connection with the supplied D-Pin.

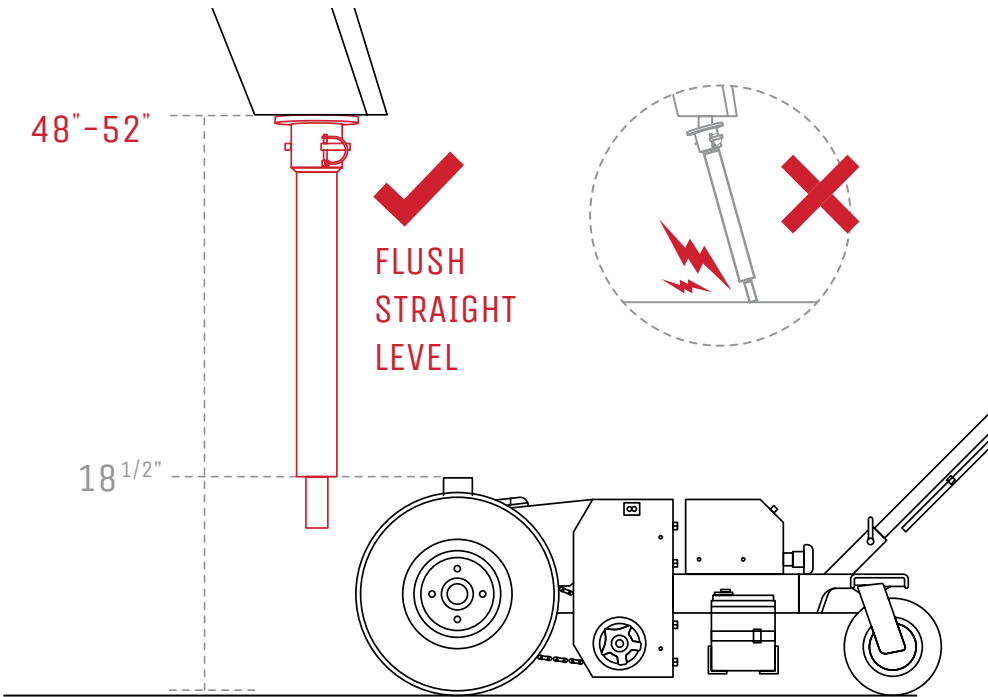


KINGPIN ADAPTER SET-UP

MEASUREMENTS

Kingpin measurements should be between **48"-52"** from the **Ground to the Bottom of the Kingpin Box**. If your measurements are not within this range, contact us before operating this machine!

The Adapter must be straight, and the trailer level. No part of the Adapter should be touching the ground when hooked up.



STABILIZER BAR INSTALLATION

The standard Transformer Fifth Wheel Package comes with Kingpin Stabilizer Bars. Landing Leg Stabilizers are available upon request.

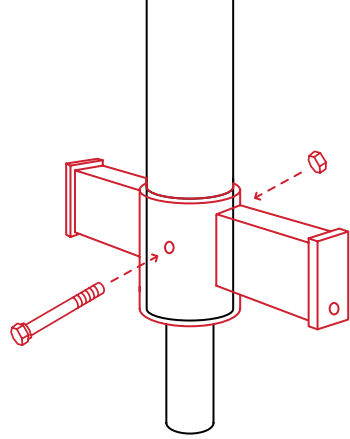
KINGPIN BOX: PAGE 19-20

LANDING LEGS: PAGE 21

KINGPIN BOX STABILIZERS

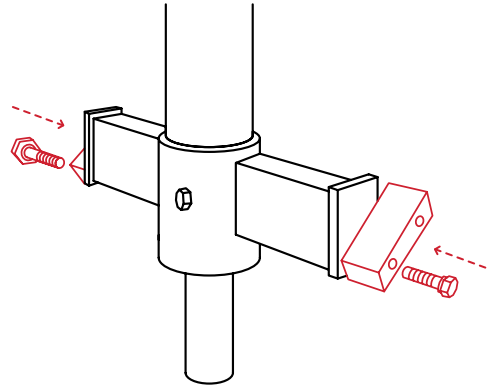
MOUNTING RING TUBE

With the wings of the **Mounting Ring Tube** parallel with the front of the trailer, slide it onto the Kingpin Adapter. The bottom edge must be flush with the base of the adapter. Secure this with the 5" throughbolt and nut.



PIVOT TUBES

Install both 1 1/2" **Pivot Tubes** to the wings of the Mounting Ring Tube with the 2 1/2" Bolts and lock washer. Turn the Pivot Tubes towards your trailer at a **45° angle** in preparation for the Inner and Outer tubes.

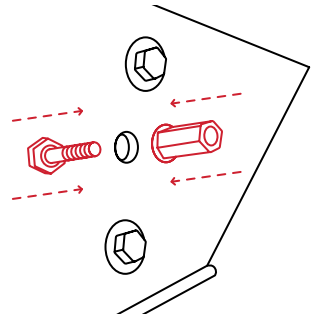


BOLTS & HARDWARE

With the 1 1/2 inch bolt, flat washer and lock washer, thread the **Coupling Nut** into the outer portion of the **Kingpin Box**.

You may have to remove one of the existing bolts from your Kingpin Box.

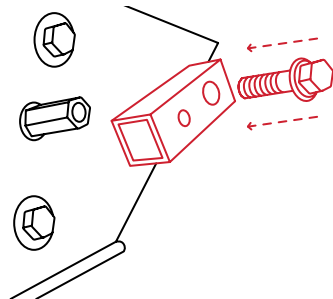
Tighten the Coupling Nut as much as possible for a secure connection.



TRAILER MOUNT TUBES

Attach the **Trailer Mount Tube** to the **Coupling Nut**. Angle this in the direction of the **Pivot Tubes**.

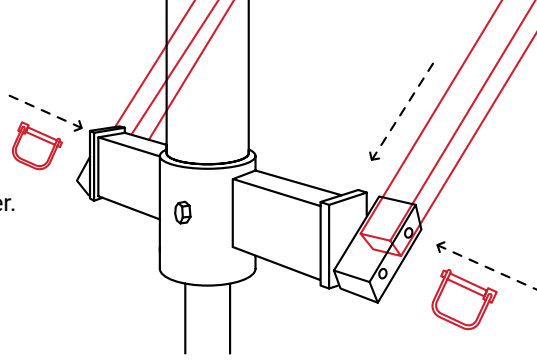
Repeat these steps on the other side of the Kingpin Box.



INNER & OUTER TUBES

Slide the **Inner Tubes** into the **Pivot Tubes** at the base of the Kingpin Adapter.

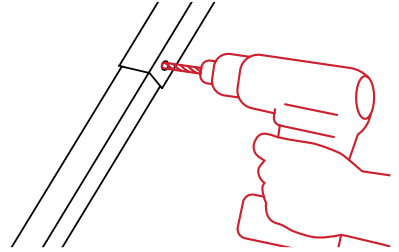
Slide the **Outer Tubes** into the **Trailer Mount Tubes** on the Kingpin Box and secure them with the 4 supplied D-Pins.



DRILL PILOT HOLES

Using the pre-made holes in the Outer Tube as a guide, **drill a hole** into one side of the Inner Tube, and then the other to complete the through hole. **Secure these with D-Pins.**

We recommend a 13/32" drill bit.

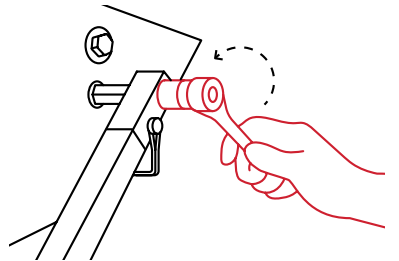


TIGHTEN BOLTS

Tighten the 4 Bolts on the top and bottom pivot tubes to complete the setup.

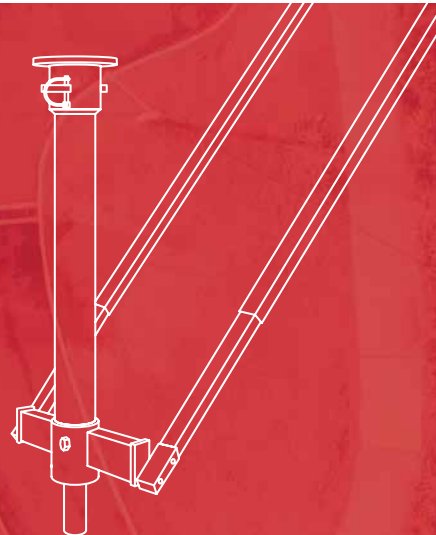
PLEASE REFER TO
INSTALLATION VIDEOS:

[YOUTUBE.COM/PARKIT360](https://www.youtube.com/PARKIT360)



✓
**READY TO
CONNECT TO
TRANSFORMER!**

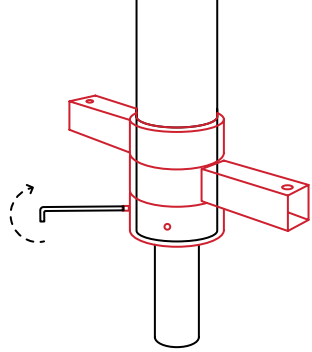
SEE INSTRUCTIONS ON PAGE 22



LANDING LEG STABILIZERS

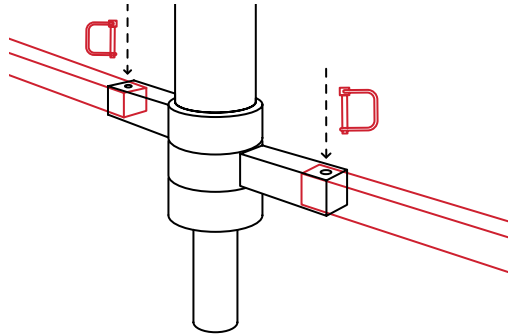
MOUNTING RING TUBES

Install both **Mounting Ring Tubes**.
Secure the **Support Ring** onto the base of the adapter with the supplied set screws.



STABILIZER BARS

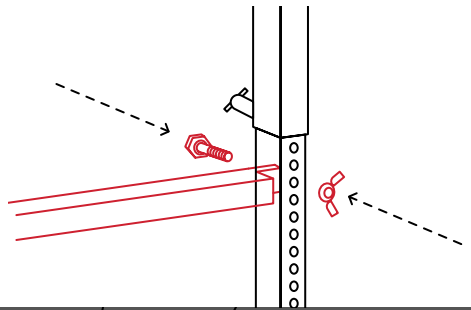
Install the **Landing Leg Stabilizer Bars** into the adapter's **Ring Tubes**, ensuring that the ends will attach to the **Outside of the Trailer Legs**. Secure these with the supplied **D Clips**.



BOLTS & WING NUTS

Point the **Stabilizer Bars** towards the trailer.
Lock them to the **Trailer's Landing Legs** with the supplied **Bolts** and **Wing Nuts**.

Raise the Trailer Jack.

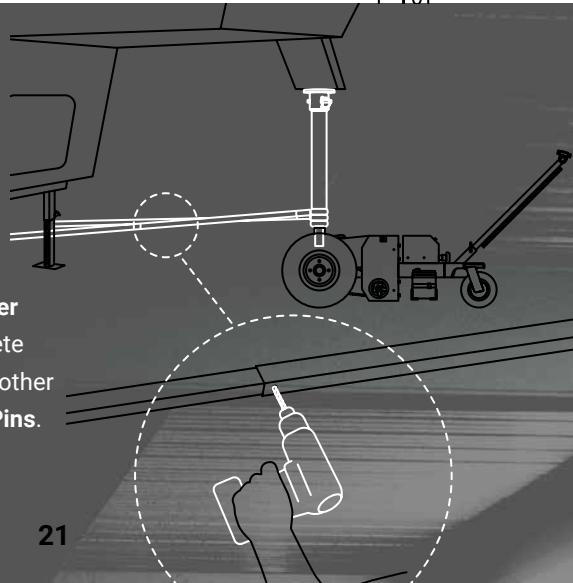


WHEN CONNECTING TO THE TRANSFORMER:

Once the trailer is close to level:

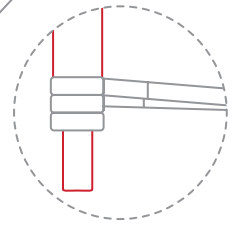
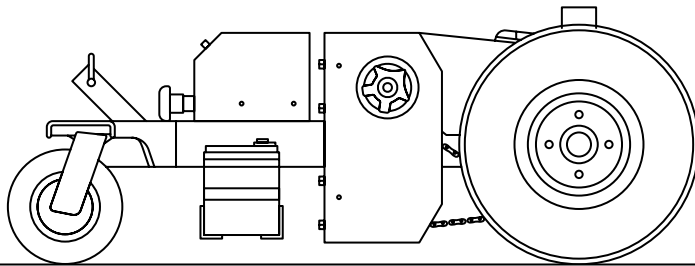
Drill a hole into one side of the **Inner Tube**, and then the other to complete the **Through hole**. Repeat with the other Stabilizer Bar, then secure with **D-Pins**.

These holes only need to be drilled on the first installation.



ALIGN THE DOLLY

Freewheel the Dolly underneath the hitch, then align the **Adapter** with the top of the Dolly's **Receiver Tube**. Ensure that the **Stabilizer Bars** are installed properly.

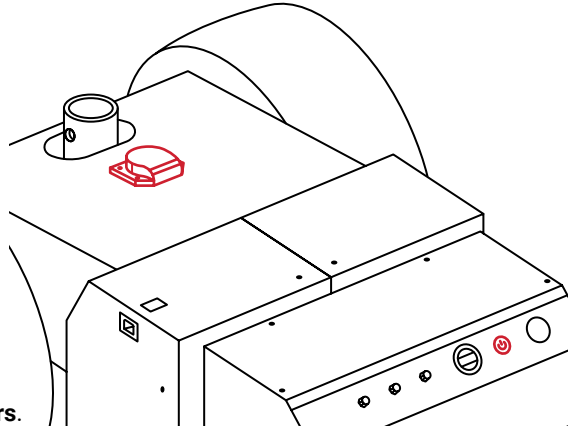


LANDING LEG
STABILIZER BARS

ENGAGE MOTORS INTO DRIVE

TURN ON THE DOLLY

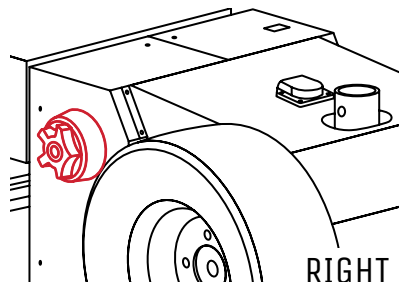
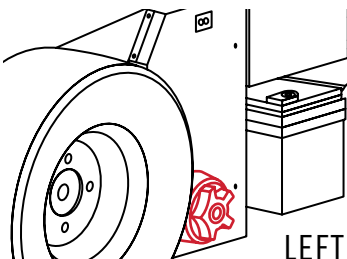
Press and Hold the Power Button to turn on the Dolly. Connect the Trailer's 7 Pin Brake Cable to the **Smart Brake Plug**.



FREEWHEEL KNOBS

Ensure the Dolly is in parking position and ready to connect to the Hitch, then **Engage both Motors**.

(See page 8)

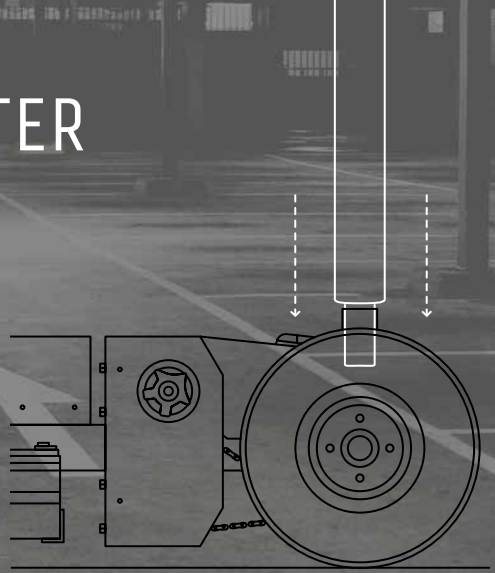


INSERT ADAPTER

Ensure that the **Trailer is Level**, the **Adapter is straight**, and the **Dolly is in the Drive Position**.

Re-adjust the Dolly with the **Wireless Controller** if needed.

Use the **Trailer Jack Stand** to fully lower the Adapter into the **Receiver Tube**.



READY!

ENSURE CONNECTION IS
SECURE BEFORE OPERATING!



KINGPIN BOX
STABILIZER BARS

LANDING LEG
STABILIZER BARS

PARKING YOUR TRAILER

Use the **Forward** and **Reverse** Toggle Switches to steer into tight spaces that are nearly impossible for vehicles.

The **Wireless Controller** can be used while attached to the Dolly, or from a distance for more precise parking.

DISCONNECTING THE HITCH

Chock Trailer Wheels to prevent a runaway trailer.

Raise the Trailer to withdraw the **Adapter**.

The Adapter can be removed or left on the hitch for later use.

STORAGE & MAINTENANCE

Freewheel the Dolly to desired storage area, preferably under cover.

Charging the On-Board Battery: Plug the Battery Cable into the Dolly. Unplug the Handle Cable, then plug the Dolly's Charger Cable into a wall outlet. Stops charging automatically when full.

Grease the Receiver Tube and **Lubricate the Chain** with **Chain Lube**. Can be done annually, or more often if used more frequently.

QUESTIONS?

CALL TOLL-FREE:

1-888-926-5517 EXT. 1

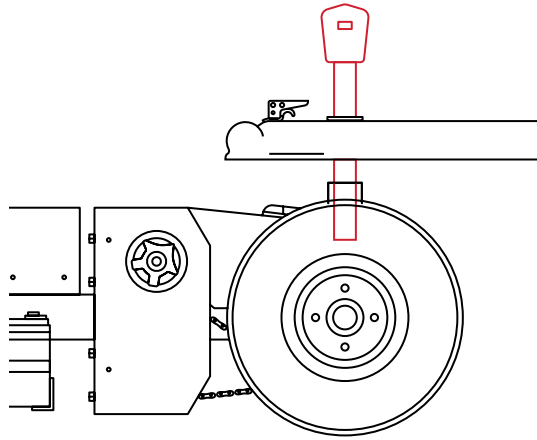
ALTERNATE CONNECTIONS

TRAILER JACK POST

Remove the Ball Mount Adapter.

Lower the Trailer Jack into the Dolly's **Receiver Tube**, following the standard connection process.

The trailer should rest as close to the Dolly's Tires as possible to reduce strain on the Jack Shaft.

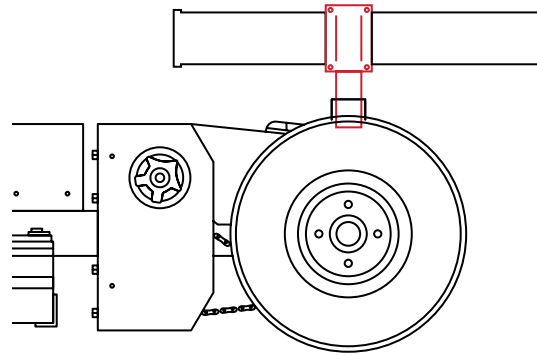


TELESCOPIC FRAME ADAPTER

Remove the Ball Mount Adapter.

Attach the Telescopic Adapter to the Y section of the trailer frame.

Lower the Telescoping Pipe into the Dolly, following the standard connection process. Slide the Adapter's locking pin into place.



CALL TOLL-FREE:
1-888-926-5517

Ext. 1 - Sales & Service
Ext. 2 - Administration

OFFICE HOURS (WEEKDAYS)
8AM-4PM EST

sales@parkit360.com
admin@parkit360.com
support@parkit360.com

2 YEAR PARTS & REPAIR WARRANTY

Your Parkit360 Dolly is covered for 2 years from the initial date of purchase. If a defect is found during this time, contact us with the original sales receipt number and details of the fault encountered.

Our Technical Support will attempt to solve the issue remotely. If the issue appears to be caused by defective parts, we will provide free replacement parts, excluding shipping costs.

If the 2 Year Warranty has expired or if you are not the original owner, you will have to pay the cost of parts and shipping. This repair will be covered for 3 months, starting 7 days from the date of shipment.

The Repair Warranty will expire either at the end of the 3 month period, or at the expiration of the original 2 -Year Warranty, whichever is later.

30 DAY RETURN POLICY

If a material defect is found or if the Parkit360 has failed to perform to your expectations, return it within 30 days of the date of sale for a refund, less the flat shipping cost of \$500 USD and \$200 restocking fee.

1. Pack the Dolly back into the box and onto the skid that it came in. Call us at 1-888-926-5517 EXT.1 to let us know about your return. Please provide us with your Sales Receipt or Online Order number.
2. Our staff will provide you with an RMA# that must be written on the box prior to sending. We will email you a Return Shipping Label that must be affixed to the box prior to drop off at your nearest FedEx Depot. *(If you are unable to drop off the Unit, Pick-Up can be arranged.)*
3. Receive your refund minus the shipping and restocking fee once the Dolly arrives at our warehouse.

EXCLUSIONS AND LIMITATIONS

The 2 Year Warranty and 30 Day Return Policy do not cover:

- *Normal wear and tear of the Parkit360 from use*
- *Shipping Costs for Returns / Repairs*
- *Customer Neglect and Improper Use or Storage of the Parkit360*
- *Modified Dollies, or if the Serial Number has been altered or removed*



DANGER

DO NOT EXCEED DOLLY'S
MAX. WEIGHT CAPACITY

RE-TIGHTEN BALL MOUNT
BEFORE OPERATION

DO NOT OPERATE ON MORE
THAN A 4% GRADE



Parkit360°

PARKIT360 INC.

130 Industrial Ave, Unit 600

Carleton Place, ON K7C 3T2 Canada

1-888-926-5517 or PARKIT360.com