

TRANSFORMER 15K

INSTRUCTION MANUAL

VERSION 4.2



READ CAREFULLY
BEFORE OPERATION

IMPROPER USE OF THIS DOLLY CAN
CAUSE DAMAGE TO YOUR TRAILER,
PERSONAL INJURY OR EVEN DEATH.



DANGER

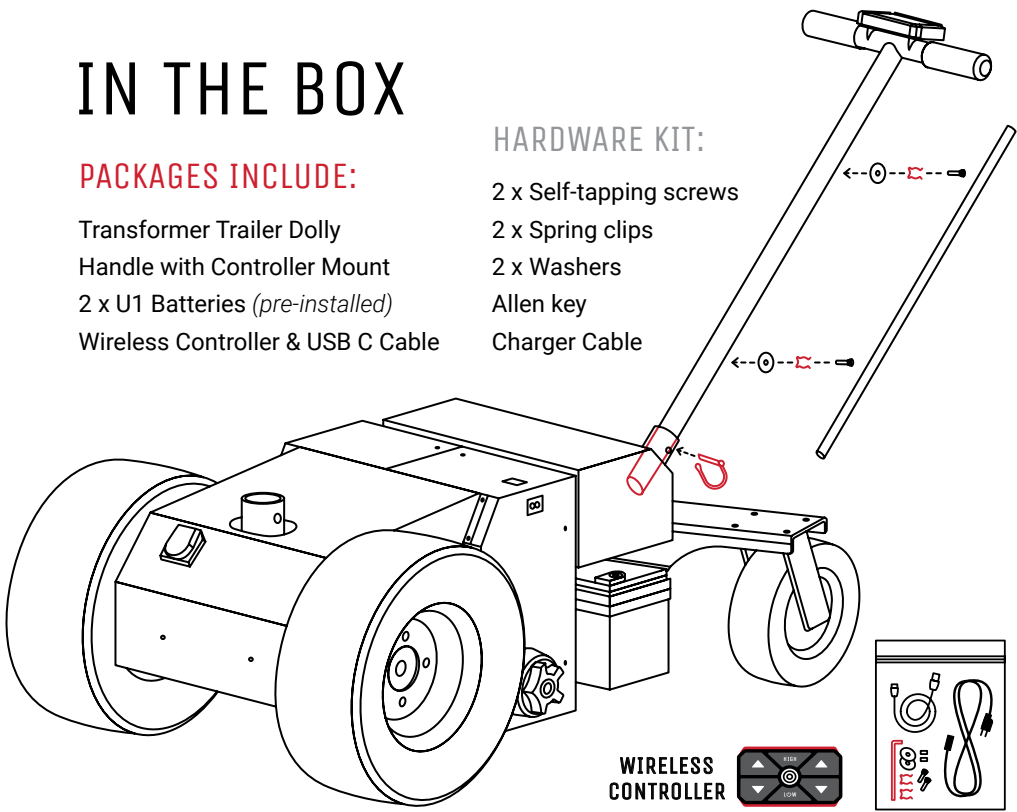
IN THE BOX

PACKAGES INCLUDE:

- Transformer Trailer Dolly
- Handle with Controller Mount
- 2 x U1 Batteries (*pre-installed*)
- Wireless Controller & USB C Cable

HARDWARE KIT:

- 2 x Self-tapping screws
- 2 x Spring clips
- 2 x Washers
- Allen key
- Charger Cable



FIFTH WHEEL ADAPTER

PACKAGE INCLUDES:

- Kingpin Adapter
- U Locking Pin with D-Clip



BALL MOUNT ADAPTER

PACKAGE INCLUDES:

- Ball Mount & Thrust Washer (Puzzle)
- 2 Hitch Balls: 2" and 2 5/16"
- Stabilizer Ratchet Straps (Ball Mount Only)
- Tightening Bar



UNIVERSAL STABILIZER BARS

THIS ALL-IN-ONE KIT INCLUDES:



Mounting Ring Tube
with Through Bolt and Nut
(1/2" x 5")



6 D-Pins
(3/8")

2 Inner Tubes (1.25" x 1.25" x 32")



2 Inner Pivot Tubes
(1.25" x 1.25" x 3.5")

2 Outer Tubes (1.5" x 1.5" x 32")



2 Outer Pivot Tubes
(1.50" x 1.50" x 3.5")

2 Large Bolts
(1/2" x 2 1/2")



2 Medium Bolts
(1/2" x 2")



2 Small Bolts
(1/2" x 1 1/2")



4 Lock Washers
(1/2")



2 Flat Washers
(1/2")



2 Coupling Nuts
(1/2" x 1 3/4")



2 Landing Leg Tubes (1.5" x 1.5" x 43.5")



2 Landing Leg
Attachments
(Adjustable)

2 Landing Leg Bolts
(3/8" x 2.5")



2 Wing Nuts
(3/8")



SETUP & INSTALLATION

CHOOSE YOUR PREFERRED CONNECTION POINT ON YOUR TRAILER:

KINGPIN BOX

PAGE 18-19

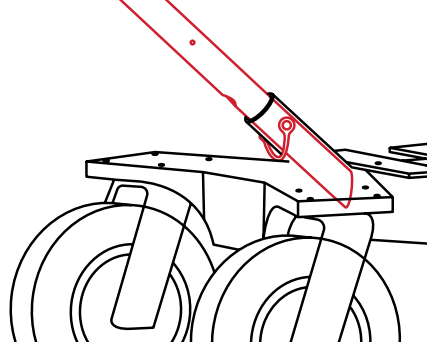
LANDING LEG

PAGE 20-21

ASSEMBLY

HANDLE

Insert the Handle into the Dolly.
Secure with D-Clip.



POWER ON/OFF

TURN ON

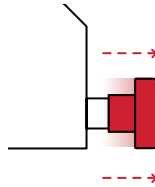
Pull OUT on the **Battery Disconnect**.

Press and hold the Power Button until the light illuminates.

TURN OFF

Press and hold the Power Button until the light turns off.

Push the battery disconnect IN to prevent battery drain during storage.



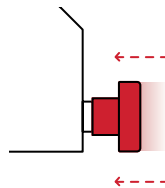
PULL OUT

Enables Battery Power.



PRESS & HOLD

To turn ON or OFF.



PUSH IN

Disconnects Batteries.

BATTERIES

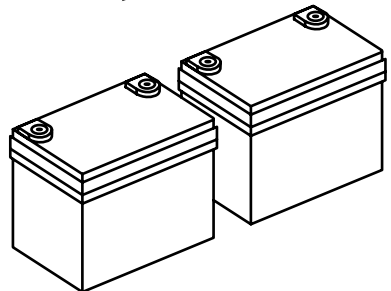
12V U1 DEEP CYCLE

Both batteries arrive pre-connected and ready to operate.

Battery Voltage is displayed on the Volt Meter on the Dolly's Module.

While in storage, charge every 2 months to preserve battery life.

Batteries are covered by an **Interstate®** 1 Year Warranty. Starts from date of purchase. See page 24 for details.



FEATURES

RECEIVER TUBE

Connect to the trailer with either the Kingpin or Gooseneck adapter.



SMART BRAKE

7-Way power plug that controls the trailer's electric or surge brakes. (Page 5)



INTERNAL BATTERY CHARGER

Charges both on-board 12V U1 Batteries. Digital display shows charging voltage and amperage. (Page 7)

FREEWHEEL KNOBS

The Transformer wheels are powered independently by two 1.7 hp motors.

Engage both motors to move the Dolly with power, or push by hand in Freewheel mode.

(Page 8)



INTELLIGENT SPEED CONTROL™

Use the Wireless Controller to switch between High and Low speed for fast or more precise parking.

Motors Start and Stop gradually for a smoother parking experience.

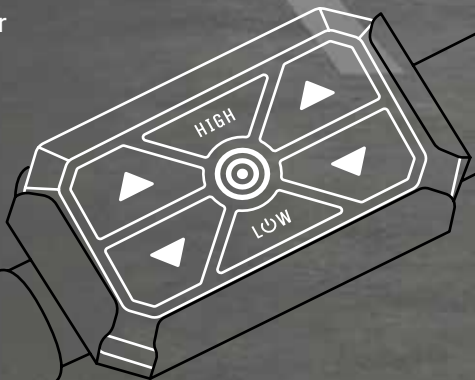
(Page 6)

WIRELESS CONTROLLER

Control the Dolly from a distance and switch speeds on the go!

Charge when not in use.

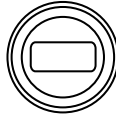
(Page 6)



MODULE FEATURES



2



1



4

CIRCUIT BREAKERS

PUSH TO STOP
BATTERY DISCONNECT



Parkit360°



DANGER: DO NOT EXCEED MAXIMUM WEIGHT CAPACITY OF THIS UNIT! CAN CAUSE DAMAGE TO YOUR TRAILER OR SERIOUS INJURY. REFER TO USER MANUAL BEFORE OPERATION. DO NOT OPERATE ON MORE THAN 4% GRADE. ENSURE UNIT IS STABLE BEFORE OPERATING.

3



1 POWER ON/OFF

Press and hold for 2 seconds to turn ON or OFF.

2 VOLT METER

Allows you to monitor the Battery Voltage during operation. Fully charged batteries rest between 12.6 to 13V.

3 BATTERY DISCONNECT

Push the big red button to cut off the Dolly's electrical connection. Used to prevent battery drain while in storage and as an emergency stop.

4 WIRELESS RECEIVER

Connects controller to the Transformer.

CIRCUIT BREAKERS

Provides overcurrent protection for the Motors, Brakes and Control System. If a breaker trips, the Reset Button will extend up to 1/2" from the panel.

Allow 15 seconds for the system to cool down, then press Reset.

SMART BRAKE



7-Way Power Plug that Controls the Trailer's Brakes:

Electric Brakes (RV Trailers):

Releases Trailer brakes when Dolly motors are operating. Engages brakes when the Dolly is powered ON and not in motion.

Surge Brakes (Boat Trailers):

Locks out the Surge Brakes when the Dolly is operating.

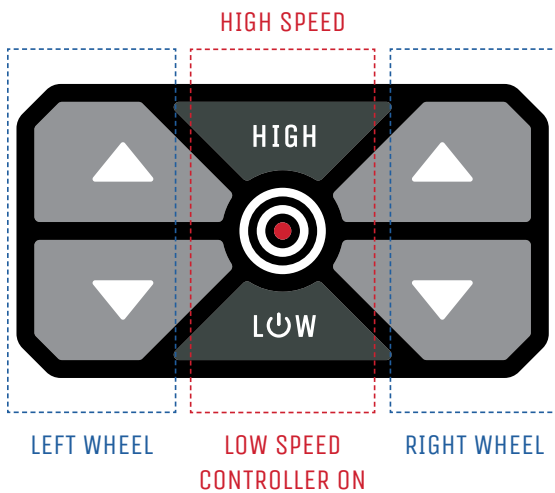
WIRELESS CONTROLLER



Operating from the user's perspective:
Behind the Dolly, facing the Trailer.

REVERSE ← (TOWARDS USER) → FORWARD (BACK UP TRAILER)

INTELLIGENT SPEED CONTROL™



LED INDICATOR LIGHT

- ON
Steady - Press LOW to Activate
- In Use
Slow Blink - During button press
- Battery Low
Fast Blink - Charge ASAP!
- Sleep Mode
Off - Enters this mode after 60 seconds of inactivity



FORWARD



REVERSE



CLOCKWISE

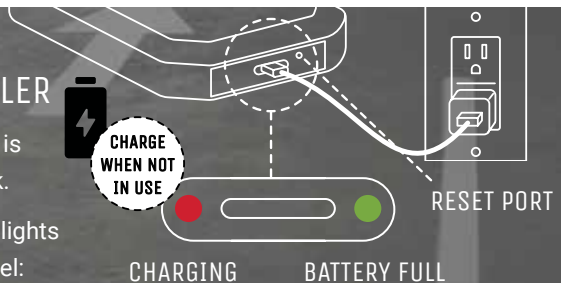


COUNTER-CLOCKWISE

CHARGING THE CONTROLLER

The included braided USB C cable is compatible with any charger block.

Once plugged in, two internal LED lights will indicate the battery charge level:



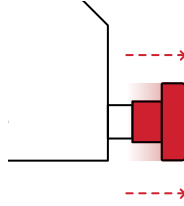
12V BATTERY CHARGING

PREPARING THE DOLLY



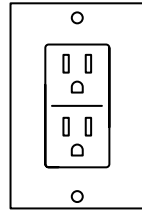
POWER OFF

Press and hold for 2 seconds to turn the Transformer Dolly OFF.



PULL OUT

Ensures Batteries are connected. Monitor charger display above charger plug.



PLUG IN

Plug the Charger Cable into the Dolly, then into the nearest wall outlet.

CHARGER DISPLAY

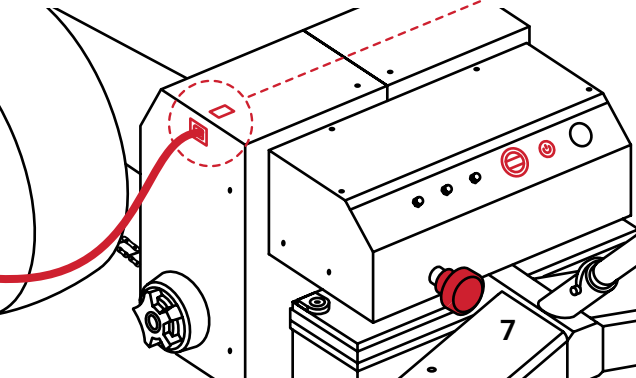
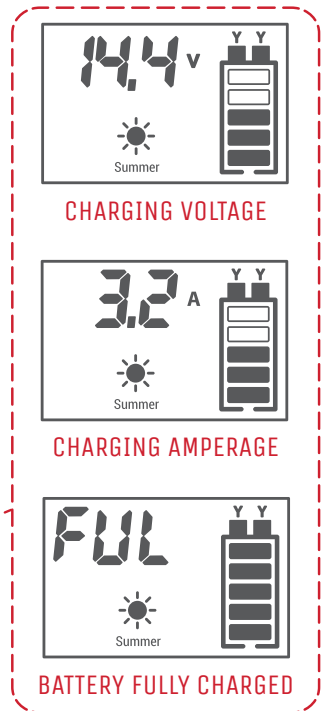
Shows **Charge Level of Battery** when connected to a 120V power outlet.

While charging, the display alternates between **Charging Amperage** and **Voltage**. The battery graphic shows the % complete.

When charging is complete, **FUL** is displayed and the battery graphic is completely filled:

Get an **Error Code**? (ERR) Check the terminal connections and Dolly plug to ensure they are properly connected.

Get a **Repair Code**? You may have a faulty battery. Please call us to order a replacement!



FREEWHEEL KNOBS: SWITCHING GEARS

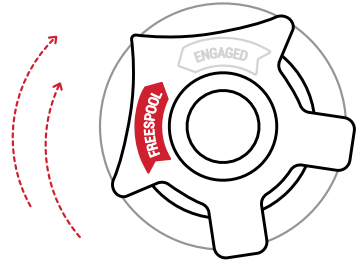


FREEWHEEL/SPOOL

NEUTRAL. MOVE THE DOLLY WITHOUT POWER WHILE IT IS NOT UNDER LOAD.

Turn both of the Transformer's motor knobs in the direction of the Freespool arrow until it stops. Freely move the Dolly to and from the trailer in this mode.

This mode is intended for transportation only.



DRIVE

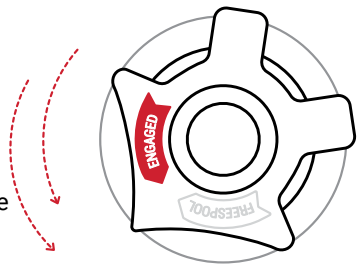
ENGAGE THE MOTORS TO CONNECT TO THE TRAILER AND PARK WITH POWER.

Ensure the Dolly is in parking position underneath the trailer hitch.

Turn both of the Transformer's motor knobs in the direction of the Engaged arrow until it stops and clicks into position. Rock the Dolly back and forth to ensure the motor is engaged.

Use the wireless controller to move the Dolly.

When pushed manually in this mode, the Dolly will only move an inch forwards or backwards before stopping.





DANGER

DO NOT EXCEED DOLLY'S MAX. WEIGHT CAPACITY

CAN CAUSE DAMAGE TO YOUR TRAILER OR PERSONAL INJURY.

FIFTH WHEEL / KINGPIN

UP TO 15,000 LBS GVWR

3,000 LBS TONGUE WEIGHT

BALL MOUNT

UP TO 10,000 LBS GVWR

1,000 LBS TONGUE WEIGHT

INSTALL UNIVERSAL STABILIZER BARS BEFORE MOVING TRAILER

CHOOSE A COMPATIBLE TRAILER CONNECTION POINT ON THE TRAILER'S KINGPIN BOX, OR LANDING LEGS.

DO NOT OPERATE ON MORE THAN 4% GRADE

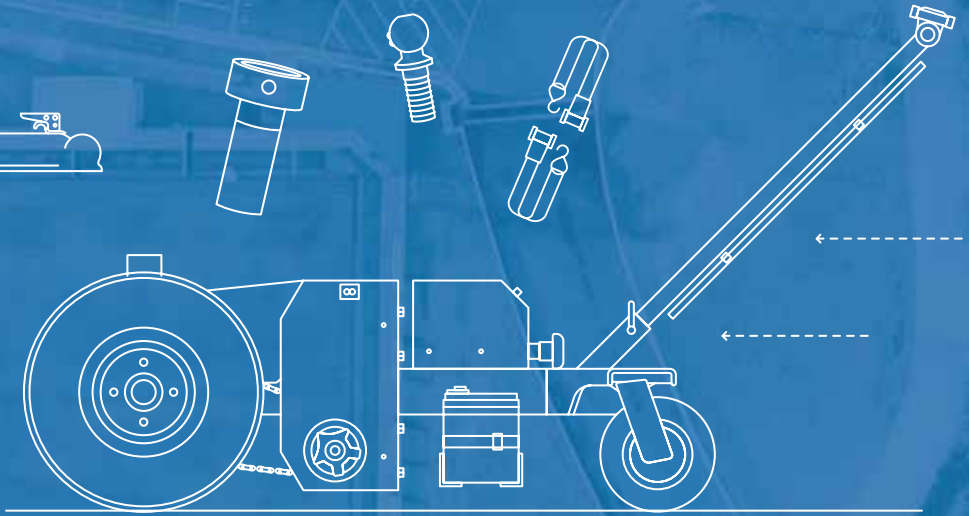
RISK OF RUNAWAY TRAILER.

DO NOT OPERATE ON STEEP INCLINES.

CONNECTING TO YOUR TRAILER:

BALL MOUNT ADAPTER

With both motors in **Freewheel Mode**, move the Dolly and all required Accessories to the Trailer: **Ball Mount, Hitch Ball, and Stabilizer Straps**.

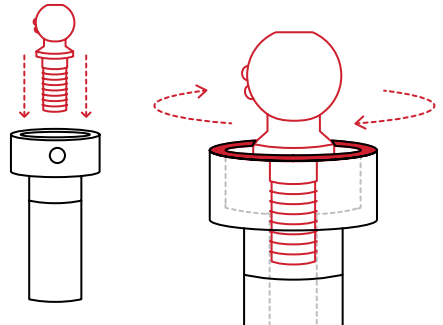


BALL MOUNT ASSEMBLY

HITCH BALL

Thread desired **Hitch Ball** into the Ball Mount. Apply a generous portion of **All-Purpose Grease** along the top surface of the **Ball Mount Collar**.

The shoulder of the Hitch Ball should rest slightly above the top of the collar.

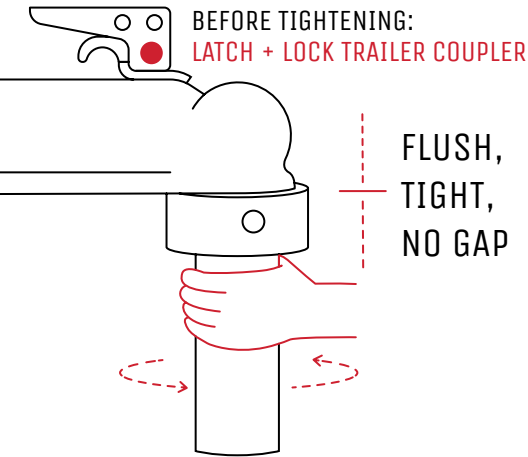
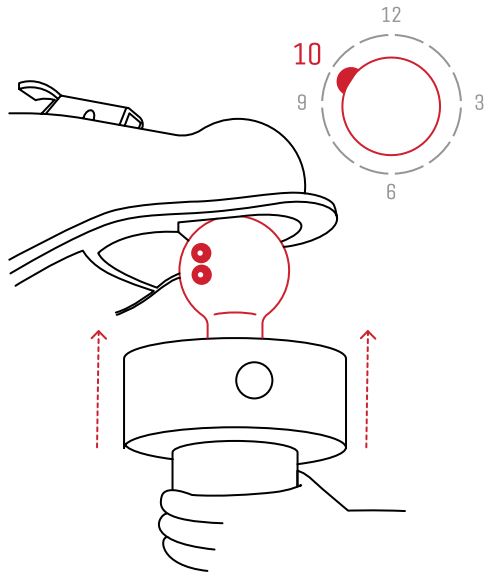


HITCH BALL PLACEMENT

WELD SPOTS

Insert the assembled Ball Mount into the Trailer Coupler and latch it down.

Make sure the **Weld Spots** on the Hitch Ball are pointed towards the **left side of your trailer at 10 o'clock**.



HITCH CONNECTION

Turn the Ball Mount **Counterclockwise** until the gap between the Ball Mount Collar and Trailer Tongue closes **tightly**.

With the Trailer Coupler latched down, insert the **Latch Pin** to secure it.

Your trailer's Latch and Pin style will vary depending on your coupler:

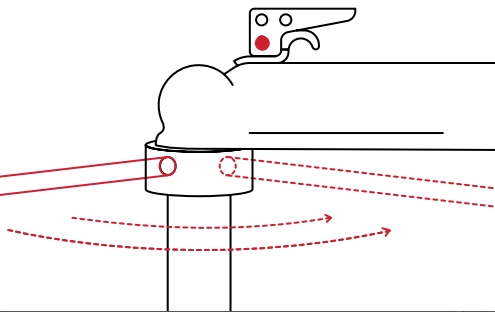


TIGHTEN THE BALL MOUNT

TIGHTENING BAR

Once the Ball Mount is secure, use the **Tightening Bar** to ensure the connection is **as tight as possible!**

This will take a few rotations.



Have a **Gap** or **Step Down Hitch** preventing a flush connection?

SEE PAGE 12



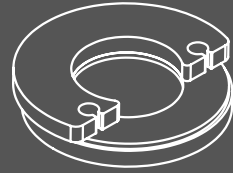
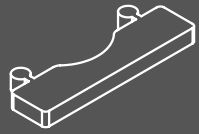
CONNECTION GAP?

THRUST WASHER WITH PUZZLE PIECE

Space between the Ball Mount and Coupler?

Install the **Thrust Washer** on top of the Ball Mount with the **Puzzle Piece** facing the Transformer.

Tighten Ball Mount as normal.



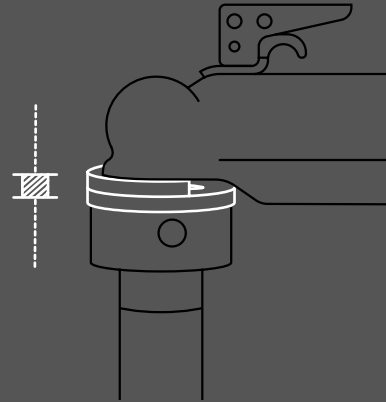
STEP DOWN HITCH?

THRUST WASHER

Have an obstruction preventing a flat connection?

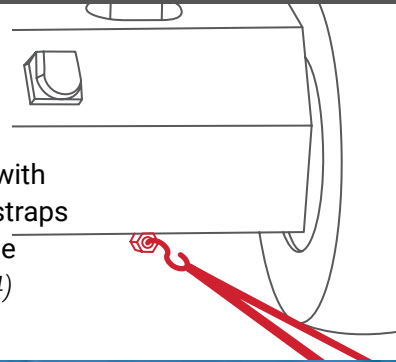
Place the **Thrust Washer** on top of the Ball Mount with the **open section** facing the trailer.

While tightening, hold the Thrust Washer in place to prevent it from spinning.



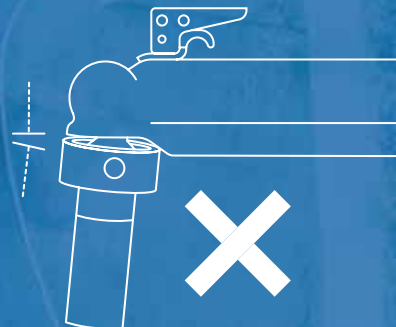
STABILIZER STRAP

The included **Ratchet Straps** are only for use with the **Ball Mount Adapter**. Secure these safety straps to the connection point located underneath the dolly to reinforce the connection. (see page 14)



⚠ DANGER

OPERATING WITH A LOOSE OR UNEVEN CONNECTION CAN CAUSE DAMAGE TO YOUR TRAILER OR PERSONAL INJURY.



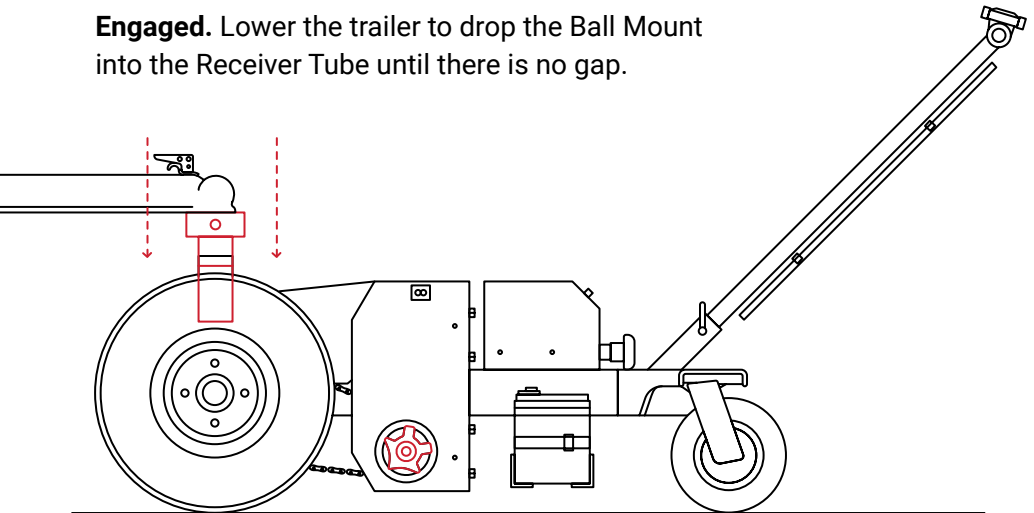
ALIGN THE DOLLY

Using the **Wireless controller**, drive the Dolly underneath the trailer's coupler. Align the **Ball Mount** with the top of the Dolly's **Receiver Tube**.



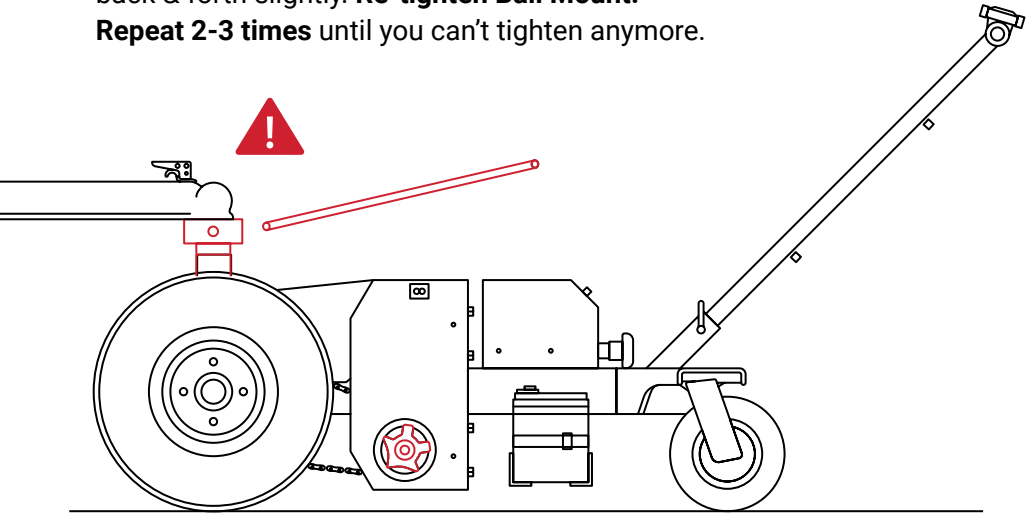
INSERT ADAPTER

Ensure that the **Trailer is Level** and the **Motor is Engaged**. Lower the trailer to drop the Ball Mount into the Receiver Tube until there is no gap.



RE-TIGHTEN BALL MOUNT

Using the **Toggle Switch**, move the Dolly back & forth slightly. **Re-tighten Ball Mount.**
Repeat 2-3 times until you can't tighten anymore.



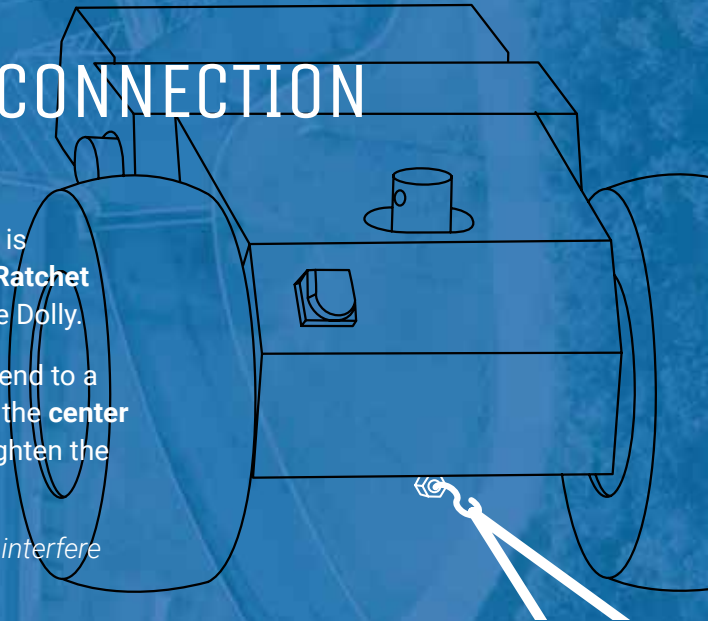
SECURE CONNECTION

RATCHET STRAPS

Once the Ball Mount is tightened, hook the **Ratchet Strap** underneath the Dolly.

Attach the opposite end to a secure point around the **center** of the Trailer, then tighten the straps to secure.

The strap should not interfere with the Dolly's tires.



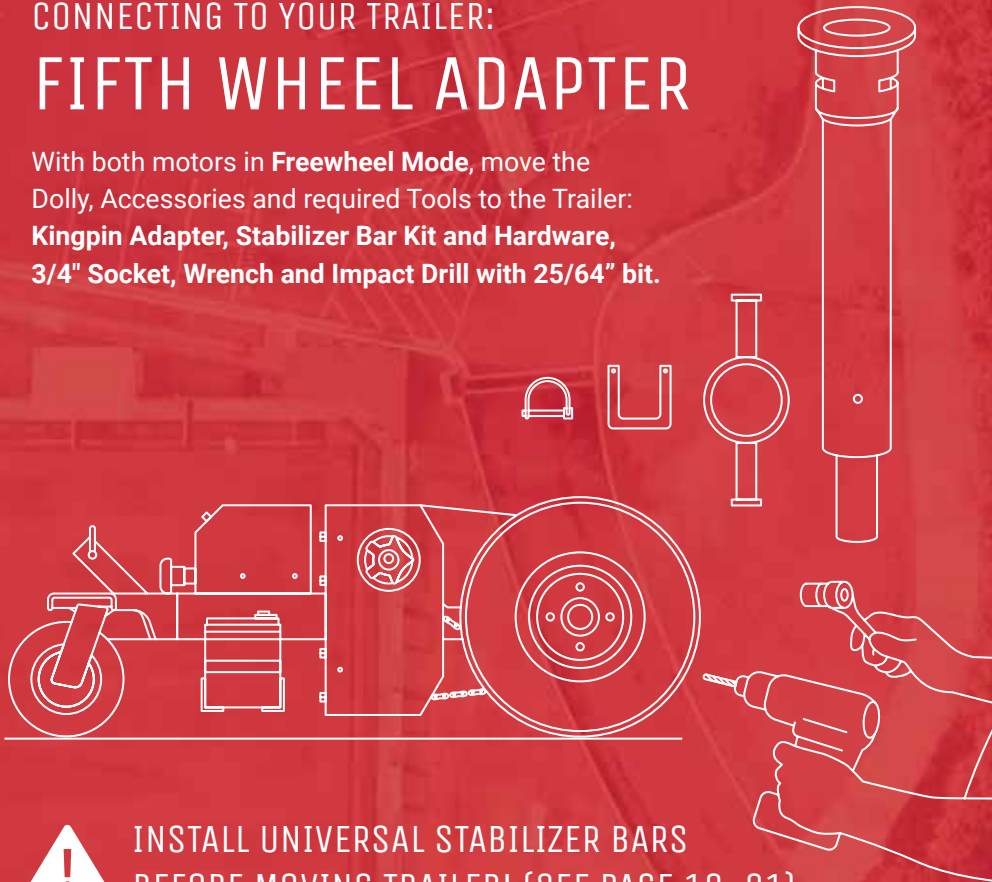
READY! ✓

ENSURE BALL MOUNT IS AS TIGHT AS POSSIBLE BEFORE OPERATING!

CONNECTING TO YOUR TRAILER:

FIFTH WHEEL ADAPTER

With both motors in **Freewheel Mode**, move the Dolly, Accessories and required Tools to the Trailer: **Kingpin Adapter, Stabilizer Bar Kit and Hardware, 3/4" Socket, Wrench and Impact Drill with 25/64" bit.**



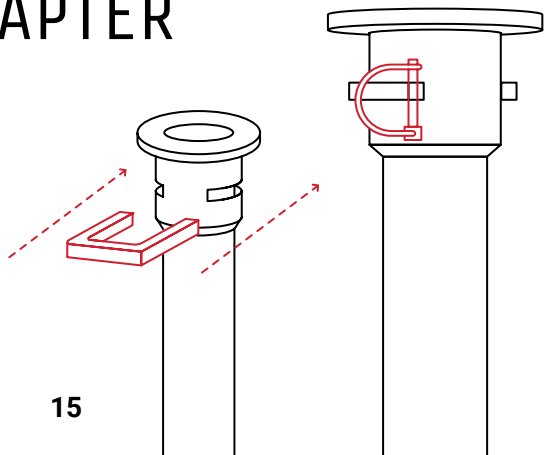
INSTALL UNIVERSAL STABILIZER BARS
BEFORE MOVING TRAILER! (SEE PAGE 18-21)

KINGPIN ADAPTER

INSTALLATION

Attach the Kingpin Adapter to the trailers' Kingpin and slide the U-shaped locking pin into place.

Secure this connection with the supplied D-Pin.

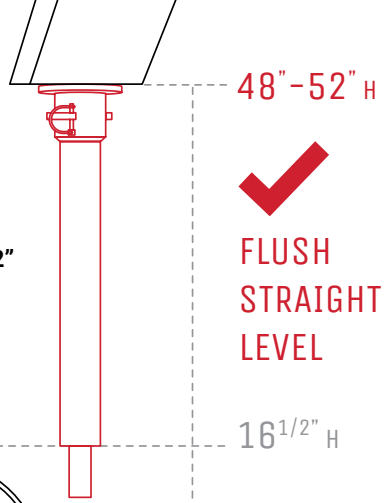


KINGPIN ADAPTER

MEASUREMENTS

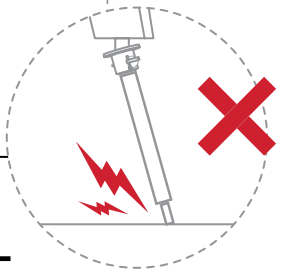
Kingpin measurements should be between **48" to 52"** from the **Ground to the Bottom of the Kingpin Box**.

If your measurements are not within this range, contact us before operating this machine!



✓
**FLUSH
STRAIGHT
LEVEL**

16^{1/2}" H

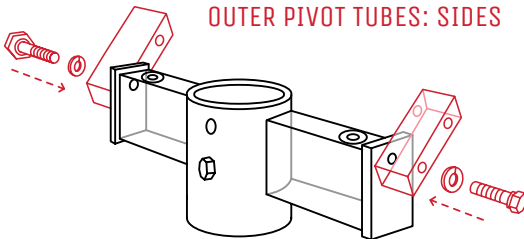


MOUNTING RING TUBE

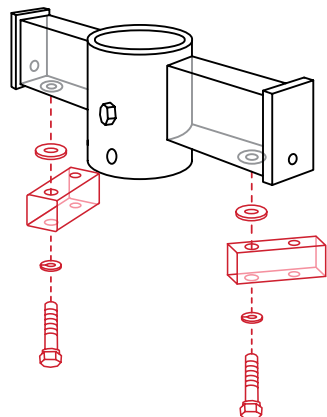
PRE-ASSEMBLY

Install the **Pivot Tubes** based on your preferred **Stabilizer Bar Connection**:

KINGPIN BOX (PG 18)
MOUNTING HOLES UP
OUTER PIVOT TUBES: SIDES



LANDING LEG (PG 20)
MOUNTING HOLES DOWN
INNER PIVOT TUBES: BELOW



INSTALLATION

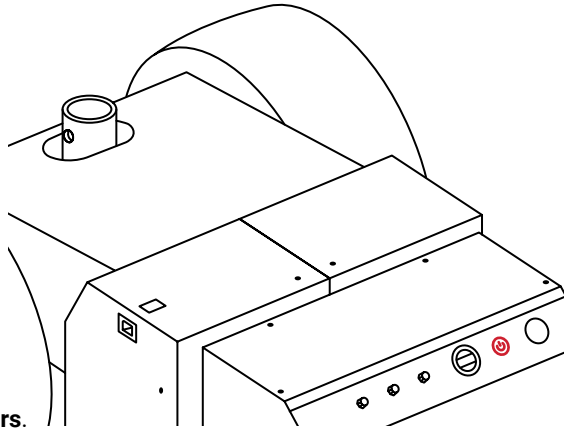
Slide the assembled **Mounting Ring Tube** over the base of the **Kingpin Adapter**.

Secure with the **5" Through Bolt** and **Nut**.

ENGAGE MOTORS INTO DRIVE

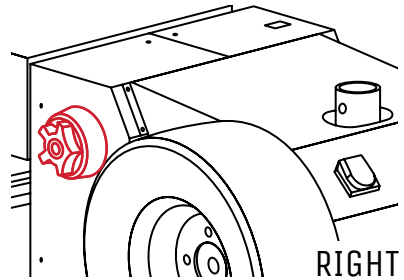
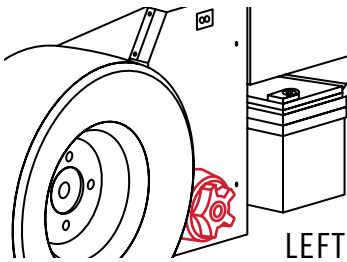
TURN ON THE DOLLY

Press and Hold the Power Button to turn on the Dolly. Connect the Trailer's 7 Pin Brake Cable to the **Smart Brake Plug**.



FREEWHEEL KNOBS

Ensure the Dolly is in parking position and ready to connect to the Hitch, then **Engage both Motors**.
(See page 8)

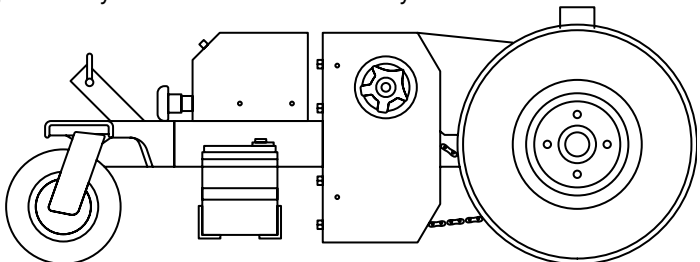


INSERT ADAPTER

With the **Wing Tube** pre-assembled and installed:

Turn on the **Wireless Controller**. Drive the Dolly underneath the hitch and align the **Receiver Tube** with the **Kingpin Adapter**.

Ensure that the trailer is level and the adapter is straight.
Use the trailer's jack to fully lower the trailer into the Dolly.



KINGPIN BOX STABILIZER BARS



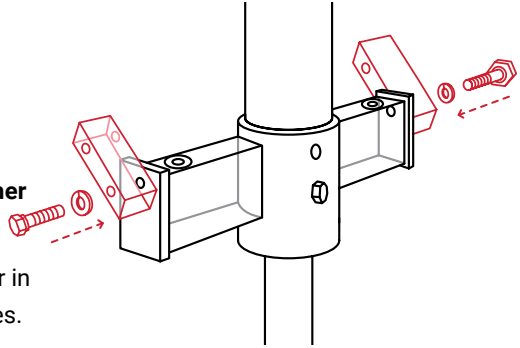
INSTALLATION VIDEO
[YOUTUBE.COM/PARKIT360](https://www.youtube.com/PARKIT360)

OUTER PIVOT TUBES

Install both **1 1/2" Outer Pivot Tubes** to the wings of the Mounting Ring Tube.

Thread **2 1/2" x 1/2" bolt** and **lock washer** into end of each wing.

Turn the pivot tubes towards your trailer in preparation for the Outer and Inner tubes.

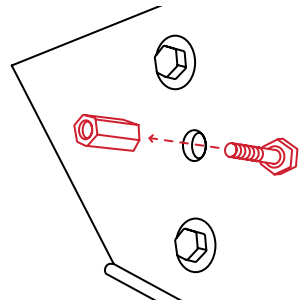


KINGPIN BOX

Thread the **1 1/2" bolt** through the Kingpin Box and into the **Coupling Nut**.

You may have to remove one of the existing bolts from your Kingpin Box.

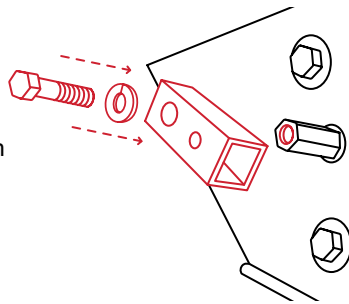
Tighten the Coupling Nut as much as possible for a secure connection.



INNER PIVOT TUBES

Attach both **Inner Pivot Tubes** to each **Coupling Nut** with supplied **2" x 1/2" bolt** and **lock washer**. Angle this in the direction of the **Outer Pivot Tubes**.

Repeat these steps on the other side of the Kingpin Box.

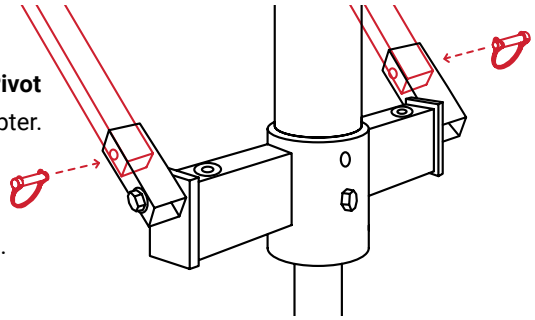


KINGPIN BOX STABILIZER BARS

OUTER & INNER TUBES

Slide the **Inner Tubes** into the **Outer Pivot Tubes** at the base of the Kingpin Adapter.

Slide the **Outer Tubes** onto the **Inner Pivot Tubes** on the Kingpin Box and secure them with the supplied **D-Pins**.



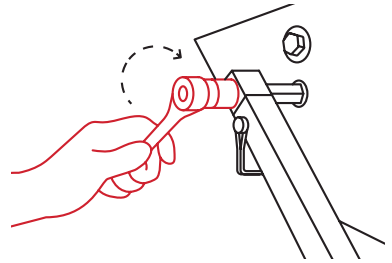
TIGHTEN BOLTS

Tighten all 4 Bolts on the top and bottom pivot tubes to complete the setup.

CONNECT TO TRANSFORMER

If you have not done so already:

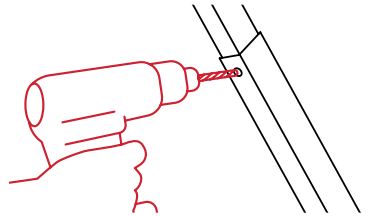
Lower the **Kingpin Adapter** into the Dolly's **Receiver Tube**. See Page 17 for details.



DRILL PILOT HOLES

Using the pre-made holes in the Outer Tube as a guide, **drill a hole** into one side of the Inner Tube, and then the other to complete the through hole. **Secure these with D-Pins**.

We recommend a 25/64" drill bit.



READY TO MOVE! ✓

USE THE WIRELESS CONTROLLER
TO PARK THE TRANSFORMER.

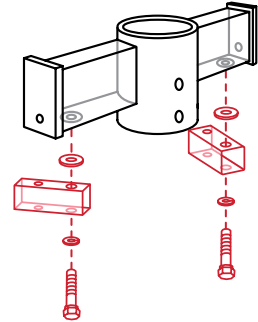
LANDING LEG STABILIZER BARS



INSTALLATION VIDEO
[YOUTUBE.COM/PARKIT360](https://www.youtube.com/PARKIT360)

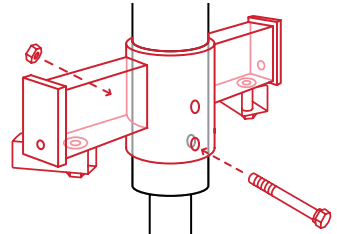
INNER PIVOT TUBES

Install both 1 1/4" **Inner Pivot Tubes** to the bottom of the Mounting Ring Tube with a 2 1/2" **bolt, lock washer, and flat washer.**



MOUNTING RING TUBE

Slide onto the **Kingpin Adapter** with pivot tubes **down**. Use the 5" through bolt and nut to secure through the **lower** hole.

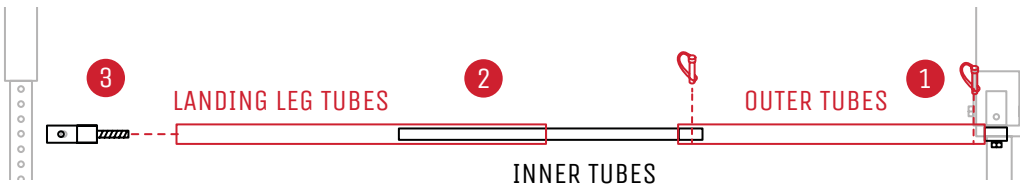


CONNECT TO TRANSFORMER

Lower the **Kingpin Adapter** into the Dolly's **Receiver Tube**. See Page 17 for details.

LANDING LEG TUBES

1. Connect the **Outer Tubes** to both **Inner Pivot Tubes** with **D-Pins**.
2. Slide the **Landing Leg Tubes** over the **Inner Tubes**, then point them towards the trailer.
3. Twist both **Landing Leg Attachments** into the end of each **Outer Tube**.



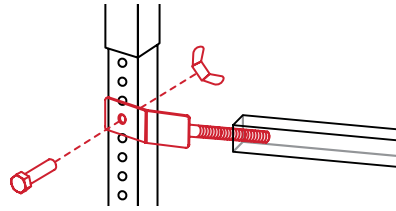
LANDING LEG STABILIZER BARS

CONNECT TO TRAILER LEGS

For safety while parking, retract the Trailer's Landing Legs until the feet are at least 2" off of the ground.

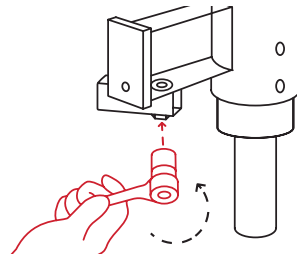
Choose a connection point on the trailer's Landing Legs that allows the **Stabilizer Bars** to sit as close to level as possible.

Attach the bars to the outside of each leg with the supplied **3/8" Bolts** and **Wing Nuts**.



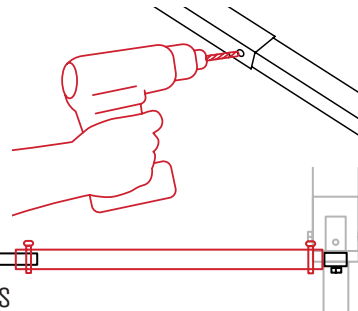
TIGHTEN BOLTS

Once the Stabilizer Bars are fully installed, tighten the **Bolts** on the **Inner Pivot Tubes** to prevent further movement.



DRILL HOLE

Drill a hole where the **Landing Leg Tubes** and **Inner Tubes** meet. Attach with **D-Pins**.



LONG OUTER TUBES



READY TO MOVE! ✓

USE THE WIRELESS CONTROLLER
TO PARK THE TRANSFORMER.

PARKING YOUR TRAILER

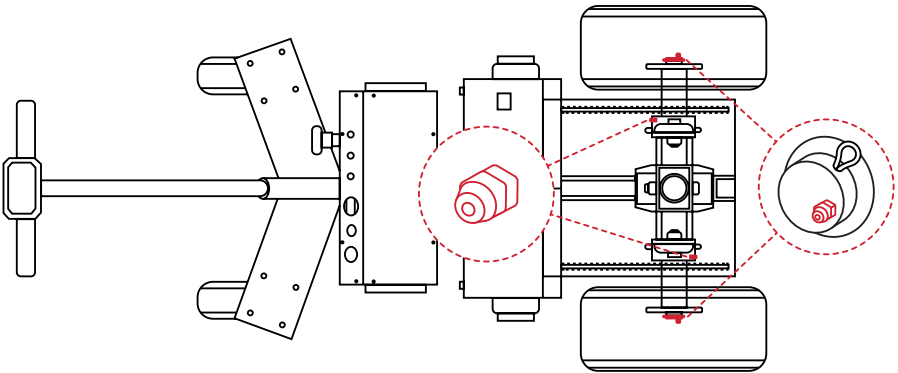
Use the **Forward** and **Reverse** buttons on the Wireless Controller to steer into tight spaces that are nearly impossible for vehicles.

DISCONNECTING THE HITCH

Chock Trailer Wheels to prevent a runaway trailer. **Raise the Trailer** to withdraw the **Adapter**. The Adapter can be removed or left on the hitch for later use.

STORAGE & MAINTENANCE

Grease Axle Fittings: Using a grease gun, apply all-purpose grease to the fittings on the outside of each wheel. Remove the chain cover and apply grease to the flange bearing fittings on the axel.



Charging the On-Board Batteries: Pull out on the **Battery Disconnect** to connect the batteries. Plug the **Charger Cable** into the Dolly and the opposite end into a nearby wall outlet. (Page 7)

Grease the Receiver Tube and **Lubricate the Chain** with **Chain Lube**. Freewheel the Dolly to desired storage area, preferably under cover.

QUESTIONS?

CALL TOLL-FREE:

1-888-926-5517 EXT. 1

ALTERNATE CONNECTIONS



JACK POST
ADAPTER VIDEO
[YOUTUBE.COM/PARKIT360](https://www.youtube.com/PARKIT360)

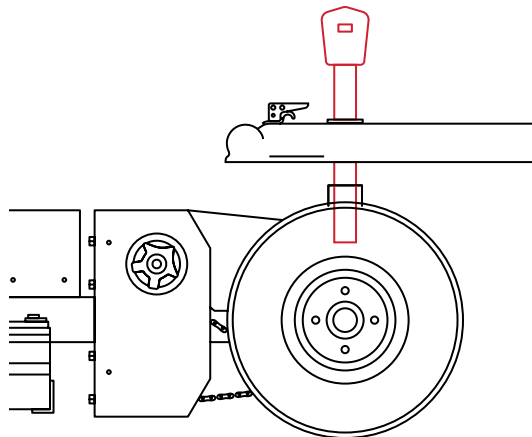


TELESCOPIC
ADAPTER VIDEO
[YOUTUBE.COM/PARKIT360](https://www.youtube.com/PARKIT360)

TRAILER JACK POST

Lower the Trailer Jack into the Dolly's **Receiver Tube**, following the standard connection process.

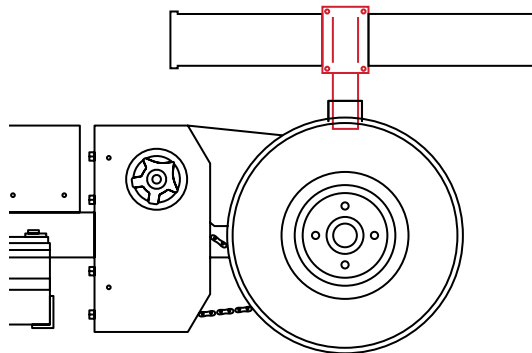
The trailer should rest as close to the Dolly's Tires as possible to reduce strain on the Jack Shaft.



TELESCOPIC FRAME ADAPTER

Attach the **Telescopic Adapter** to the Y section of the trailer frame.

Lower the Telescoping Pipe into the Dolly. Slide the Adapter's locking pin into place.



CALL TOLL-FREE:
1-888-926-5517

Ext. 1 - Sales & Service

PARKIT360 OFFICE HOURS
8AM-4PM EST (WEEKDAYS)

sales@parkit360.com

support@parkit360.com

2 YEAR PARTS & REPAIR WARRANTY

Your Parkit360 Dolly is covered for 2 years from the initial date of purchase. If a defect is found during this time, contact us with the original sales receipt number and details of the fault encountered. Our Technical Support will attempt to solve the issue remotely. If the issue appears to be caused by defective parts, we will provide free replacement parts, excluding shipping costs.

If the 2 Year Warranty has expired or if you are not the original owner, you will have to pay the cost of parts and shipping. This repair will be covered for 3 months, starting 7 days from the date of shipment.

The Repair Warranty will expire either at the end of the 3 month period, or at the expiration of the original 2 -Year Warranty, whichever is later.

30 DAY RETURN POLICY

If a material defect is found or if the Parkit360 has failed to perform to your expectations, return it within 30 days of the date of sale for a refund, less the flat shipping cost of \$500 USD and \$200 restocking fee.

1. Pack the Dolly back into the box and onto the skid that it came in. Call us at 1-888-926-5517 EXT.1 to let us know about your return. Please provide us with your Sales Receipt or Online Order number.
2. Our staff will provide you with an RMA# that must be written on the box prior to sending. We will email you a Return Shipping Label that must be affixed to the box prior to drop off at your nearest FedEx Depot. *(If you are unable to drop off the Unit, Pick-Up can be arranged.)*
3. Receive your refund minus the shipping and restocking fee once the Dolly arrives at our warehouse.

EXCLUSIONS AND LIMITATIONS

The 2 Year Warranty and 30 Day Return Policy do not cover:

- *Normal wear and tear of the Parkit360 from use*
- *Shipping Costs for Returns / Repairs*
- *Customer Neglect and Improper Use or Storage of the Parkit360*
- *Modified Dollies, or if the Serial Number has been altered or removed*
- *12V U1 Batteries are covered separately by an **Interstate® 1 Year Warranty** that starts from your date of purchase. Find a Service Location near you: interstatebatteries.com/location-finder*



DANGER

DO NOT EXCEED DOLLY'S
MAX. WEIGHT CAPACITY

DO NOT OPERATE ON MORE
THAN A 4% GRADE



Parkit360°

PARKIT360 INC.

130 Industrial Ave, Unit 600

Carleton Place, ON K7C 3T2 Canada

1-888-926-5517 or PARKIT360.ca