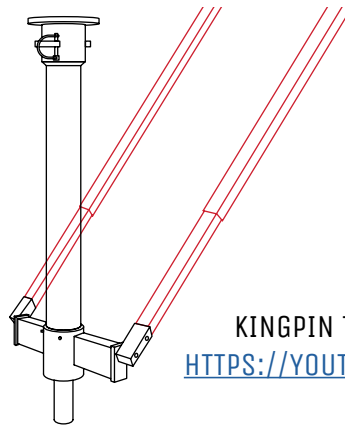


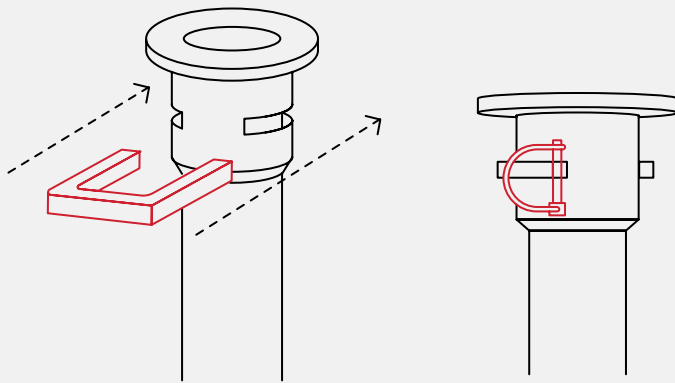
ADAPTER INSTALLATION:

# KINGPIN: WITH STABILIZER BARS



KINGPIN TUTORIAL VIDEO:  
[HTTPS://YOUTU.BE/00SCCLZJMMA](https://youtu.be/00scclzjmma)

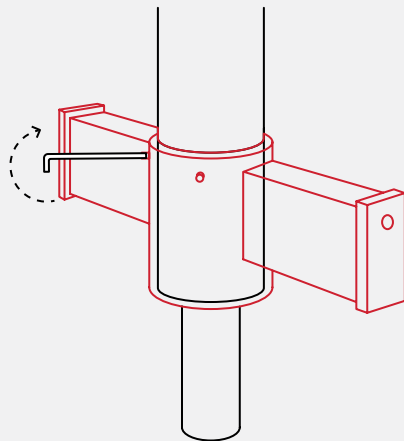
1



Attach the **Kingpin Adapter** to the trailers' Kingpin and slide the U-shaped locking pin into place.

Secure this connection with the supplied D-Pin.

2

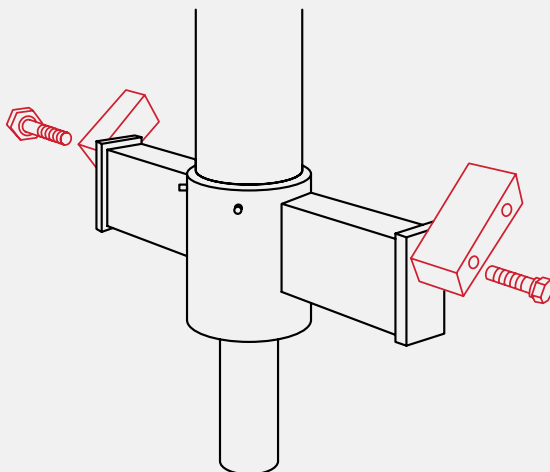


Slide the **Mounting Ring Tube** onto the Kingpin Adapter, ensuring that its bottom edge is flush with the base of the adapter.

*Make sure the wings of the Mounting Ring Tube are parallel with the front section of your trailer.*

Once it is in position, use the Allen Key to tighten the set screws.

3

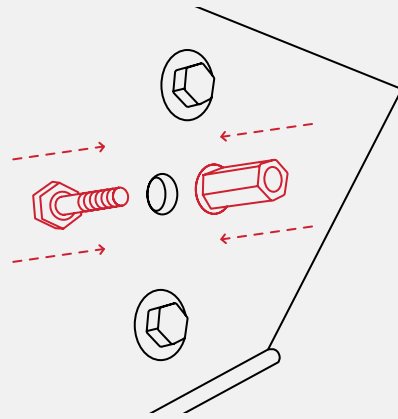


Install both **1 1/2" Pivot Tubes** to the ends of the Mounting Ring Tube with the 2 1/2" Bolts and lock washer.

*Tighten the bolts loosely to allow room for adjustments.*

Turn the Pivot Tubes towards your trailer at a 45° angle in preparation for the Inner and Outer tubes.

3

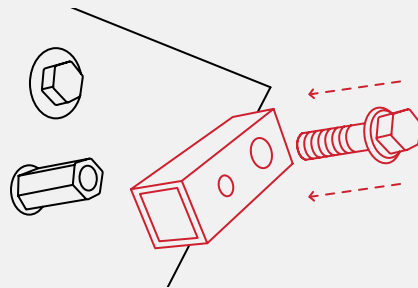


With the 1 ½ inch bolt, flat washer and lock washer, thread the **Coupling Nut** into the outer portion of the **Kingpin Box**.

*You may have to remove one of the existing bolts from your Kingpin Box.*

**Tighten the Coupling Nut** as much as possible for a secure connection.

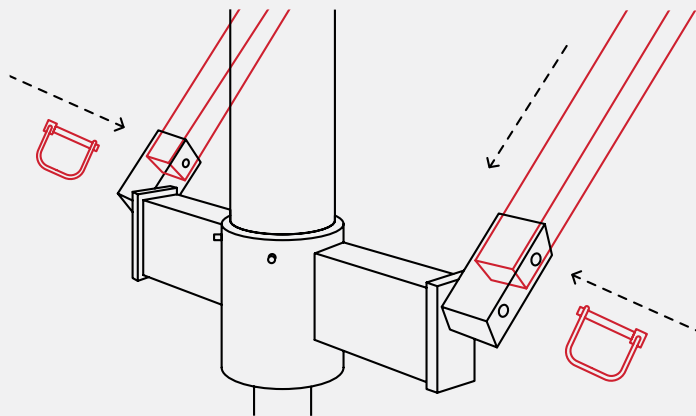
4



Attach the **Trailer Mount Tube** to the **Coupling Nut**. Angle this in the direction of the **Pivot Tubes**.

Repeat steps 3-4 on the other side of the Kingpin Box.

5

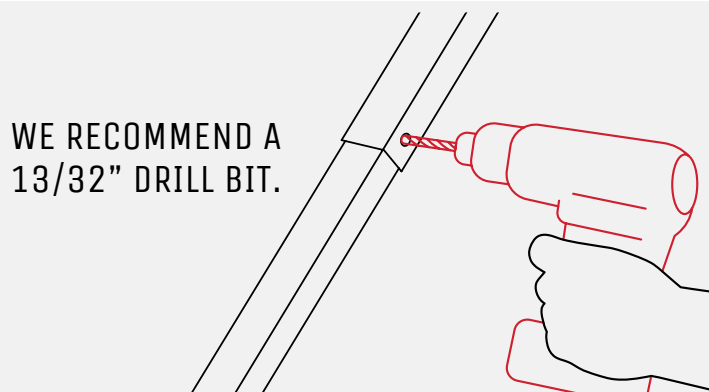


Slide the **Inner Tubes** into the **Pivot Tubes** at the base of the Kingpin Adapter.

Slide the **Outer Tubes** into the **Trailer Mount Tubes** on the Kingpin Box.

Secure these connections with the 4 supplied D-Pins.

6

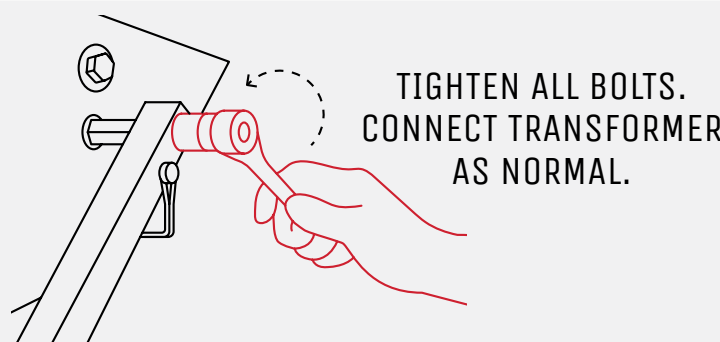


WE RECOMMEND A 13/32" DRILL BIT.

Using the pre-made holes in the outer tube as a guide, drill a hole into one side of the inner tube and then the other to complete the through hole. Secure these with D-Pins.

*This hole will only need to be drilled on the initial installation: 1 hole in each set of tubes.*

7



TIGHTEN ALL BOLTS.  
CONNECT TRANSFORMER  
AS NORMAL.

Tighten the 4 bolts on the top and bottom pivot tubes.

**Follow Steps 5-6 on Page 11 of the [Transformer Manual](#) to connect to the Transformer.**