

FORCE WITH INTELLIGENT SPEED CONTROL™

5K & 10K ELECTRIC TRAILER DOLLY

VERSION 5.1



DANGER

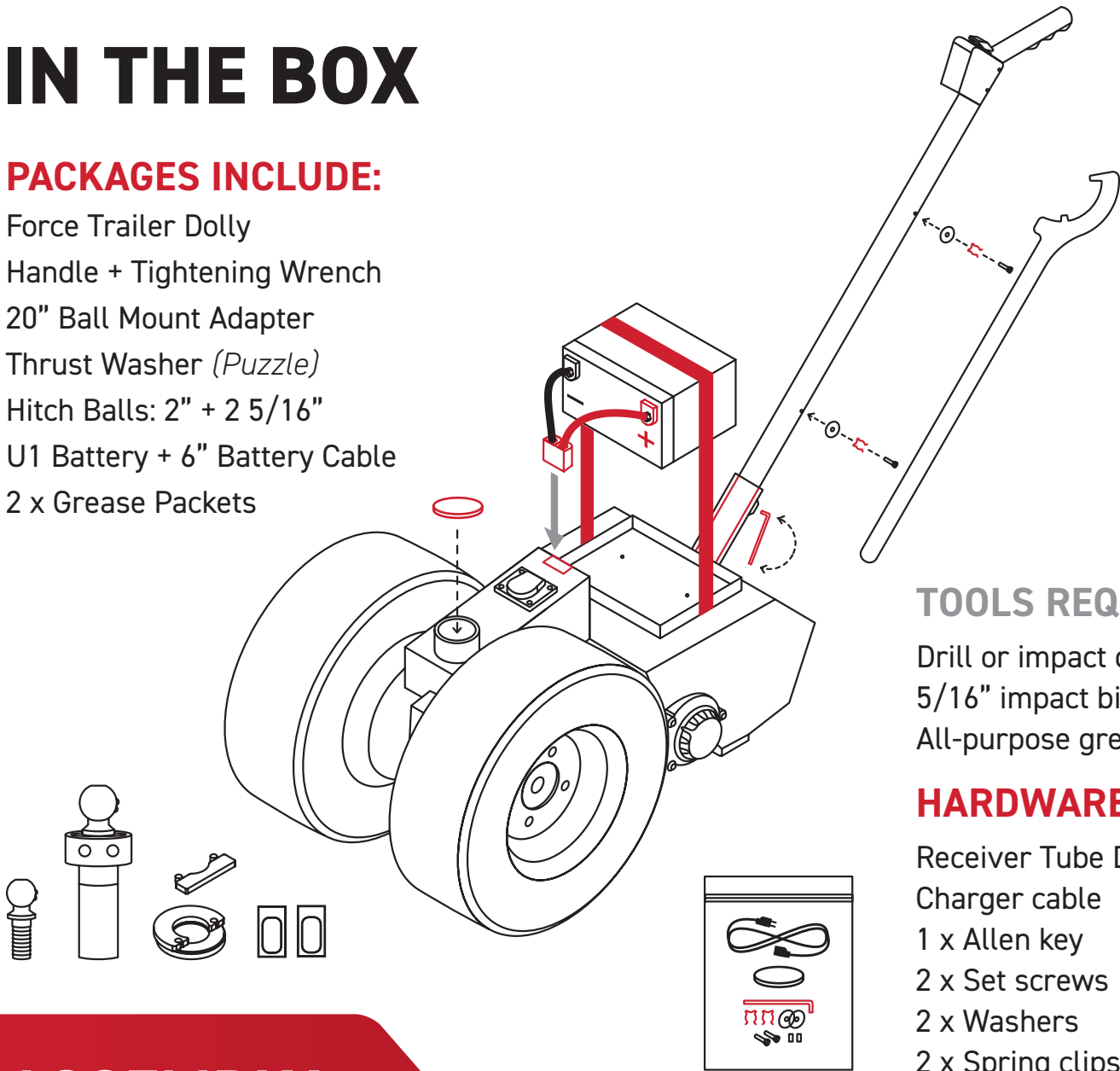
**READ CAREFULLY
BEFORE OPERATING**

IMPROPER USE CAN CAUSE DAMAGE TO
YOUR TRAILER OR PERSONAL INJURY.

IN THE BOX

PACKAGES INCLUDE:

Force Trailer Dolly
Handle + Tightening Wrench
20" Ball Mount Adapter
Thrust Washer (*Puzzle*)
Hitch Balls: 2" + 2 5/16"
U1 Battery + 6" Battery Cable
2 x Grease Packets



TOOLS REQUIRED:

Drill or impact driver
5/16" impact bit
All-purpose grease

HARDWARE KIT:

Receiver Tube Disc
Charger cable
1 x Allen key
2 x Set screws
2 x Washers
2 x Spring clips

ASSEMBLY

Slide the **handle** into the handle receiver tube and secure it with the provided **set screws** and **Allen key**. Plug the **handle cable** into the 3-prong port next to the dolly's volt meter. Use the remaining **washers** and **screws** to mount the **spring clips** to the handle for easy access to the **Tightening Wrench**.

Apply grease to Receiver Tube Disc before installing into the dolly's Receiver Tube. Apply grease to the top surface of the **Ball Mount** and **hitch ball threads**, before installing the **Thrust Washer** and **hitch ball**. Any remaining grease can be applied to the inside of the Receiver Tube.

Install the **Interstate® U1 Sealed Battery** on it's side, with the terminals facing the dolly's power plug. Covered by an **Interstate® 1 Year Warranty**. (Page 32)



FEATURES

SMART BRAKE

7-pin trailer brake controller that operates electric brakes, and locks out surge brakes.

BATTERY CABLE PLUG

Power the dolly with the on-board 12V U1 Interstate® battery.

INTELLIGENT SPEED CONTROL™

Toggle between High and Low speed. Motor starts and stops gradually for a smoother parking experience.

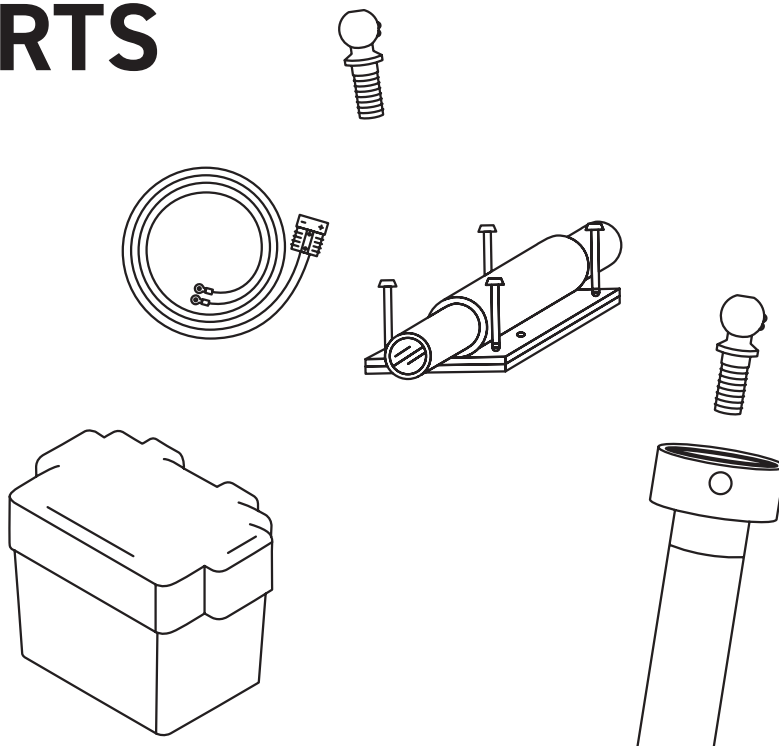
FREEWHEEL KNOB

Engages/disengages motor to switch between Drive and Neutral. (Page 8)

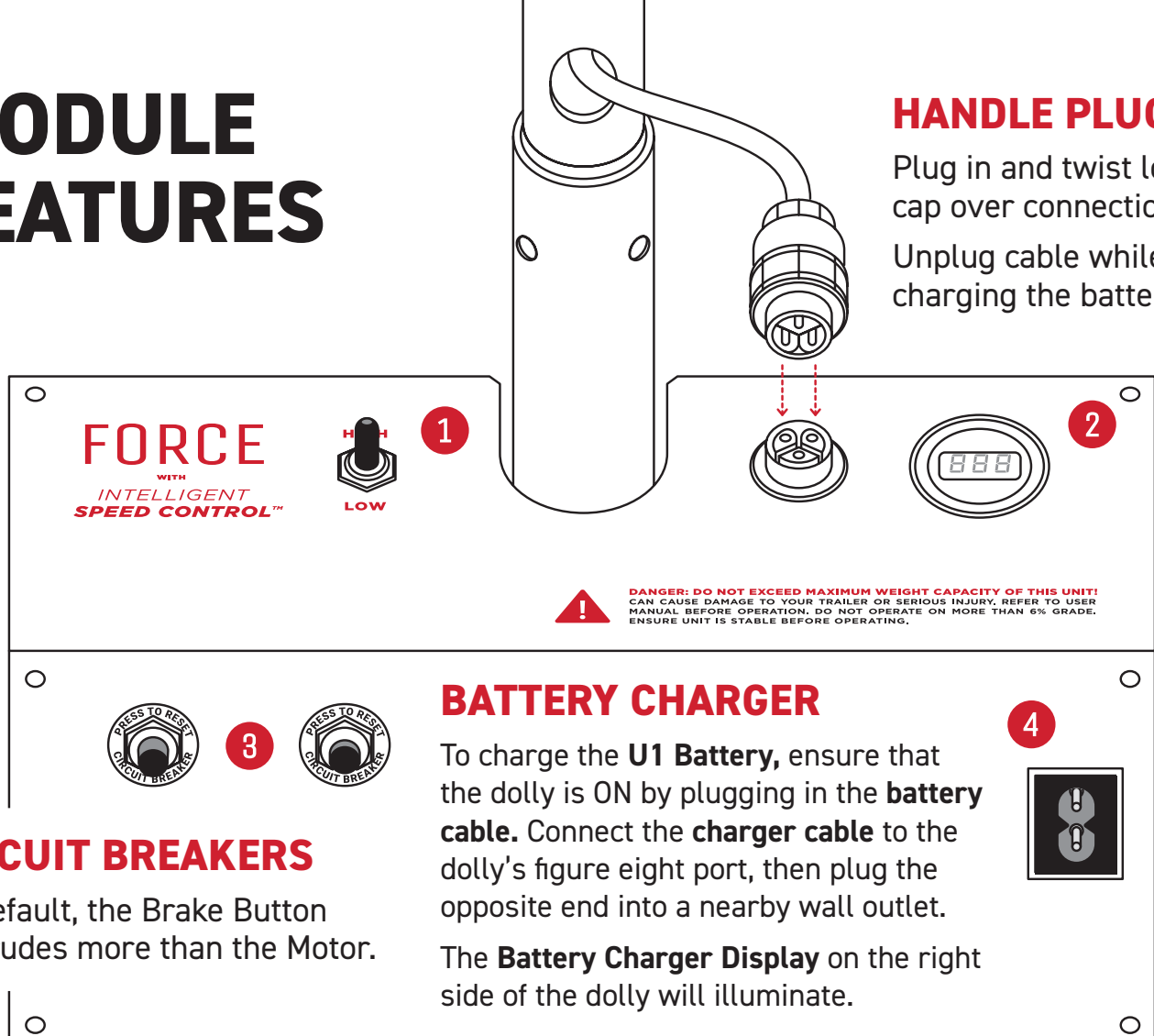
OPTIONAL PARTS

- EZ Connect Adapter
- Telescopic Frame Adapter
- Ball Mount Adapter: 18" or 24"
- Hitch Ball: 1 7/8" or 50mm
- Atwood Hitch Adapter
- Battery Box Kit
- Third Wheel Adapter
- 80" Battery Cable
- Canvas Cover

QUESTIONS?
1-888-926-5517
PARKIT360.CA



MODULE FEATURES



HANDLE PLUG

Plug in and twist locking cap over connection.

Unplug cable while charging the battery.

FORCE
WITH
**INTELLIGENT
SPEED CONTROL™**



1

LOW



2

! DANGER: DO NOT EXCEED MAXIMUM WEIGHT CAPACITY OF THIS UNIT! CAN CAUSE DAMAGE TO YOUR TRAILER OR SERIOUS INJURY. REFER TO USER MANUAL BEFORE OPERATION. DO NOT OPERATE ON MORE THAN 6% GRADE. ENSURE UNIT IS STABLE BEFORE OPERATING.



3



BATTERY CHARGER

To charge the **U1 Battery**, ensure that the dolly is **ON** by plugging in the **battery cable**. Connect the **charger cable** to the dolly's figure eight port, then plug the opposite end into a nearby wall outlet.

4



The **Battery Charger Display** on the right side of the dolly will illuminate.

CIRCUIT BREAKERS

By default, the Brake Button protrudes more than the Motor.

1 ISC CONTROL™

While parking your trailer, switch between High or Low Speed anytime by flipping the toggle switch.

Motor speed starts and stops gradually for better traction and a smoother parking experience.

3 CIRCUIT BREAKERS

Prevents Motor and Smart Brake from overheating.

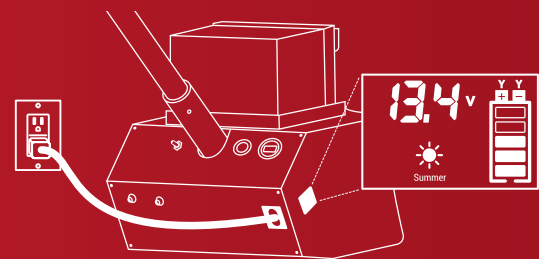
If a breaker trips, the Reset Button will extend up to 1/2" from the panel.

Allow 30 seconds for the system to cool down, then press Reset.

2 VOLT METER

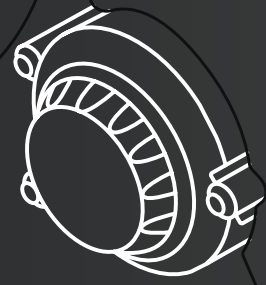
Displays the Battery Voltage while the dolly is in use. Fully charged batteries rest between 12.2 to 13V.

4 BATTERY CHARGER DISPLAY



While charging, this screen displays the **Charging Voltage and Amperage**. Disconnect the charger after an over-night charge to extend battery life.

MOTOR KNOB: SWITCHING GEARS

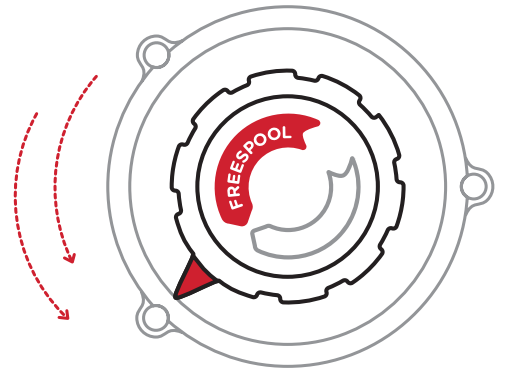


FREEWHEEL/SPOOL

NEUTRAL. MOVE THE DOLLY WITHOUT POWER WHILE IT IS NOT UNDER LOAD.

Turn the knob in the direction of the Freespool arrow until it stops. Freely move the dolly to and from the trailer in this mode.

This mode is intended for transportation only.



DRIVE

ENGAGE THE MOTOR TO CONNECT TO THE TRAILER AND PARK WITH POWER.

Ensure the dolly is in parking position underneath the trailer's coupler.

Turn the knob in the direction of the Engaged arrow until it stops and clicks into position. Rock the dolly back and forth to ensure the motor is engaged.

When pushed manually in this mode, the dolly will only move an inch forwards or backwards before stopping.



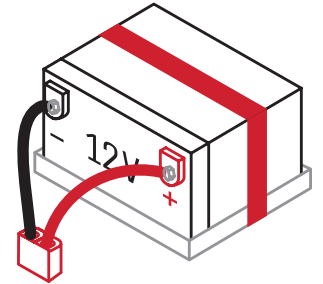
POWER OPTIONS

DOLLY-MOUNTED BATTERY

U1 BATTERY KIT

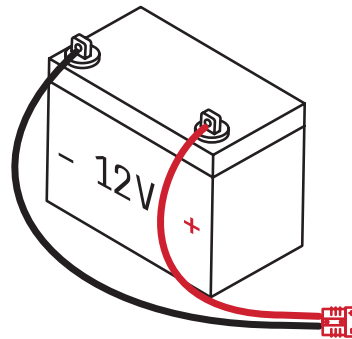
Plug the 6" cable into the dolly to turn it on. Unplug the battery cable to power off the dolly.

**12v U1
SEALED BATTERY**
CONNECT 6"
BATTERY CABLE



BATTERY BOX KIT

Install the Battery Box with the strap provided. Use the 20" Cable to connect to a 12 Volt Group 24 Deep Cycle or Marine Battery.

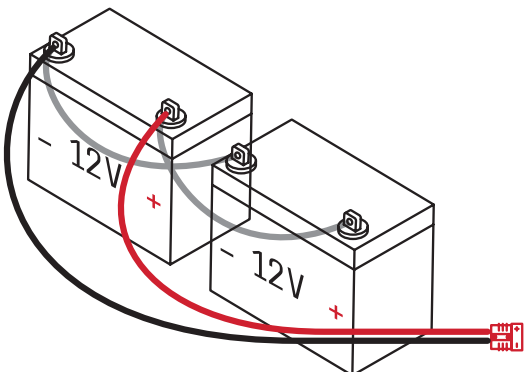


**12v GROUP 24
DEEP CYCLE BATTERY**
CONNECT 20" OR 80"
BATTERY CABLE

TRAILER BATTERY

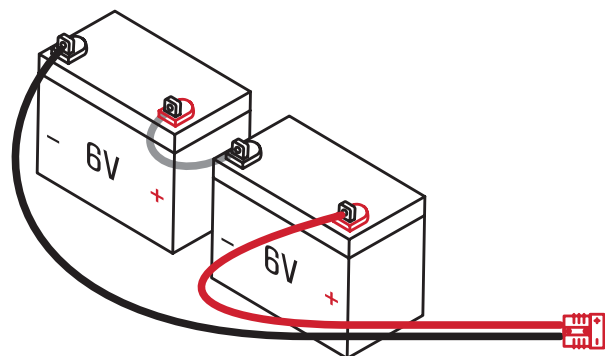
TWO 12v BATTERIES

Connect the 80" cable to either trailer battery:

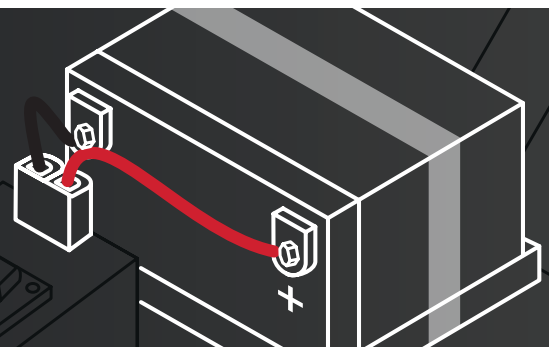


TWO 6v BATTERIES

Connect the 80" cable across both batteries:



PLUG IN TO POWER ON
UNPLUG TO POWER OFF.

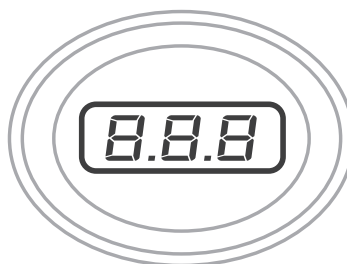


BATTERY VOLTAGE & CHARGING

VOLT METER DISPLAY

Provides real-time **Battery Voltage Measurements** during operation.

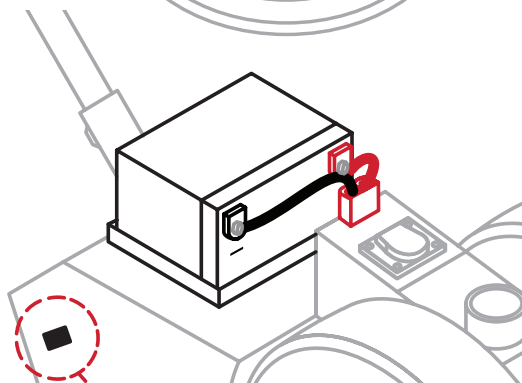
Located on the front panel.



BATTERY INSTALLATION

Ensure battery is installed on its **side**, with the terminals **facing the plug on the dolly**:

All our batteries are Sealed, so there's no risk of leakage in this position!



CHARGER DISPLAY

Shows **Charge Level of Battery** when connected to a 120V power outlet.

While charging, the display alternates between **Charging Amperage** and **Voltage**. The battery graphic shows the % complete:

When charging is complete, **FUL** is displayed and the battery graphic is completely filled:

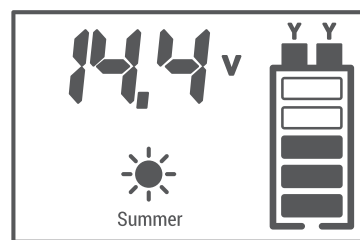
Get an **Error Code?** (ERR)

You may have a loose connection or a faulty battery. Check the terminal and plug connections. If the issue persists, contact us for a replacement.

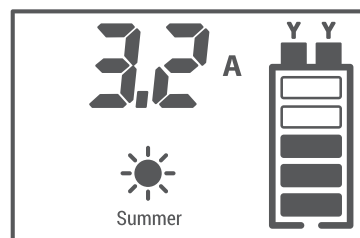
Get a **Repair Icon** or **PUL Code?**

Please contact us for support.

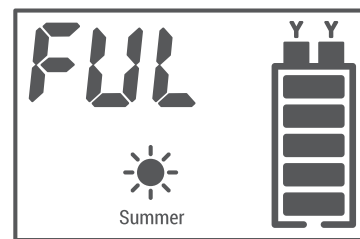
Call Toll-Free: 1-888-926-5517



CHARGING VOLTAGE



CHARGING AMPERAGE



BATTERY FULLY CHARGED



DANGER

DO NOT EXCEED DOLLY'S MAX. WEIGHT CAPACITY

CAN CAUSE DAMAGE TO YOUR TRAILER OR PERSONAL INJURY.

FORCE 5K

5,000 LBS GVWR
900 LBS TONGUE WEIGHT

FORCE 10K

10,000 LBS GVWR
900 LBS TONGUE WEIGHT

TIRE PRESSURE GUIDELINES

REFER TO TIRE SIDEWALLS FOR RECOMMENDED PRESSURE. DO NOT EXCEED THE LISTED MAXIMUM. TO IMPROVE TRACTION, USE LOWER PRESSURE. MINIMUM IS 20 PSI.

RE-TIGHTEN BALL MOUNT BEFORE OPERATION

OPERATING WITH A LOOSE OR UNEVEN CONNECTION CAN CAUSE DAMAGE TO YOUR TRAILER OR PERSONAL INJURY.

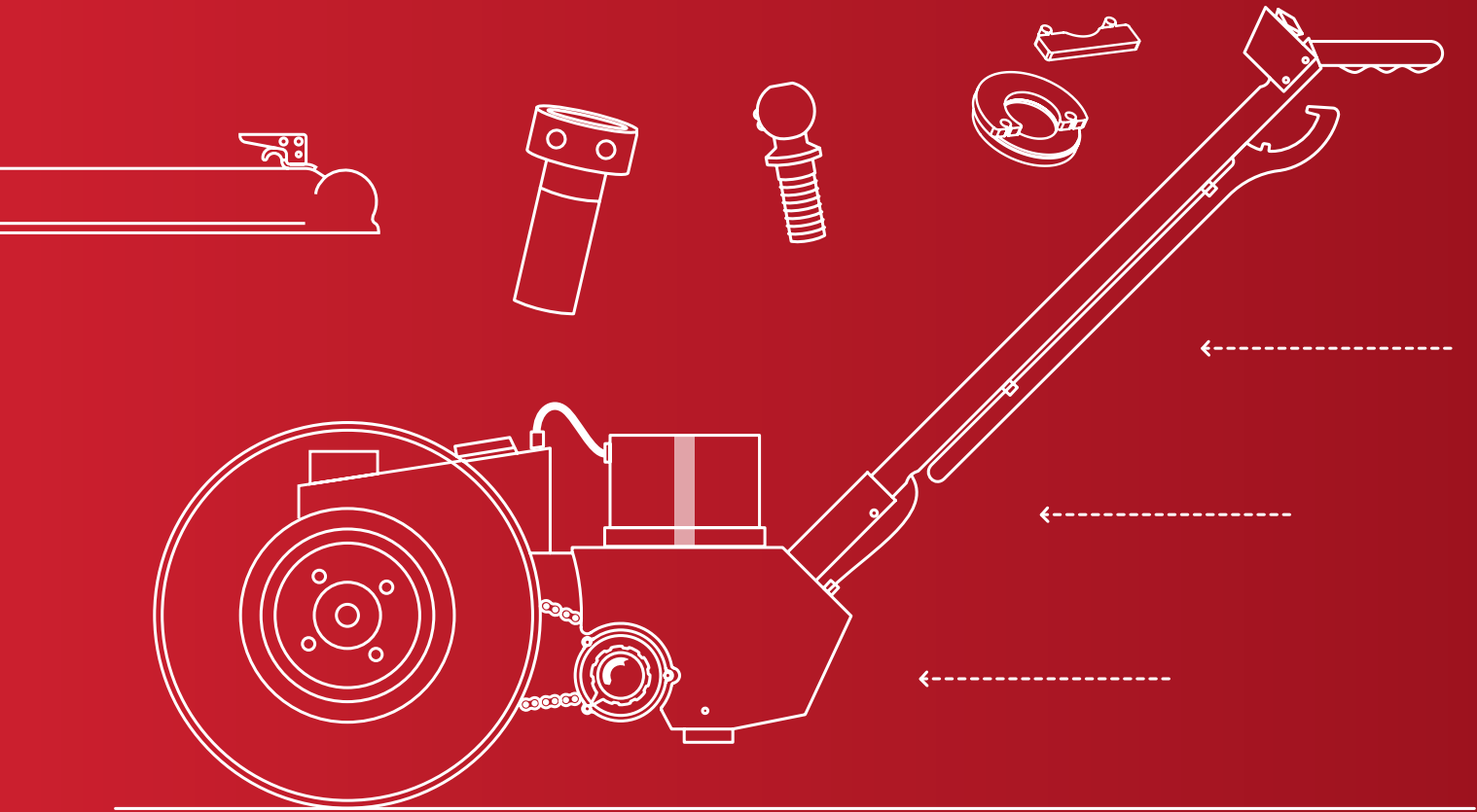
DO NOT OPERATE ON MORE THAN 6% GRADE

RISK OF RUNAWAY TRAILER. DO NOT OPERATE ON STEEP INCLINES.

CONNECTING TO YOUR TRAILER:

BALL MOUNT ADAPTER

While in **Freewheel Mode**, move the dolly and accessories to the trailer.
Select the appropriate **Hitch Ball** size for your coupler,
and install the **Thrust Washer**.



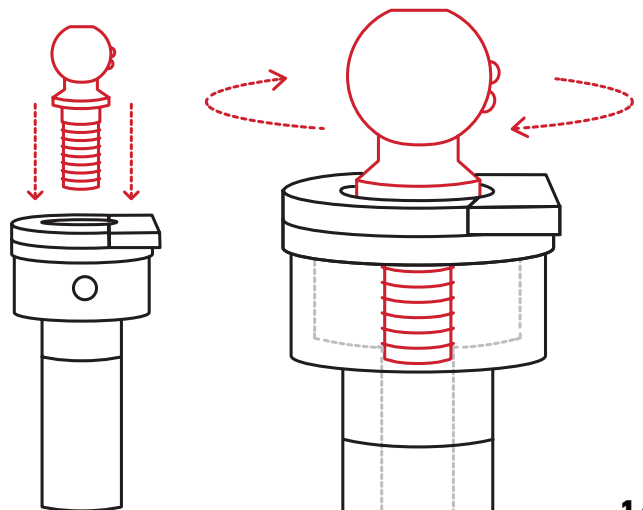
BALL MOUNT ASSEMBLY

HITCH BALL

Thread the appropriate **Hitch Ball** into the Ball Mount with the Thrust Washer in place.

The shoulder of the Hitch Ball should sit slightly above the top of the **Thrust Washer**.

Use of the Thrust Washer is recommended to ensure proper clearance beneath the Hitch Ball for smooth dolly operation.



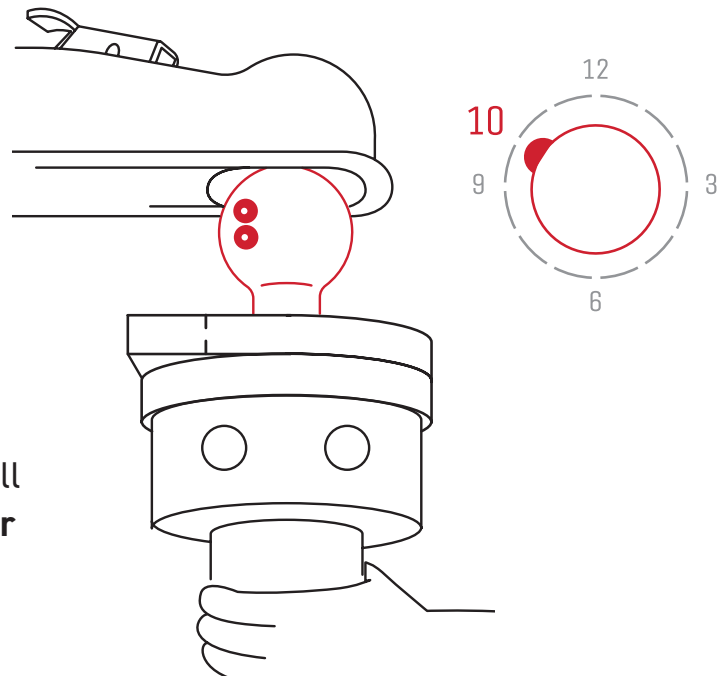
HITCH BALL PLACEMENT

MACHINE SCREWS

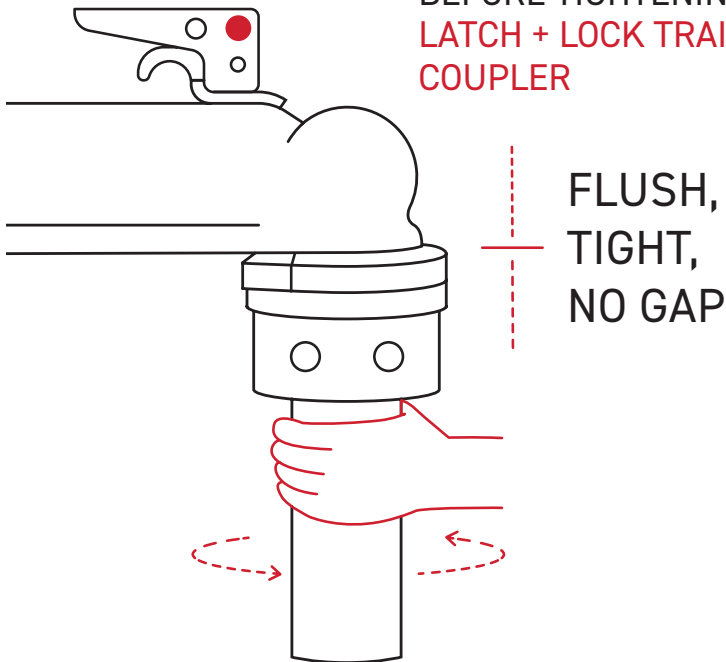
Insert the assembled Ball Mount into the trailer coupler and latch it down.

Make sure the **machine screws** on the hitch ball are pointed towards the **left side of your trailer at 10 o'clock**.

The machine screws can be removed for unique applications.



BEFORE TIGHTENING:
LATCH + LOCK TRAILER
COUPLER



FLUSH,
TIGHT,
NO GAP

COUPLER CONNECTION

Turn the Ball Mount **counterclockwise** until the gap between the Thrust Washer and trailer tongue closes **tightly**. Hold the **Thrust Washer** in place to prevent it from spinning, with the puzzle piece facing the trailer.

With the trailer coupler latched down, insert the **latch pin** to secure it.

Your trailer's Latch and Pin style will vary depending on your coupler:

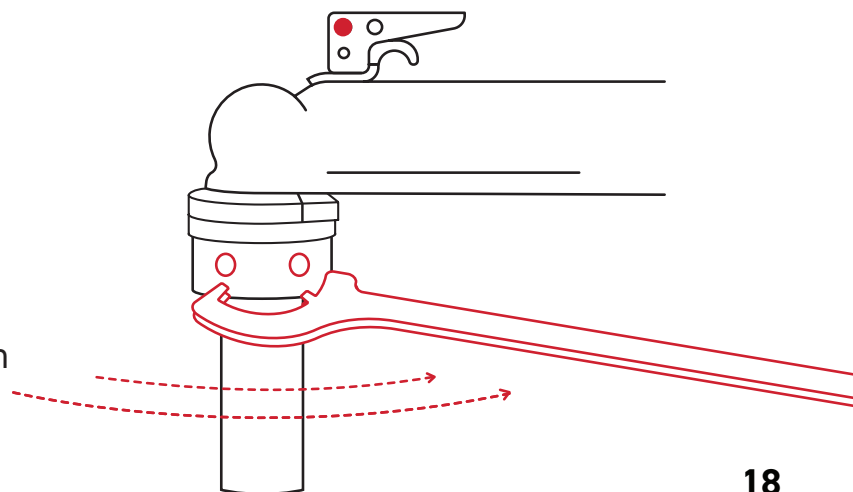


TIGHTEN THE BALL MOUNT

TIGHTENING WRENCH

Once the Ball Mount is secure, use the **Tightening Wrench** to ensure the connection is **as tight as possible!**

This will take a few rotations.



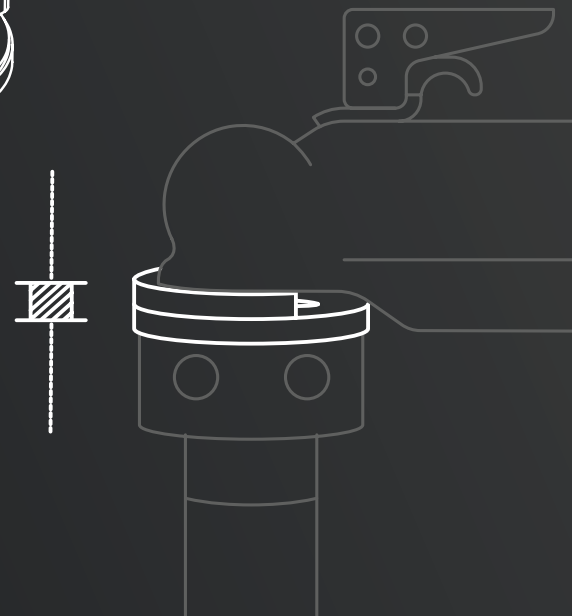
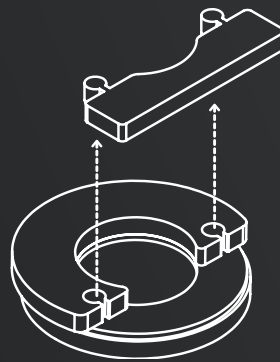
UNEVEN CONNECTION?

THRUST WASHER WITHOUT PUZZLE PIECE

Have an obstruction preventing
a flat connection?

Remove the **Puzzle Piece** from the
Thrust Washer with the **open section**
facing the trailer.

*While hand-tightening the Ball Mount, hold
the Thrust Washer in place to prevent
it from spinning.*

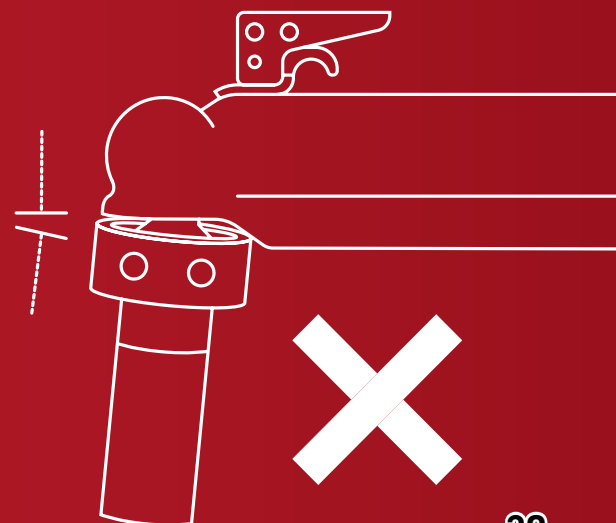


STILL HAVING TROUBLE?

SEE ALTERNATIVE CONNECTIONS (PAGE 28)

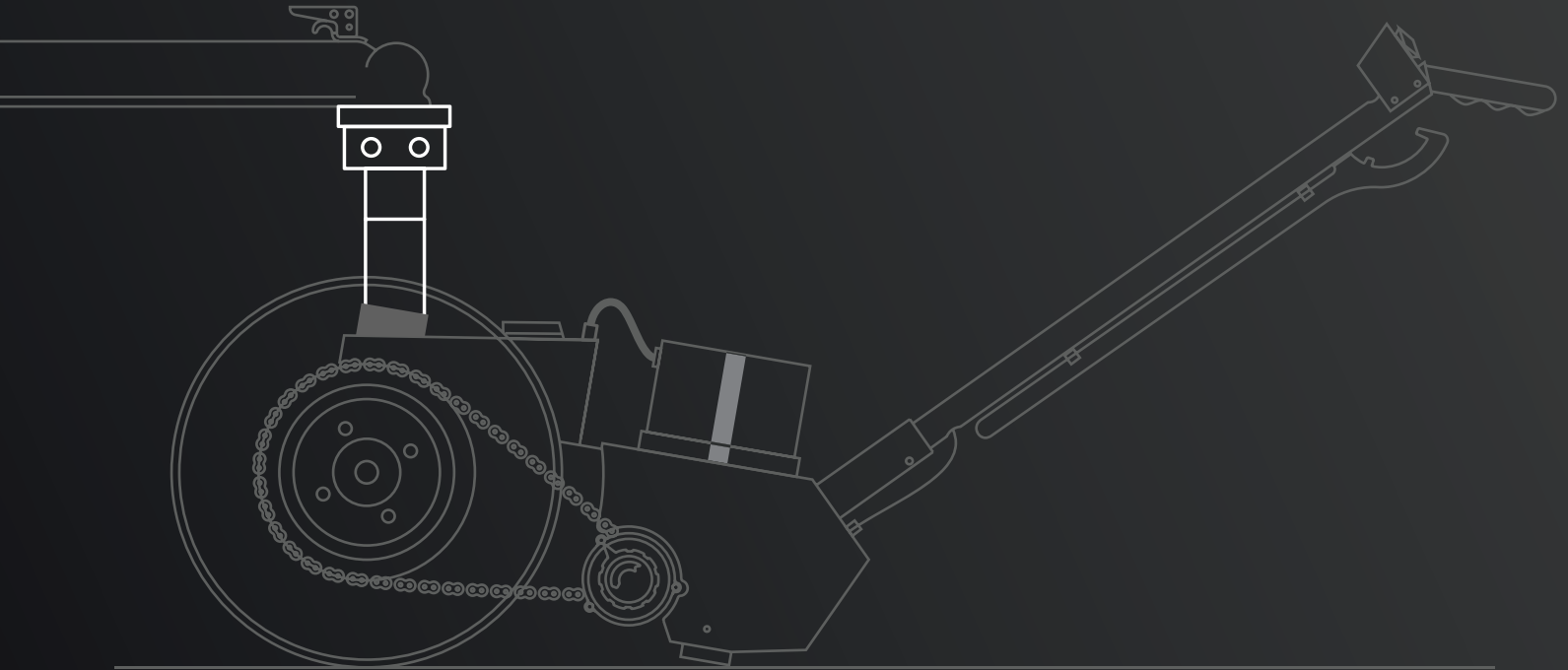
DANGER

**OPERATING WITH A LOOSE OR UNEVEN
CONNECTION CAN CAUSE DAMAGE TO
YOUR TRAILER OR PERSONAL INJURY.**



ALIGN THE DOLLY

Wheel the dolly underneath the **Ball Mount**. Lower the trailer to drop the **Ball Mount** into the **Receiver Tube** until there is no gap.



ENGAGE MOTOR INTO DRIVE

CONNECT BATTERY

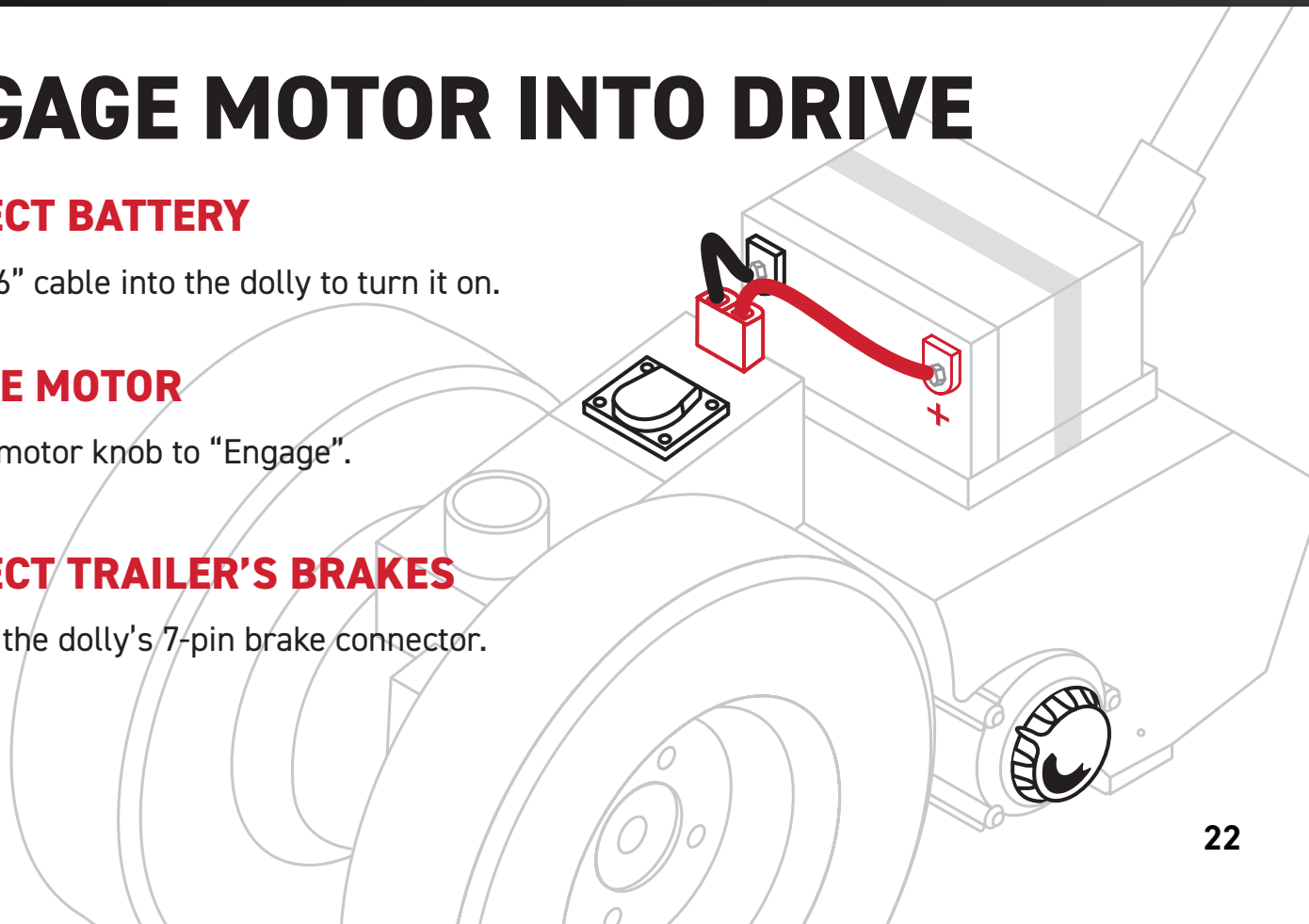
Plug the 6" cable into the dolly to turn it on.

ENGAGE MOTOR

Turn the motor knob to "Engage".

CONNECT TRAILER'S BRAKES

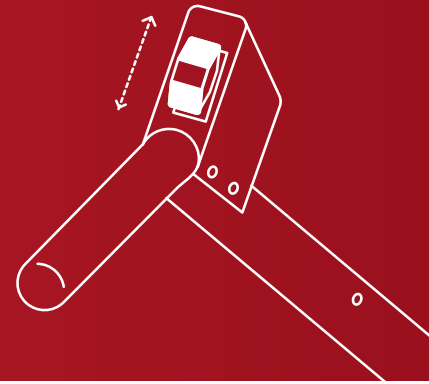
Plug into the dolly's 7-pin brake connector.



PARKING YOUR TRAILER

Use the **Forward** and **Reverse** Toggle Switch to steer into tight spaces that are nearly impossible for vehicles.

Switch between **High** or **Low Speed** anytime using the **Intelligent Speed Control** switch.



DISCONNECTING FROM TRAILER COUPLER

Chock Trailer Wheels to prevent a runaway trailer. **Raise the Trailer** to withdraw the **Ball Mount**, then switch the dolly to **Freewheel Mode**, and **Unplug the Battery Cable** from the dolly.

The Ball Mount should be removed from your trailer coupler when not in use.

STORAGE & MAINTENANCE

Freewheel the dolly to desired storage area, preferably under cover. Top up the tire pressure to the maximum PSI indicated on the dolly's tire sidewall, as needed.

Charging the Battery: Fully charge the battery every 2-3 months. While in storage, disconnect the battery and handle cable from the dolly to prevent battery drain.

Grease the Receiver Tube and **Lubricate the Chain** with **Chain Lube**.

Can be done annually, or more often if used more frequently. Apply a generous portion of **All-Purpose Grease** along the top surface of the **Ball Mount Collar** as needed, and the **Hitch Ball Threads** to prevent seizing.

CALL TOLL-FREE:

1-888-926-5517
sales@parkit360.com

OFFICE HOURS:

WEEKDAYS 8:30AM-5PM EST
support@parkit360.com

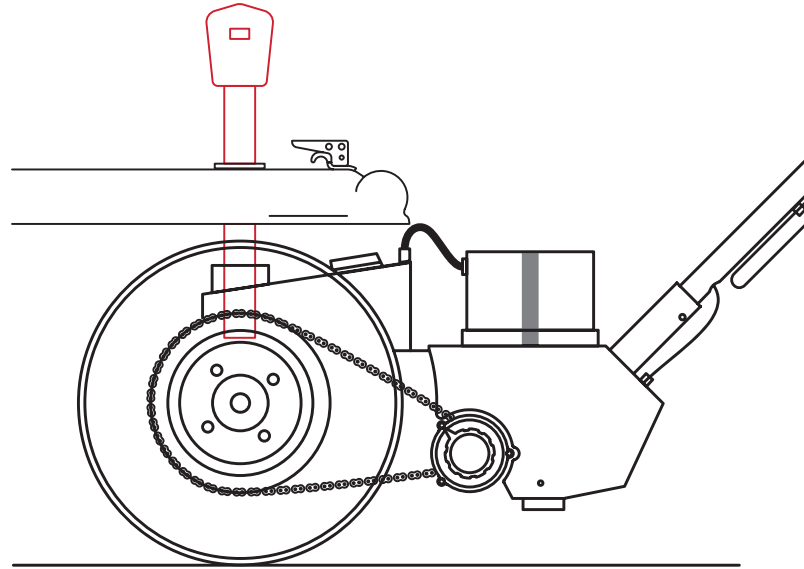
ALTERNATIVE CONNECTIONS

WARNING: NEVER EXCEED THE DOLLY'S MAX WEIGHT RATING.

TRAILER JACK POST

Remove the **Ball Mount Adapter**. Lower the trailer jack into the dolly's **Receiver Tube**, following the standard connection process.

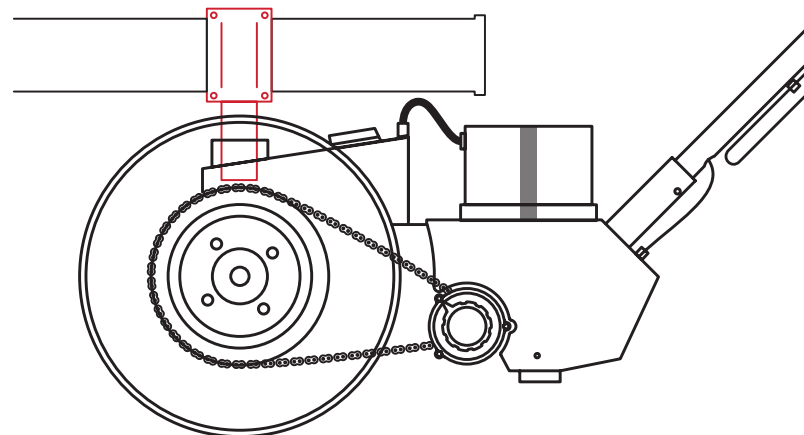
The trailer should rest as close to the dolly's tires as possible to reduce strain on the jack shaft.



TELESCOPIC FRAME ADAPTER

Remove the **Ball Mount Adapter**. **Attach the Telescopic Adapter to the Y section of the trailer frame.**

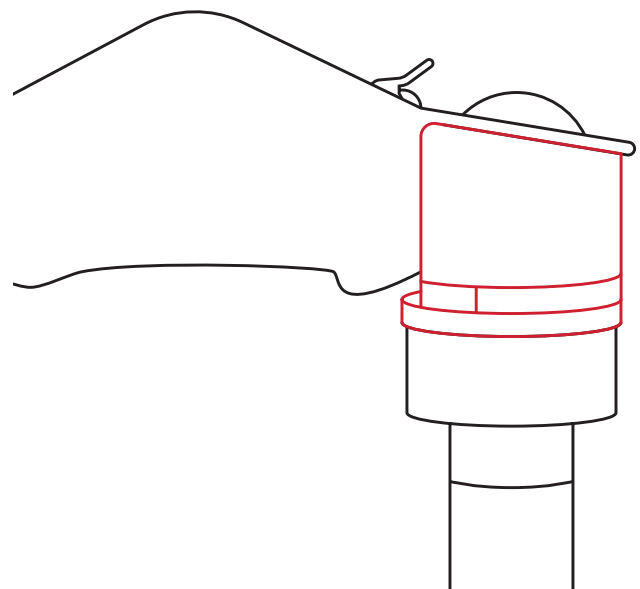
Lower the Telescopic Pipe into the dolly, following the standard connection process. Secure with the adapter's locking pin.



THRUST WASHER: ATWOOD HITCH ADAPTER (FOR UNDERSLUNG COUPLERS)

With the **Thrust Washer** base on the **Ball Mount**, interlock the **Atwood Adapter** piece.

Thread the **Hitch Ball** and tighten as normal. Hold the adapter in place to prevent it from spinning.



ALTERNATIVE CONNECTIONS VIDEO TUTORIALS



TELESCOPIC FRAME ADAPTER VIDEO

WATCH ON YOUTUBE @PARKIT360



TRAILER JACK POST CONNECTION VIDEO

WATCH ON YOUTUBE @PARKIT360

Order #: _____

Serial #: _____

Date Delivered: _____

Notes: _____

CALL TOLL-FREE:

1-888-926-5517
sales@parkit360.com

OFFICE HOURS:

WEEKDAYS 8:30AM-5PM EST
support@parkit360.com

2 YEAR PARTS & REPAIR WARRANTY

Your Parkit360 Force Trailer Dolly is covered by a 2-Year Warranty from the original date of purchase. If a defect or part failure occurs during this period, contact us with your original sales receipt number and details of the issue. Our technical team will assist in troubleshooting remotely where possible.

If the issue is determined to be caused by defective parts, we will provide replacement parts at no cost, excluding shipping. Repairs are covered by a 3-month warranty, beginning 7 days from the date of shipment. This Repair Warranty expires at the end of the 3-month period or with the original 2-Year Warranty, whichever is later.

If the 2-Year Warranty has expired or you are not the original owner, replacement parts and shipping costs will be your responsibility. These parts are covered by a 3-month warranty against manufacturing defects only and do not cover damage due to shipping, improper use, or installation.

Contact our Sales & Service Team or visit: <https://parkit360.ca/pages/warranty> for more information.

30 DAY RETURN POLICY

If a material defect is found or if the Parkit360 Force dolly has failed to perform to your expectations, please refer to our Return Policy at: <https://parkit360.ca/pages/return-policy> and reach out to our Sales Team if you have any questions.

Purchases made through one of our registered dealers will be subject to the dealer's Return Policy.

EXCLUSIONS AND LIMITATIONS

The 2-Year Warranty and 30 Day Return Policy do not cover:

- Normal wear and tear of the Parkit360 from use
- Customer neglect and improper use or storage of the Parkit360 unit
- Exceeding the unit's load capacity / not using the dolly for its intended purpose
- Units that have been modified, or if the serial number has been altered or removed
- *12V U1 Batteries are covered separately by an **Interstate® 1 Year Warranty**. Find a service location near you: interstatebatteries.com/location-finder*

Read full terms at Parkit360.ca



DANGER

**DO NOT EXCEED DOLLY'S
MAX. WEIGHT CAPACITY**

**RE-TIGHTEN BALL MOUNT
BEFORE OPERATION**

**DO NOT OPERATE ON
MORE THAN A 6% GRADE**



Parkit360°

PARKIT360 INC.

130 Industrial Ave, Unit 600

Carleton Place, ON K7C 3T2 Canada

1-888-926-5517 or Parkit360.ca