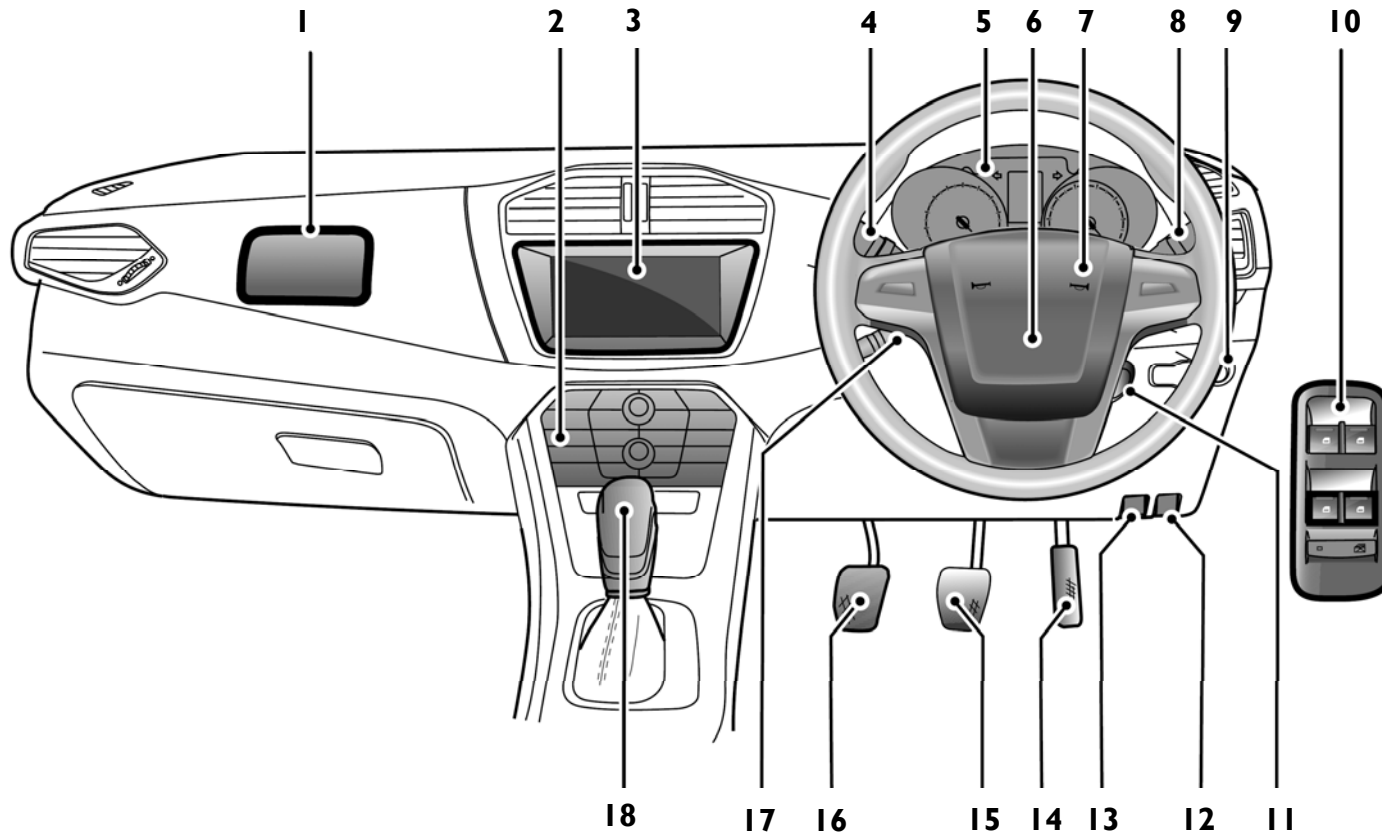


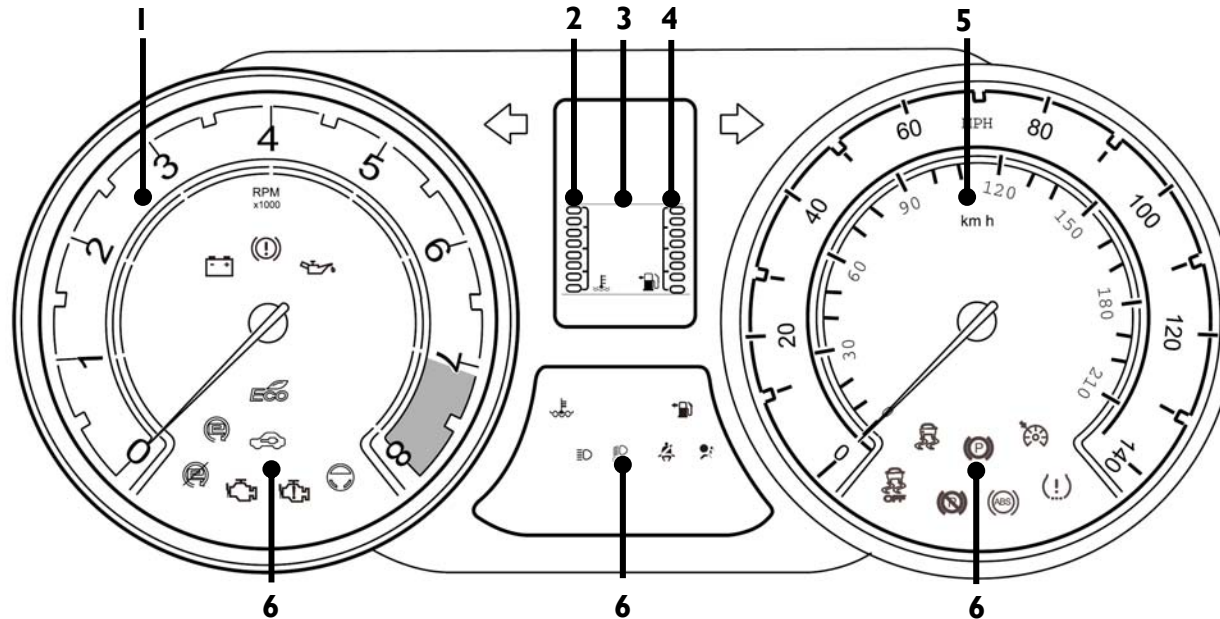
Interior Layout



Interior Layout

1. Passenger Airbag
2. Human Machine Interface - HMI (ICE& A/C)
3. On Board Entertainment System
4. Direction Indicators/Main Beam Lever
5. Instrument Pack
6. Driver Airbag
7. Horn
8. Wiper/Washer Controls
9. Master Lighting Switch & Mirror Adjustment
10. Window Controls
11. Ignition Switch
12. Fuel Filler Release
13. Bonnet Release
14. Accelerator Pedal
15. Brake Pedal
16. Clutch Pedal
17. Cruise Control and Automatic Speed Limiter Switch
18. Gear Shift Lever

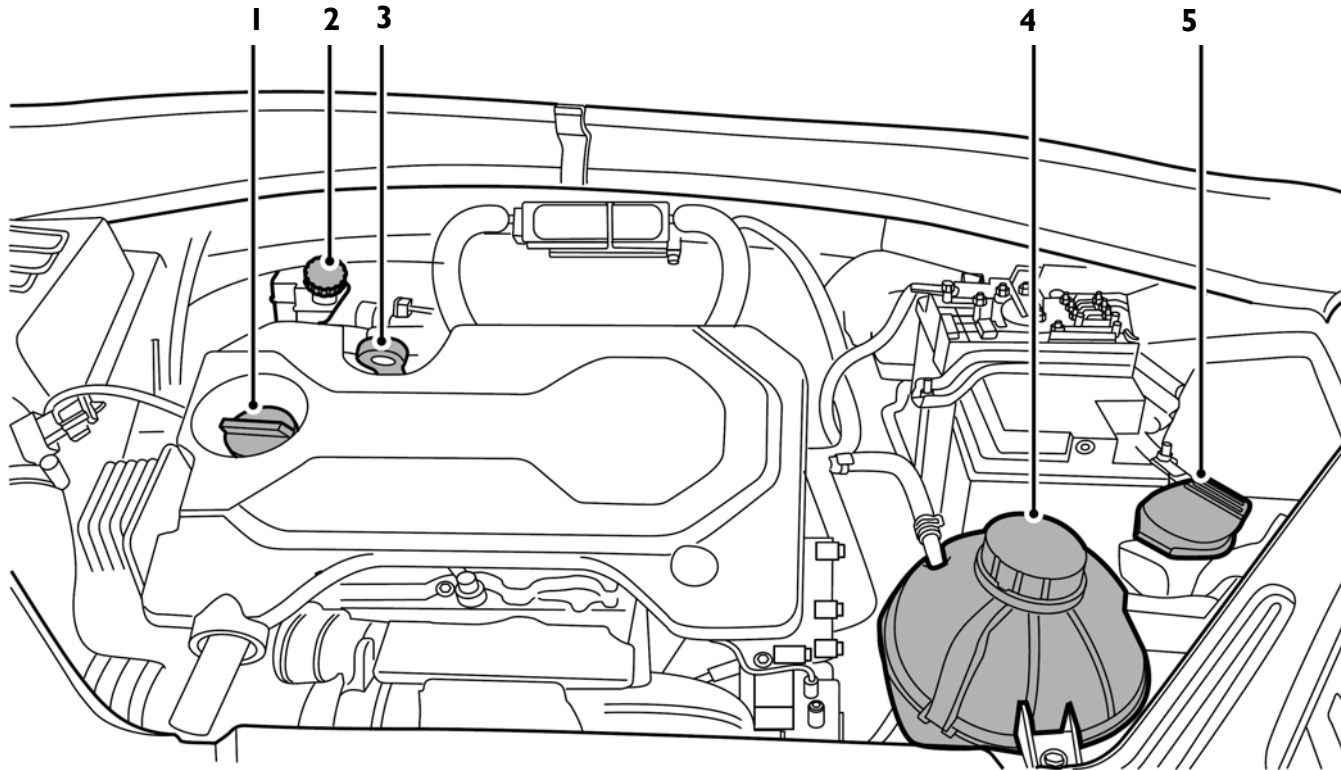
Instrument Pack



1. Tachometer - Indicates engine speed in revolutions per minute x 1000
2. Engine Temperature Gauge - Engine temperature is indicated by the number and colour of segments illuminated.
3. Information Centre Display - Warnings, trip computer and driver information is communicated via this display.
4. Fuel Gauge - The quantity of fuel in the tank is indicated by the number of segments illuminated.
5. Speedometer - Indicates road speed in miles and kilometres per hour
6. Warning Lamp Displays

Please consult Owners Handbook for detailed warning light description and function

Underbonnet Locations



1. Oil filler cap (black cap)
2. Brake fluid reservoir (yellow cap)
3. Oil dipstick (yellow)
4. Coolant reservoir (black cap)
5. Washer fluid reservoir (blue cap)

Recommended Fluids, Capacities and Pressures

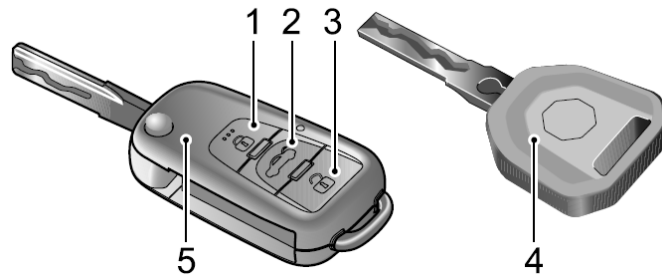
Engine Oil	C3 5W-30	5.0 Litres
Engine Coolant	Glycol (OAT)	7.1 Litres
Transmission Fluid - Manual	MTF 94	2.2 Litres
Transmission Fluid - DCT250	Dexron DCT Fluid	2.45 Litres
Brake Fluid	DOT 4	0.8 Litres
Washer Fluid	Qx35	5 Litres
Air Conditioning Refrigerant, g	R1234yf	560±20
Air Conditioning Oil, ml	PS R1	130 +/- 10
Fuel Tank		55 Litres

Tyre Pressures (cold)

Front	2.3 bar (34 psi)
Rear	2.3 bar (34 psi)

NOTE: For increased ride comfort on the rear axle, the rear tyre pressure may be reduced to 2.0 bar (29 psi) for all loading conditions.

Remote Key, Ignition Switch and Starting



1. Tailgate release button
2. Lock button
3. Unlock button
4. Mechanical Key
5. Remote Key

Position 0 (LOCK)

- Insert or remove handset/key.
- Rotate steering wheel to activate lock.

Position 1 (ACC)

- Stop the engine, the handset can not be pulled out.
- Limited electrical equipment operation (wipers etc).

Position 2 (ON)

- All electrical equipment operation.
- Engine run after starting

Position 3 (START)

- Start the engine.
- Release the handset immediately after the engine is started, the ignition switch will return to position

Please consult Owners Handbook for detailed starting description and function

Electronic Parking Brake

Applying the Electronic Parking Brake

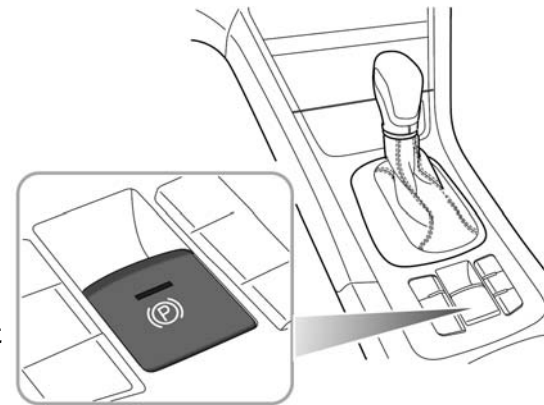
Whilst the vehicle is stationary, the EPB can be applied with the ignition key removed or in any position.

Ensure the EPB is applied every time the vehicle is left or parked.

Pull the EPB switch upward until the indicator within the EPB switch illuminates.

Simultaneously, the EPB indicator will illuminate in the instrument pack. When both lamps are illuminated it indicates that the EPB is applied.

If the EPB failure warning lamp in the instrument pack illuminates, a fault has been detected. Contact an MG Authorised Repairer immediately.



Releasing the Electronic Parking Brake

With the ignition in position II (2), press the brake pedal and press the EPB switch.

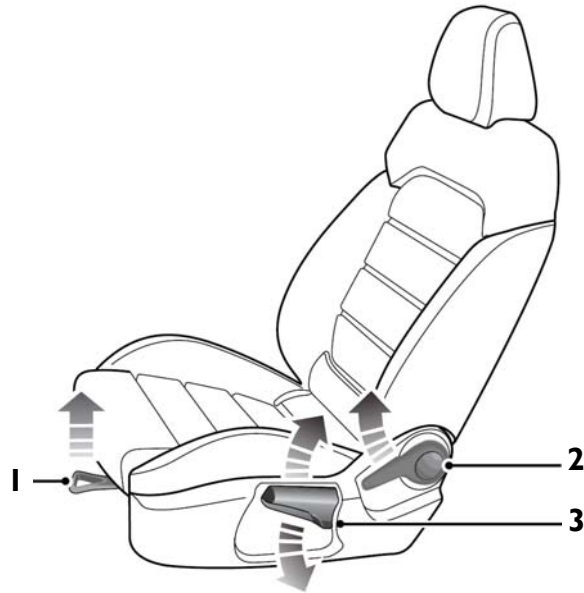
If the EPB warning lamps in the switch and the instrument pack are extinguished, the EPB is switched off (released).

The EPB can predict the driver's intention and automatically release the EPB.

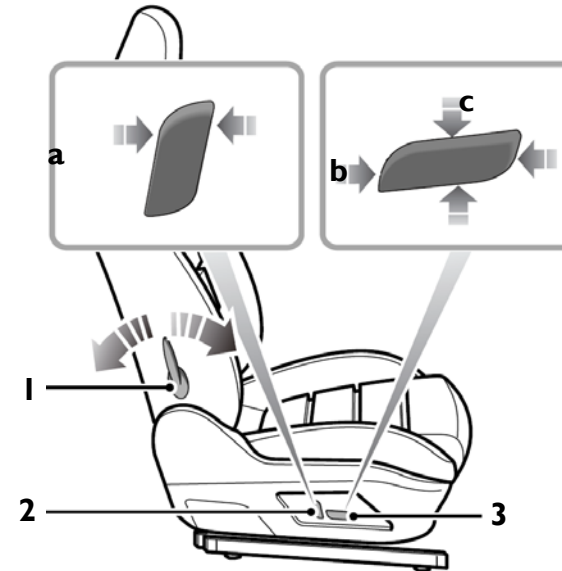
If the driver's seat belt is fastened, clutch pedal fully pressed, forward or reverse gear selected and the clutch pedal lifted whilst pressing the accelerator the EPB will automatically release.

Please consult Owners Handbook for detailed Electronic Parking Brake description and function

Seat Adjustment



1. **Forward/Rearward Adjustment**
Lift the lever and slide the seat into position. Ensure the seat is locked in position before driving.
2. **Seat Cushion Height (Driver's seat only)***
Pull the lever upwards with a pumping action to raise the seat as required. Press down on the lever with a pumping action to lower the seat.
3. **Backrest Adjustment**
Lift the lever and allow the seat to move, tilt the backrest to the desired position.



1. **Lumbar Support Adjustment**
Move the lever to adjust the firmness of the lumbar
2. **Backrest Adjustment**
Move the switch (a) forward/backward to adjust the backrest until it reaches the desired angle.
3. **Forward/Rearward Adjustment**
Push the switch forward or backward (b) to move the seat forward/backward.
3. **Cushion Height**
Pull the switch upward or push downward (c) to raise or lower the seat cushion.