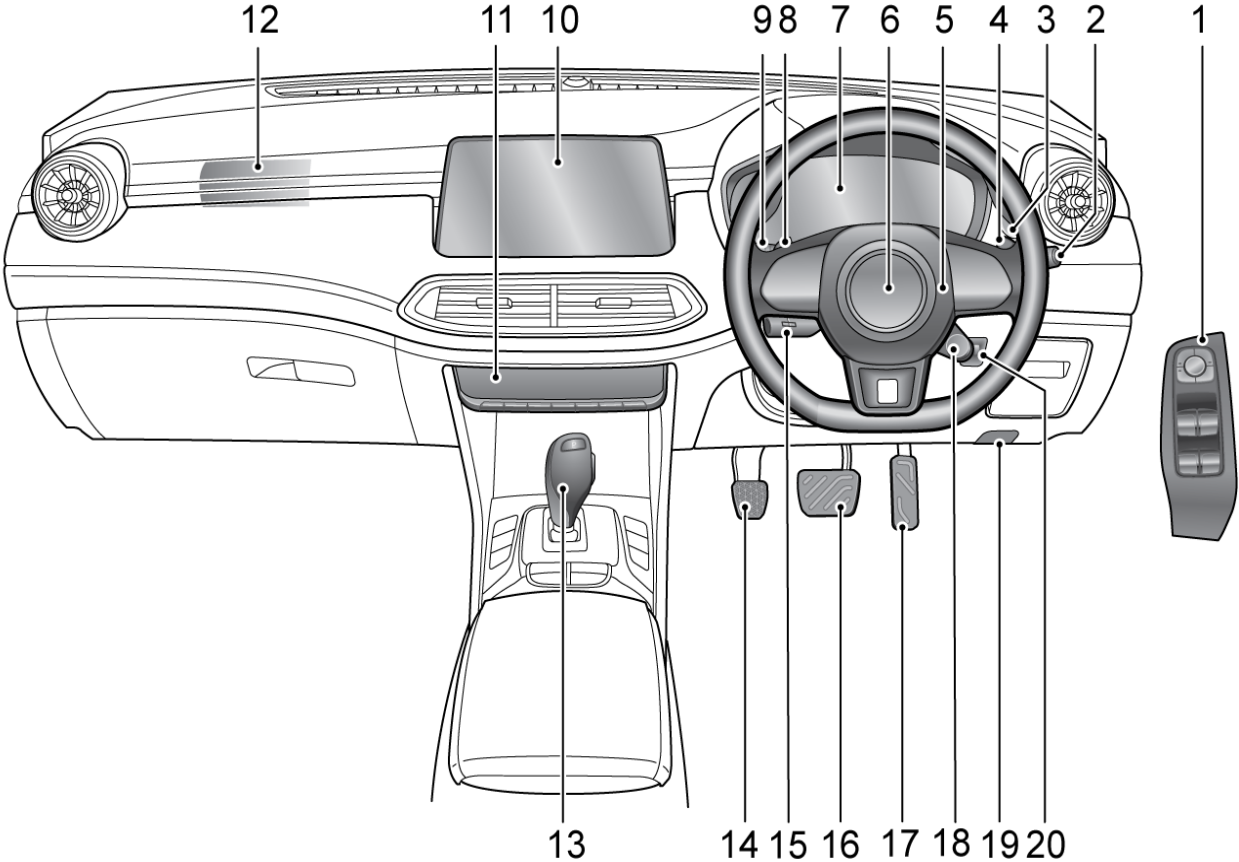


Interior Layout

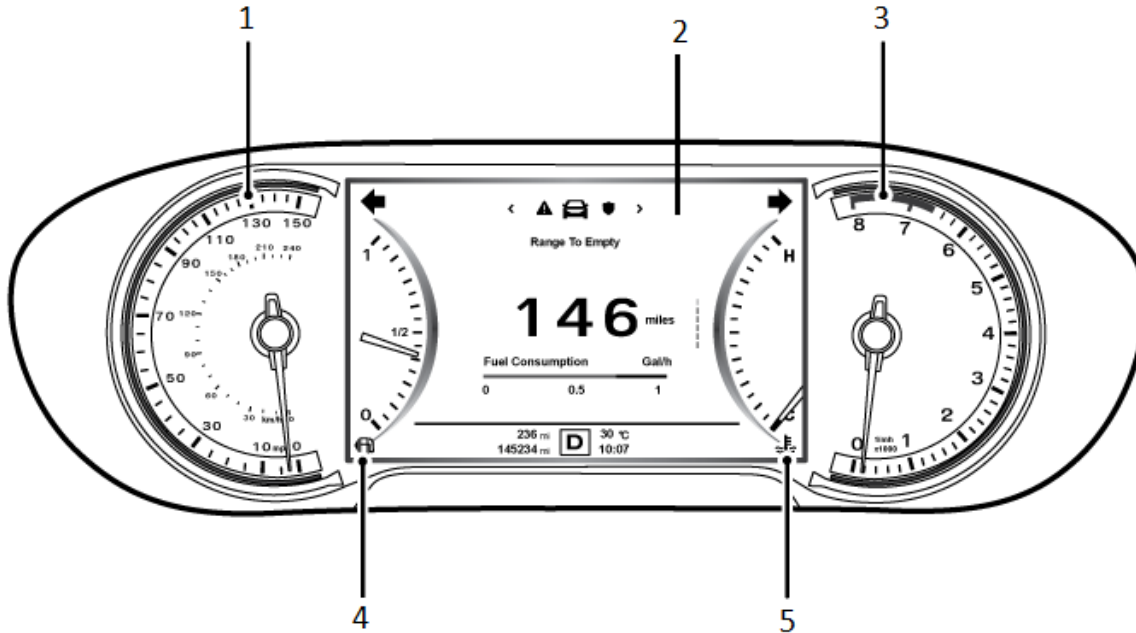


Interior Layout

1	Exterior Door Mirrors and Power Window Switch	11	Infotainment and Heater Controls
2	Wiper/Washer Control	12	Front Passenger Airbag
3	Ignition Button	13	Gear Shift Lever
4	Gear Paddle + *	14	Clutch Pedal *
5	Horn Button	15	Cruise Control Switch *
6	Drivers Airbag	16	Brake Pedal
7	Instrument Pack	17	Accelerator Pedal
8	Gear Paddle - *	18	Super Sport Button *
9	Indicator and Main Beam Stalk Switch	19	Bonnet Release
10	Onboard Infotainment System	20	Headlamp Levelling Adjustment Switch

* Trim level or model dependant

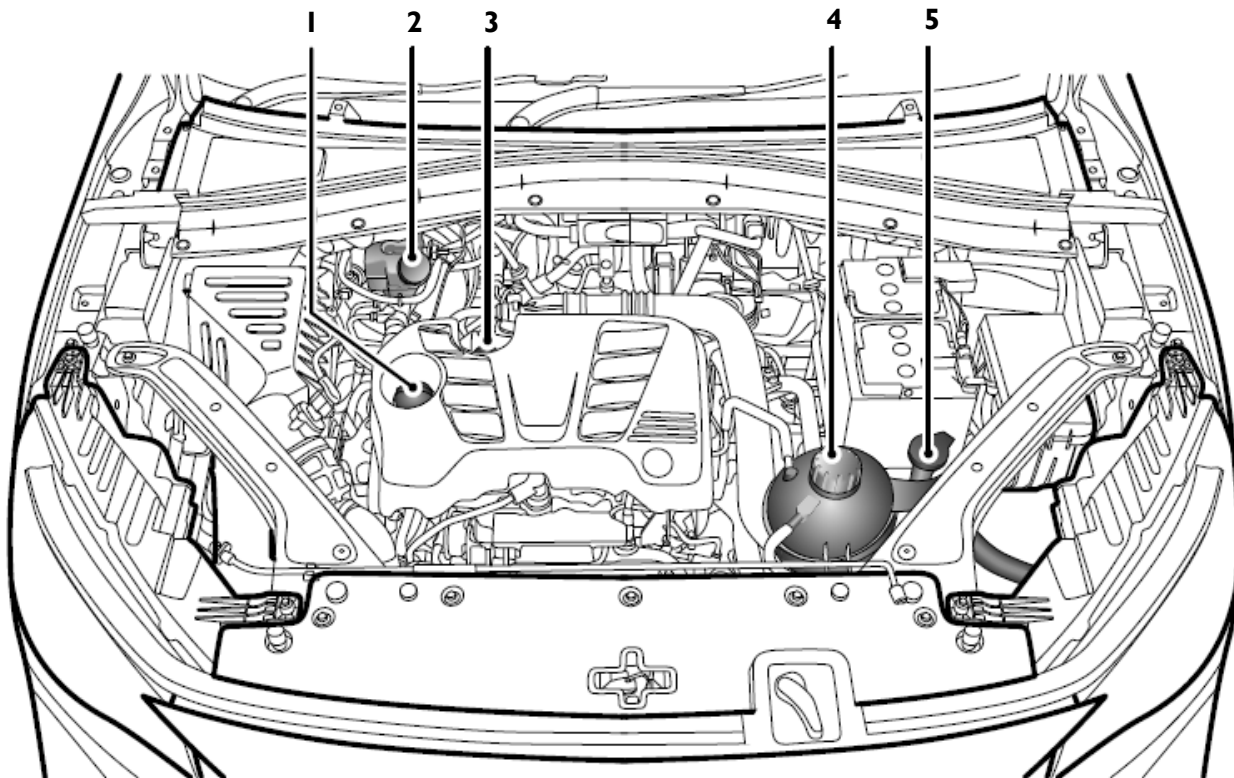
Instrument Pack



1. Speedometer - Indicates road speed in miles and kilometres per hour.
2. Information Centre Display - Warnings, trip computer & driver information is communicated via this display.
3. Tachometer - Indicates engine speed in revolutions per minute x 1000.
4. Fuel Gauge - The quantity of fuel in the tank is indicated by the position of the needle.
5. Temperature Gauge - The temperature of the engine is indicated by the position of the needle.

Please consult Owners Handbook for detailed warning light description and function

Underbonnet Locations



1. Engine oil filler cap (Black cap)
2. Brake fluid reservoir (Yellow cap)

3. Engine oil dipstick (Yellow cap)
4. Coolant reservoir (Black cap)
5. Washer fluid reservoir (Blue cap)

Recommended Fluids, Capacities and Pressures

Engine Oil	C5 0W-20	4.0 Litres
Engine Coolant	Glycol (OAT)	5.8 Litres
Transmission Fluid - Auto	DEXRON DCT Fluid	2.45 Litres
Transmission Fluid - Manual	MTF 94	2.2 Litres
Brake Fluid	DOT 4	1.0 Litres
Washer Fluid	ZY-VIII	2.5 Litres
Air Conditioning Refrigerant, g	R1234yf	560 +/- 20
Air Conditioning Oil, ml	SP-A2	70+/- 10
Fuel Tank		55 Litres

Tyre Pressures (cold and unladen)

Front	17"	2.5 bar (37 psi)	18"	2.5 bar (37 psi)
Rear	17"	2.1 bar (31 psi)	18"	2.1 bar (31 psi)

Remote Key, Ignition Switch and Starting

Indicator Off (OFF)

- If the button has not been operated and there are no indicators illuminated, the power system is OFF.
The power seats and electric door mirrors remain operational.

Yellow Light (ACC)

- Pressing the START STOP button without the footbrake being applied whilst the vehicle ignition is OFF will place the system in the ACC state, this will illuminate the yellow indicator in the switch button. The ACC position allows operation of certain ancillaries such as power windows.

Green Light (ON/RUN/START)

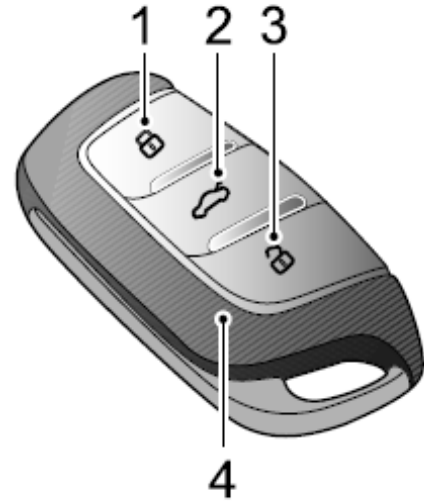
- Whilst in the ACC state, pressing the START STOP button without the footbrake being applied will switch the ignition ON, the green indicator will illuminate. This will allow the remaining electrical systems to operate.
- Pressing the START STOP button with P/N selected and the footbrake/Clutch pedal applied will start the engine.



Please consult Owners Handbook for detailed starting description and function

Locking and Unlocking

1. Lock button
2. Tailgate release button
3. Unlock button
4. Remote Key



When the anti-theft alarm system is not armed or in operation, pressing the remote buttons will activate the following functions.

- (1) To lock all doors; press the lock switch (1)
- (2) To open the tail gate; press and hold tail gate switch (2)
- (3) To unlock all doors; press the unlock switch (3)

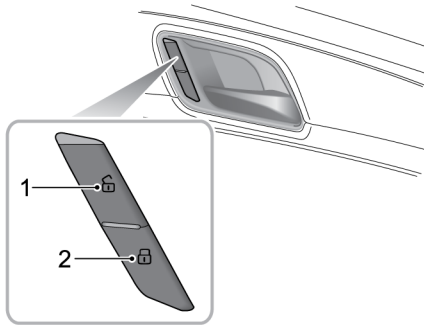
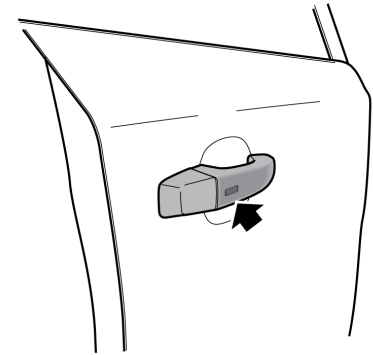
Note: *If the anti-theft alarm system is switched on, pressing and holding the lock/unlock button will not lock/unlock the doors but will sound the alarm system.*

Locking and Unlocking

Keyless Locking

Upon exiting the vehicle, press the button on the front door handle once (no need to press the lock button on the key) to lock all doors before walking away from the car, the vehicle will enter the immobilised/alarm armed state.

Note: With the vehicle in locked state, pressing the button on the front door handle, and performing no other operations within 30 seconds, automatically relocks the car.



When the anti-theft alarm system is not armed or in operation, pressing the master lock switch

- (1) To Unlock all doors.
- (2) To Lock all doors.