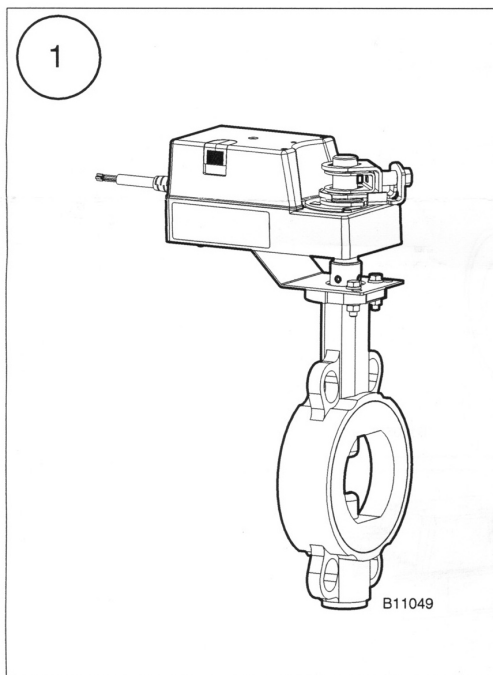
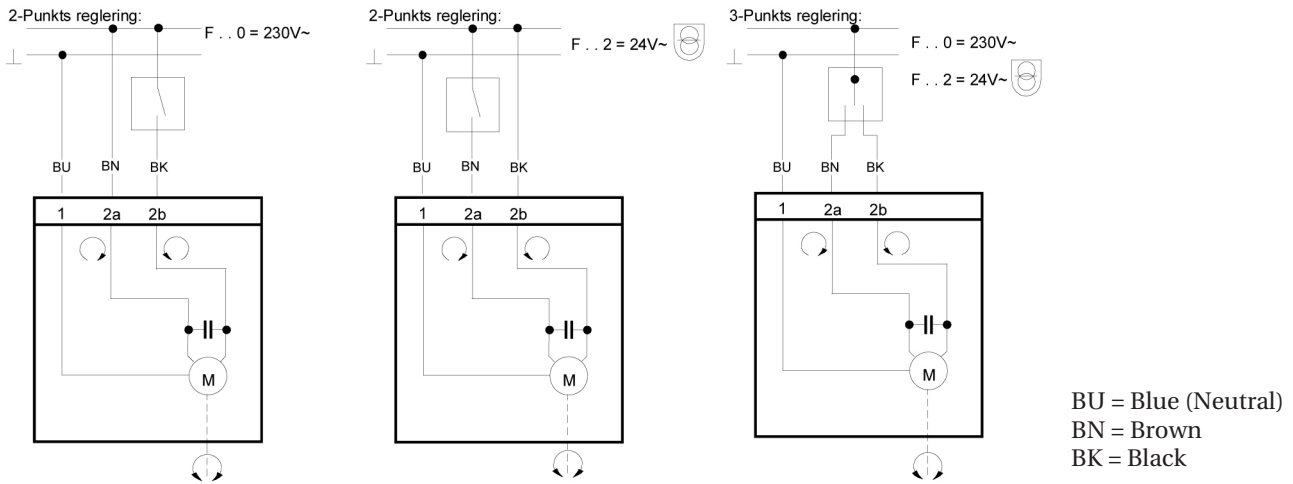


Installation



The butterfly valve is installed by clamping and then screw-mounting the unit between two flanges the butterfly must be opened at least 10% during installation. Flow admission is possible from either side. Do not use any extra gaskets. Do not mount the butterfly valve with the actuator below the horizontal line (see picture 2). In the event of a power-loss the actuator can be manually manouvered (see picture 3).

