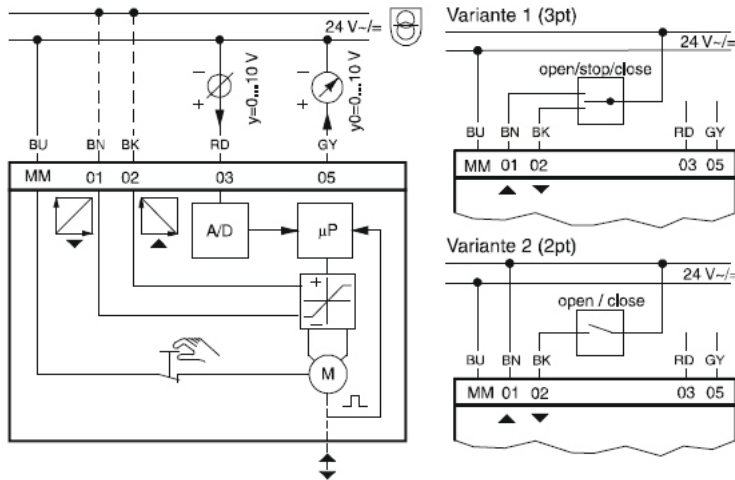
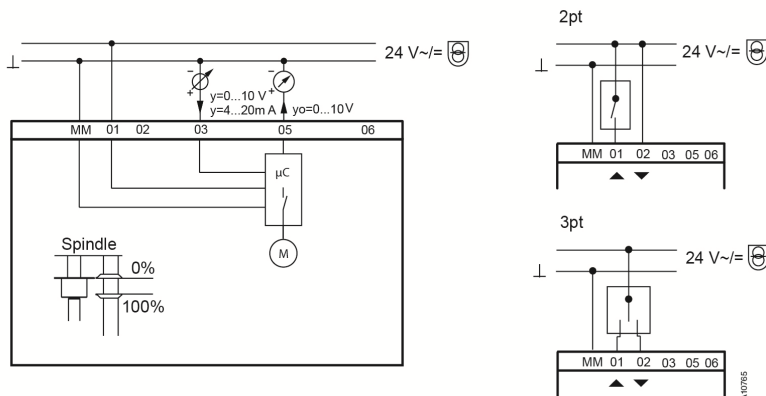


Electrical wiring AVM 115S



MM = Neutral
 01 = 0...10 V control, 24V supply
 02 = 10...0 V control, 24V supply
 03 = 0...10 V signal
 04 = 4...20 mA signal
 05 = Feedback

Electrical wiring AVM 321S / AVM322S



MM = Neutral
 01 = 0...10 V control, 24V supply
 02 = 10...0 V control, 24V supply
 03 = 0...10 V signal
 05 = Feedback

Installation notes

- Condensation, water etc. along the spindle that can come into the actuator must be avoided.
- Do not install the valve with the actuator below the horizontal line.
- Do not use in environments with higher humidity than 95% rf.