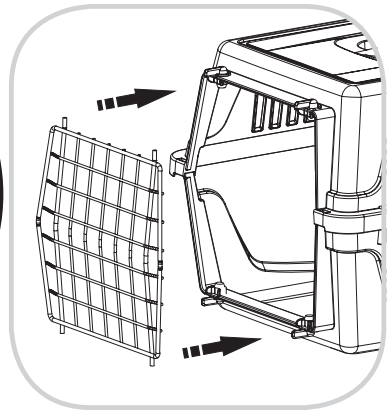
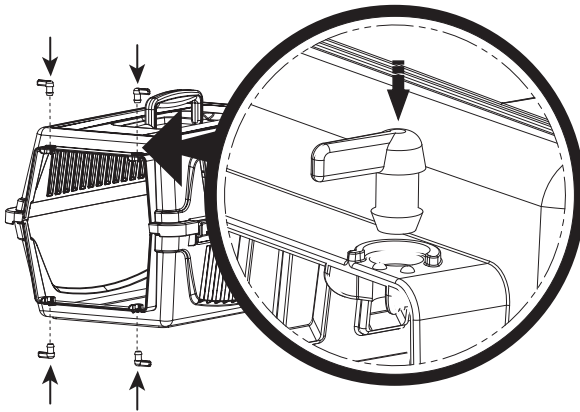
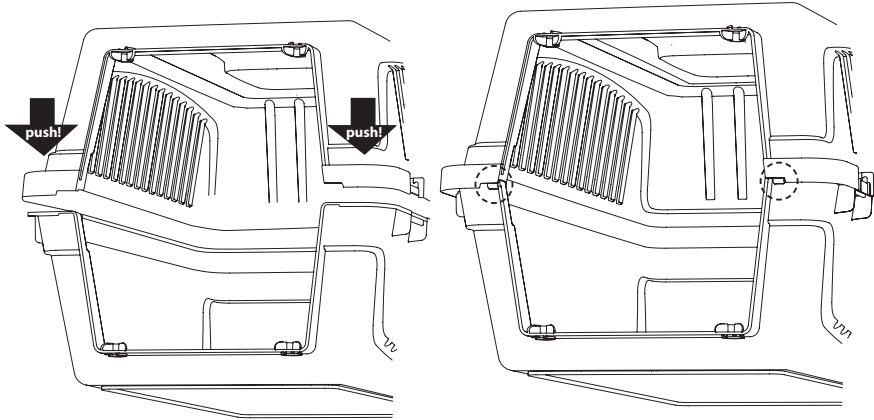
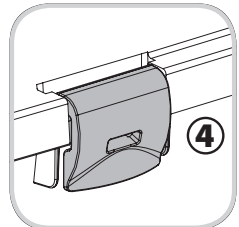
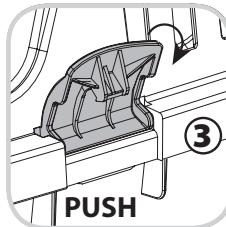
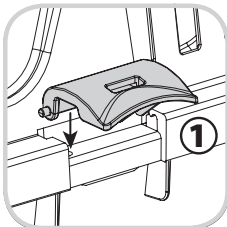


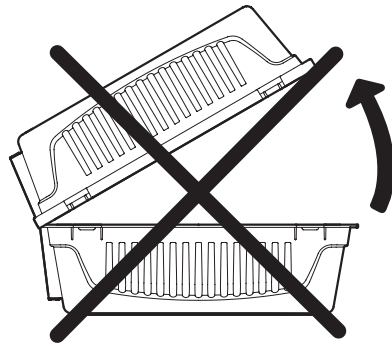
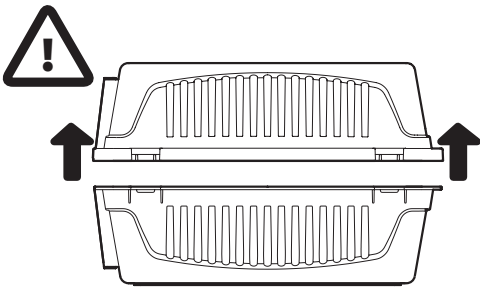
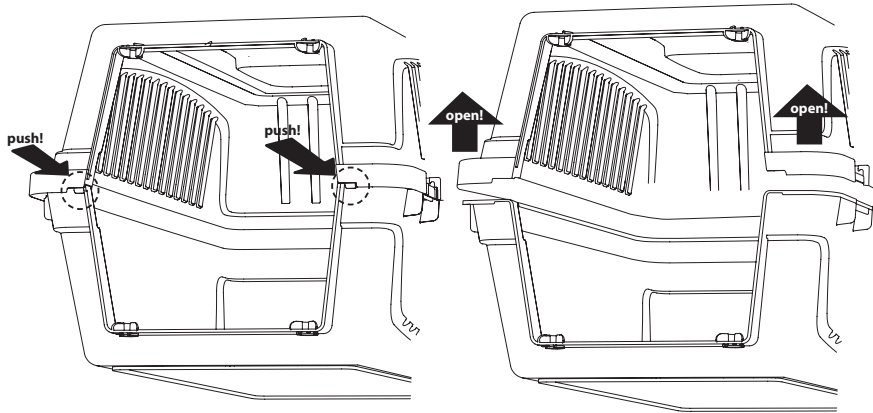
MONTAGGIO - ASSEMBLING - MONTAGE - BAUANLEITUNG
ATLAS 10-20 OPEN



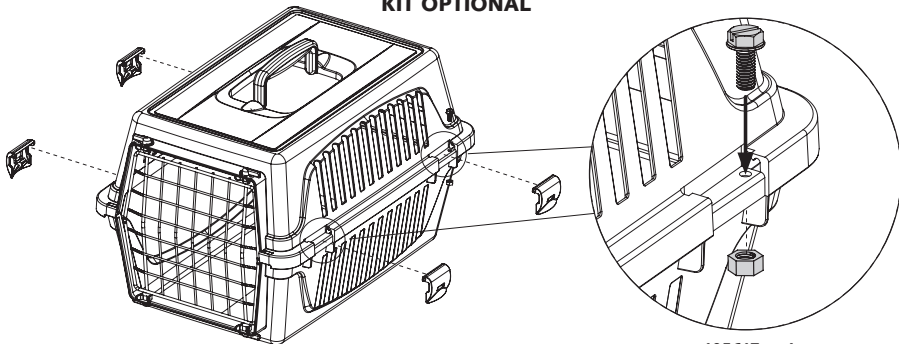
X4



SMONTAGGIO - DISASSEMBLY - DEMONTAGE - DEMONTAGE
ATLAS 10-20 OPEN



KIT OPTIONAL



COD.105617 - x4 pcs