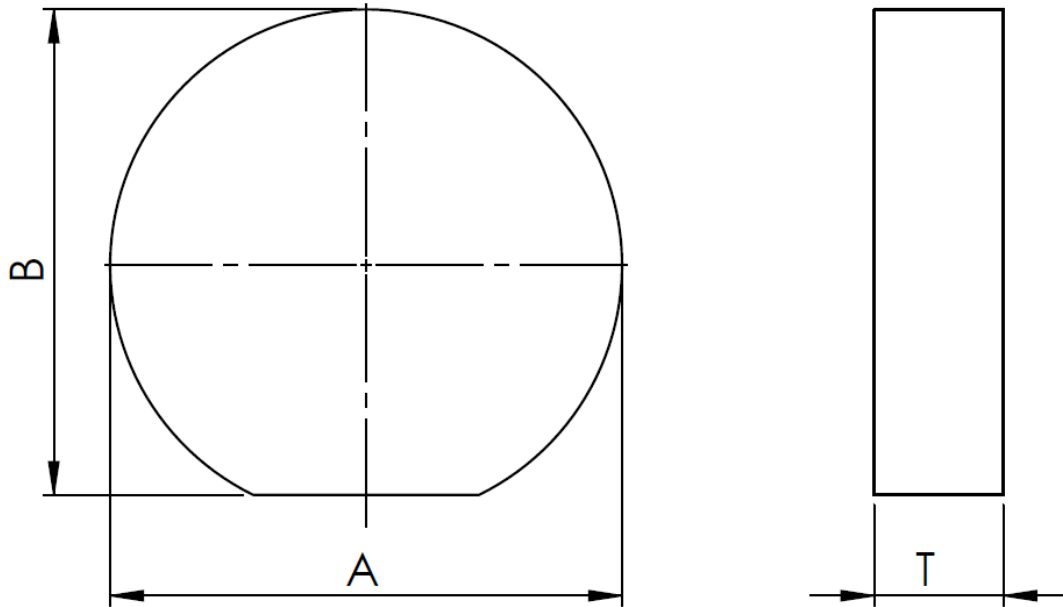


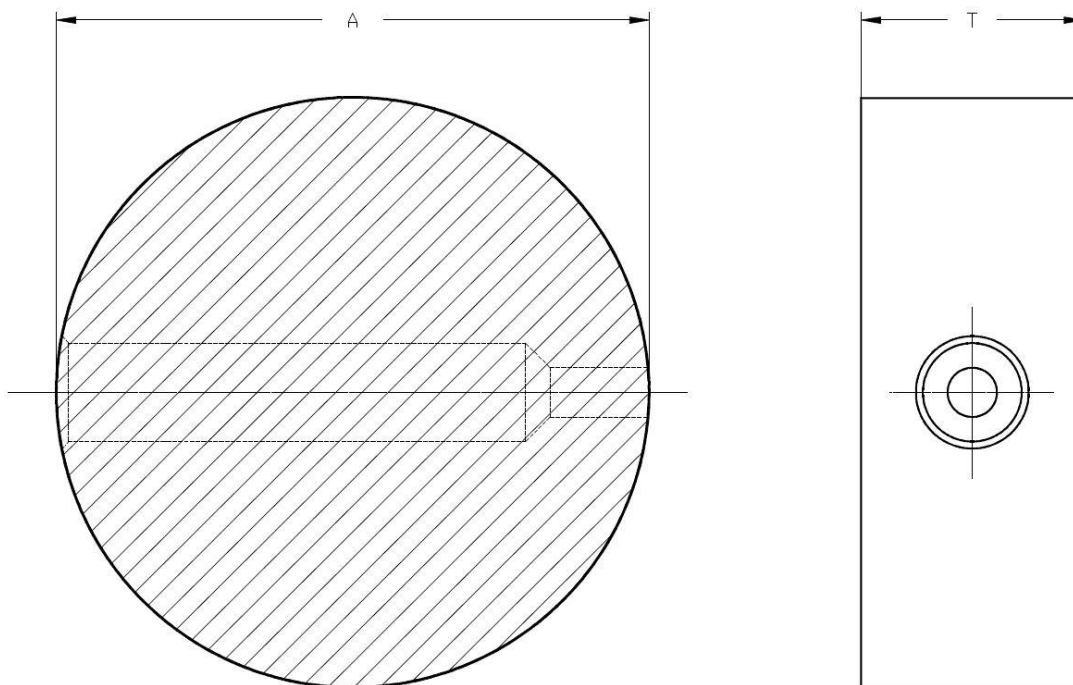
Shape 1



Ref	A (mm)	B (mm)	T (mm)	Special Features
FC01-01	254	241	64	1559E
FC01-02	219	194	90	PCJ/Italy/Now'95
FC01-03	216	200	57	5323/3
FC01-04	216	192	57	PCJ/Italy/Now'95
FC01-05	216	201	57	1494E
FC01-06	216	189	57	532E/3
FC01-07	216	203	57	1560E
FC01-08	209	184	44	2857E
FC01-09	180	165	65	PCJ/Italy/Now'95
FC01-10	127	117	35	2591E
FC01-11	51	44	25	1810E
FC01-12	29	23	10	2015E

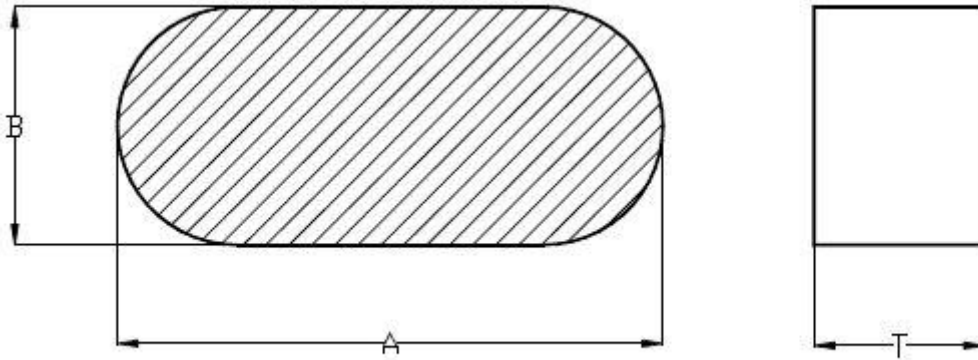


Shape 1A



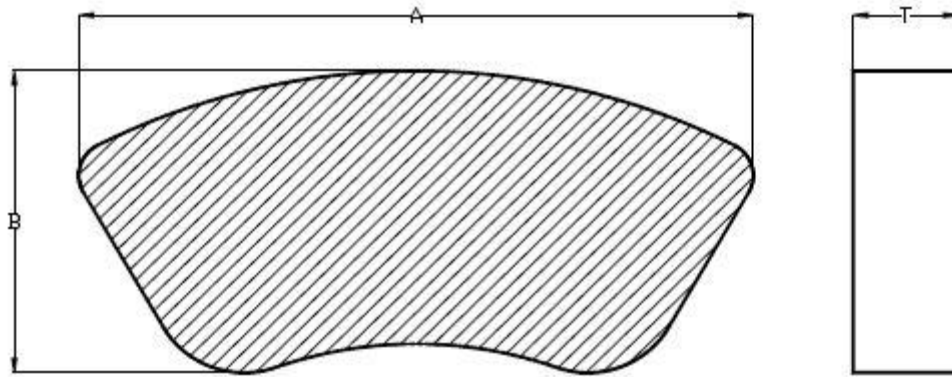
Ref	A (mm)	T (mm)	Special Features
FC01a-01	254	64	1776E-1 hole 12.7mm dia csk 25.4mm dia x 121mm deep
FC01a-02	254	57	1928E-1 hole 12.7mm dia csk 25.4mm dia x 121mm deep
FC01a-03	216	57	2879E-1 hole 12.7mm dia csk 25.4mm dia x 140mm deep
FC01a-04	216	57	532E-1 hole 12.7mm dia csk 25.4mm dia x 140mm deep
FC01a-05	216	57	532E/1-No hole
FC01a-06	216	57	532E/2-1 hole 12.7mm dia csk 25.4mm dia x 121mm deep
FC01a-07	210	57	1346E-No hole
FC01a-08	210	44	2857E-No hole
FC01a-09	178	57	1593E-1 hole 12.7mm dia csk 25.4mm dia x 140mm deep
FC01a-10	154	38	1047E-No hole
FC01a-11	152	64	2895E-1 plain hole 12.7mm dia
FC01a-12	152	57	1076E-1 hole 12.7mm dia csk 25.4mm dia x 12mm deep
FC01a-13	152	38	889E-No hole
FC01a-14	114	38	1041E-No hole
FC01a-15	64	17	1547E-No hole

Shape 3



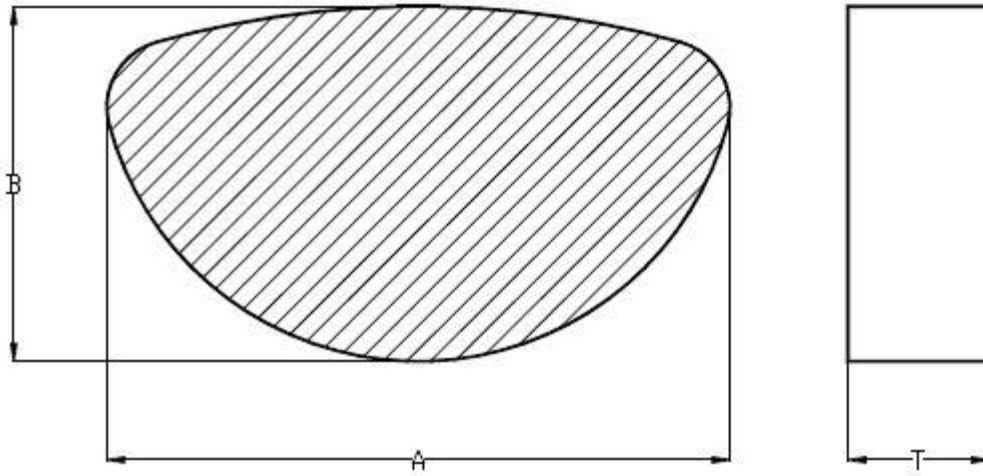
Ref	A (mm)	B (mm)	T (mm)	Special Features
FC03-01	175	70	51	1119E
FC03-02	127	51	48	1247E
FC03-03	110	60	40	2510E
FC03-04	110	60	45	2510E/1
FC03-05	105	38	41	824
FC03-06	105	40	42	Drg. 80-001265
FC03-07	105	40	35	2440E
FC03-08	75	60	26	2341E

Shape 4



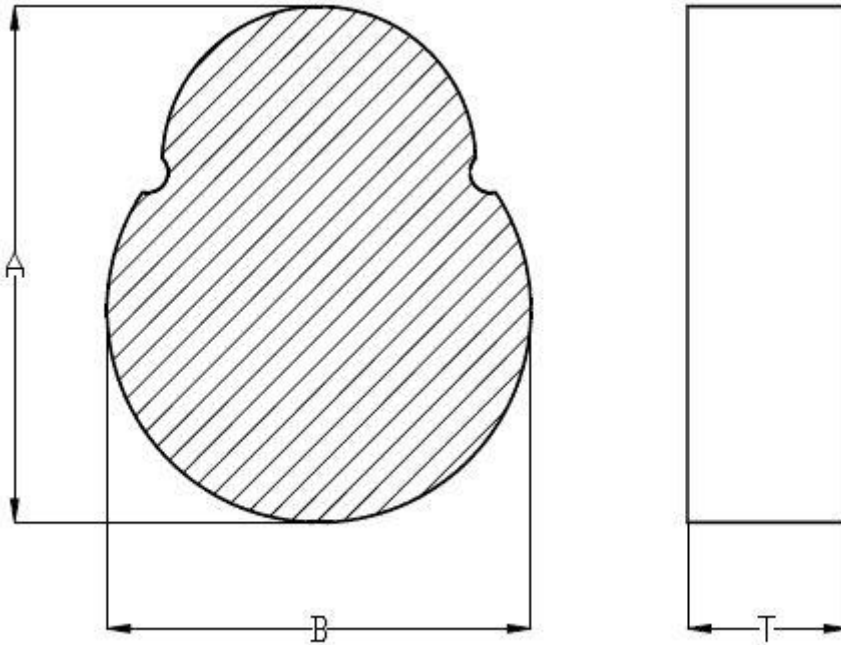
Ref	A (mm)	B (mm)	T (mm)	Special Features
FC04-01	394	203	60	1070E
FC04-02	368	152	64	1992E
FC04-03	368	152	57	829E
FC04-04	321	165	64	1794E
FC05-05	318	165	64	1007E
FC04-06	314	152	57	1371E
FC04-07	295	127	57	867E
FC04-08	294	127	57	736E
FC04-09	291	127	57	808E
FC04-10	269	167	45	2470E
FC04-11	267	114	57	1008E-25.4 mmrad. corners
FC04-12	267	114	57	1008E/1-19.5 mmrad.corners
FC04-13	241	102	64	2890E
FC04-14	241	102	57	868E
FC04-15	241	118	57	809E
FC04-16	225	102	51	878E
FC04-17	225	186	35	2704E
FC04-18	184	67	51	1345E
FC04-19	241	102	60	2987E
FC04-20	327	172	64	2978E

Shape 6



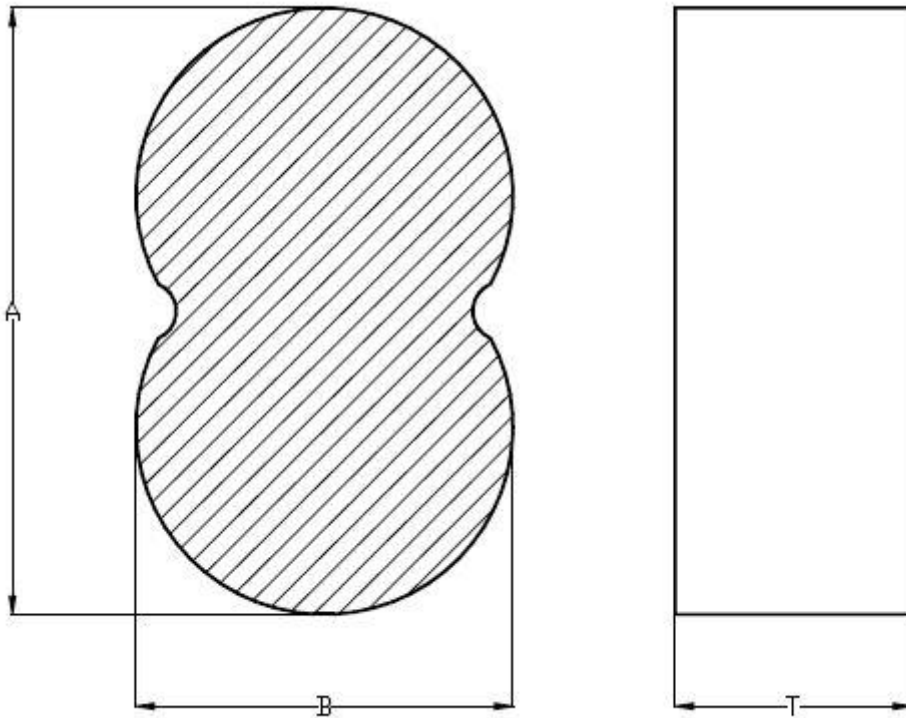
Ref	A (mm)	B (mm)	T (mm)	Special Features
FC06-01	432	253	67	1234E
FC06-02	305	181	57	528E & 528E/1
FC06-03	309	181	60	(PCJ/Italy/Nov'96)
FC06-04	241	140	54	2104E
FC06-05	229	133	57	739E
FC06-06	227	130	40	(PCJ/Italy/Nov'96)
FC06-07	203	118	57	524E
FC06-08	203	121	51	827E
FC06-09	202	118	60	2844E
FC06-10	197	115	38	2470E
FC06-11	174	100	40	2708E
FC06-12	152	89	51	864E/1
FC06-13	135	79	32	2009E

Shape 7a



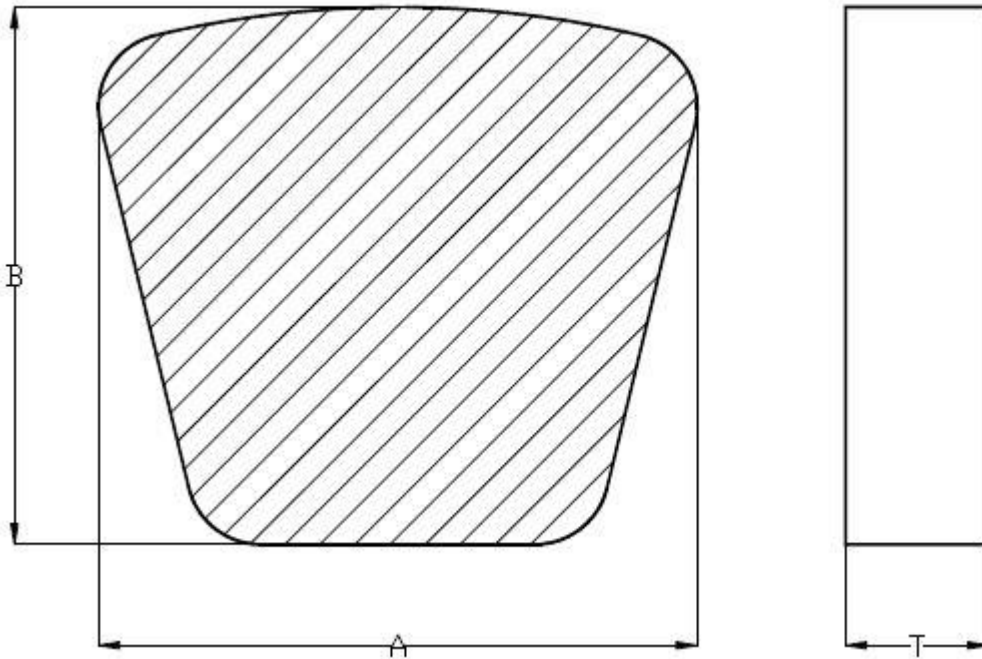
Ref	A (mm)	B (mm)	T (mm)	Special Features
FC07a-01	253	170	55	2916E
FC07a-02	248	203	64	2258E
FC07a-03	248	203	57	2436E
FC07a-04	178	146	50	2799E
FC07a-05	178	146	44	2383E
FC07a-06	178	146	38	1186E
FC07a-07	152	127	57	2267E
FC07a-08	85	70	42	2243E

Shape 7b



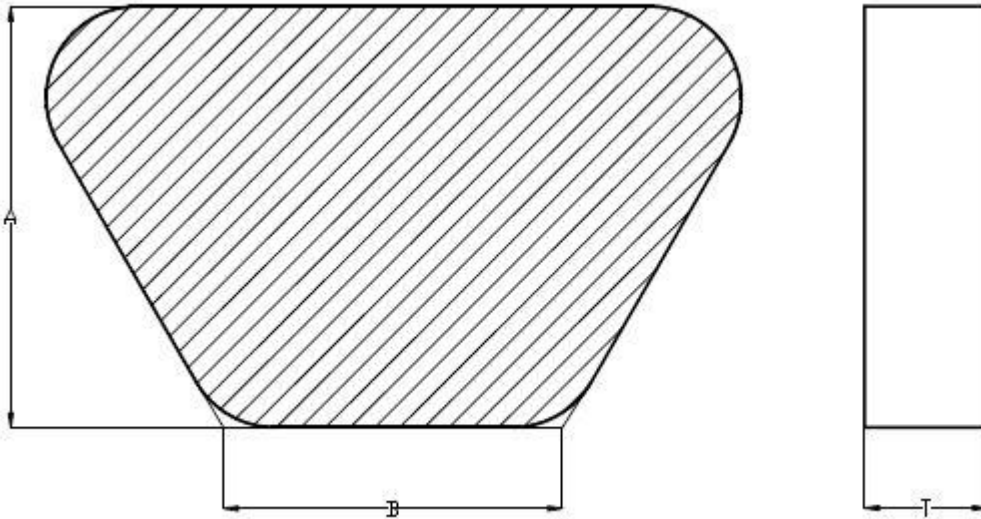
Ref	A (mm)	B (mm)	T (mm)	Special Features
FC07b-01	365	213	64	2612E
FC07b-02	165	102	64	2619E

Shape 8



Ref	A (mm)	B (mm)	T (mm)	Special Features
FC08-03	302	185	50	2993E
FC08-02	241	206	51	2792E
FC08-03	241	206	32	2878E
FC08-04	228	130	40	2665E
FC08-05	216	178	51	2308E
FC08-06	204	202	44	2989E
FC08-07	203	165	44	1347E
FC08-08	171	156	44	2081E
FC08-09	163	136	38	2775E
FC08-10	67	52	32	1993E

Shape 10



A (mm)	B (mm)	T (mm)	Special Features
230	187	67	Drg. No. 5959096(JRM)
200	146	60	Drg. No. 09116925(JRM)