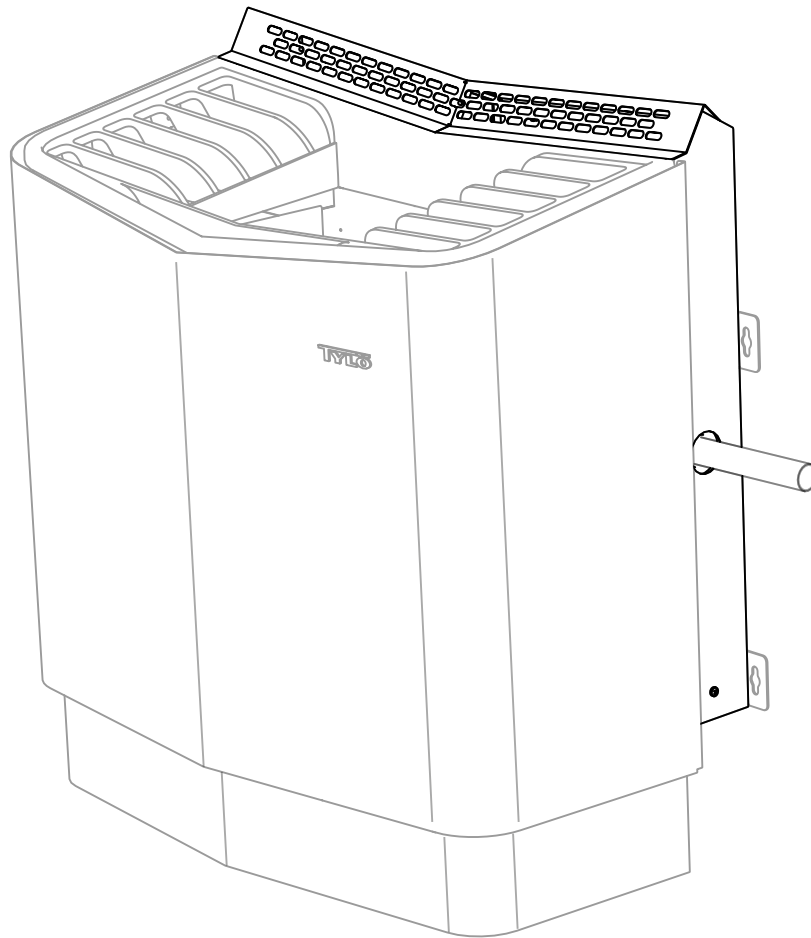


# STEAM OUTLET

## *Commercial*

2017-05-01



### INSTALLATION GUIDE

## 2 PRIOR TO INSTALLATION

### Parts

Check that the following parts are included in the packaging:

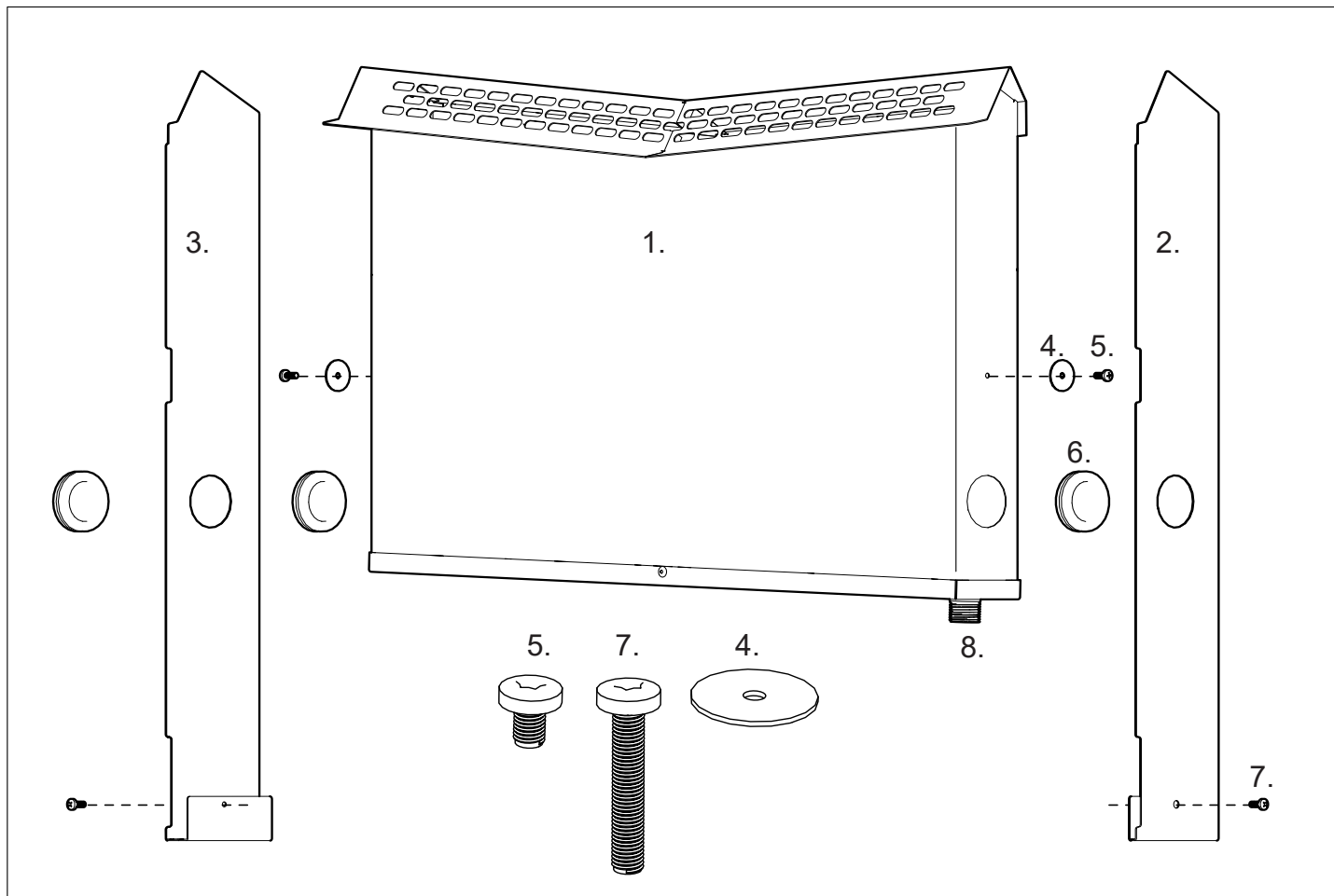


Figure 1: Steam Outlet Commercial parts

1. Steam Outlet Commercial Box	x 1
2. Left Side Cover	x 1
3. Right Side Cover	x 1
4. Washer	x 2
5. Screw 8 mm	x 2
6. Membrane	x 3
7. Screw 25 mm	x 2
8. 15 mm threaded drain pipe	

Contact your dealer if anything is missing.

### Installation tools

The following tools and materials are needed for installation and connection:

- knife
- screwdrivers.

### Installation planning

Before starting to install your sauna heater:

- Install the Steam Outlet before installing the sauna heater on the wall.
- Plan how the steam pipe should be installed (See the installation guide for the Steam Generator how to do a proper steam pipe installation)
- Which side the steam pipe should be installed on the Steam outlet Commercial?
- Plan for the drainage
- Use as large pipe as possible (1 ") for the steam to keep noise down and as little sharp bend close to the Steam Outlet possible.

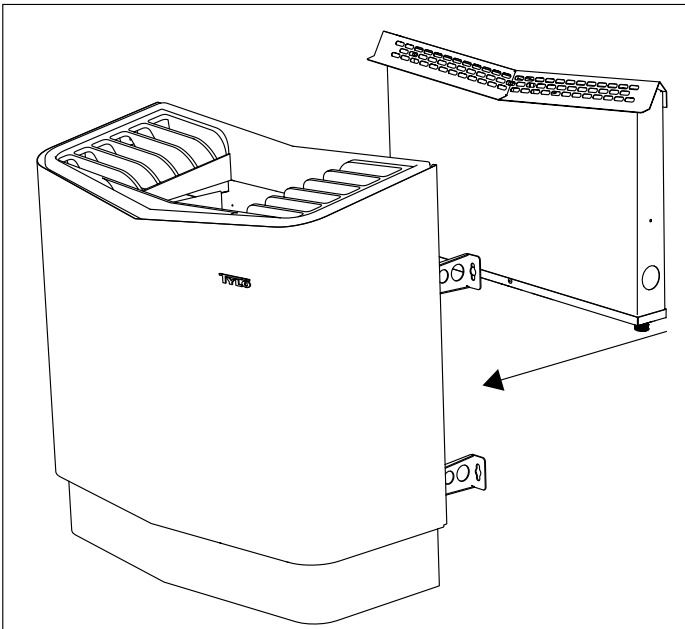


Figure 2: Step One

Mount the Steam Outlet Commercial (nr 1) from behind on the Sense Commercial sauna heater between the top brackets when the heater is not mounted on the wall, rest the lip on the sauna grill.

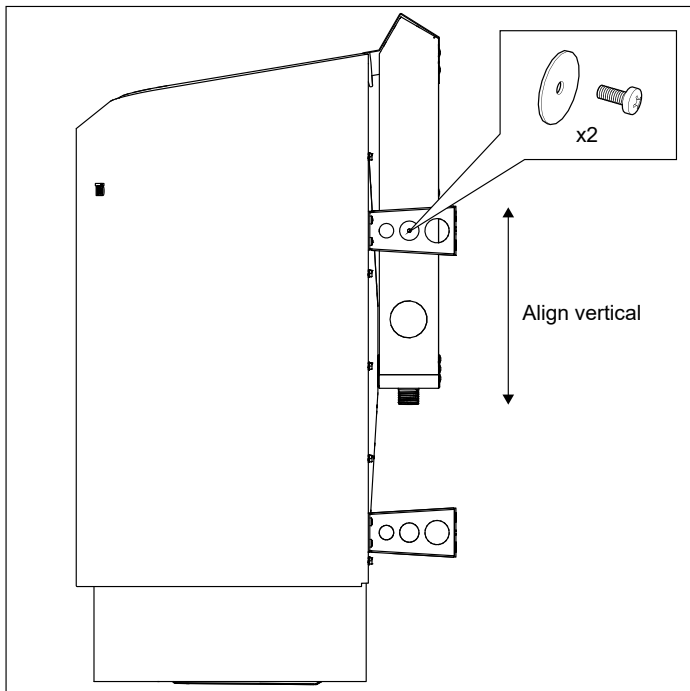


Figure 3: Step Two

Aligned it vertical and fixate it with the screws (nr 5) and washers (nr 4).

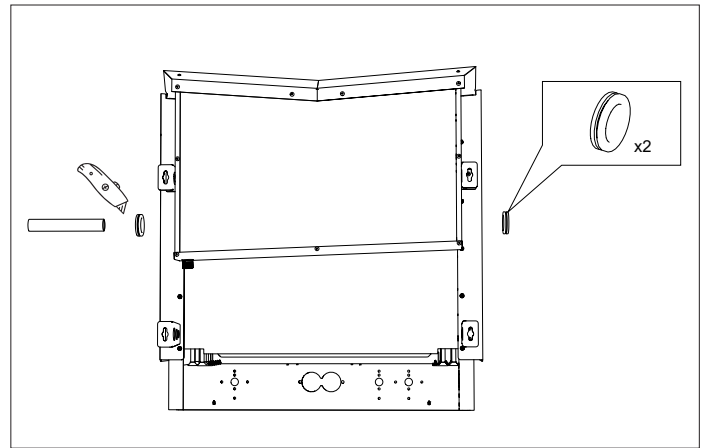


Figure 4: Step Three

Cut a hole in one rubber membrane (nr 6) for the dimension of your steam pipe you and mount it on the side where the steam pipe is. Plug the other side with a membrane.

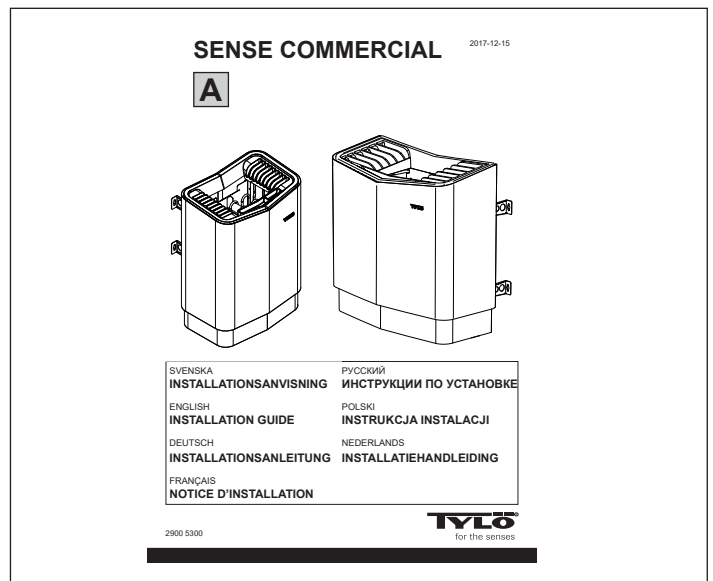


Figure 5: Step Four

Make the Installation of the Sense Commercial sauna heater, see installation guide, 2900 5300

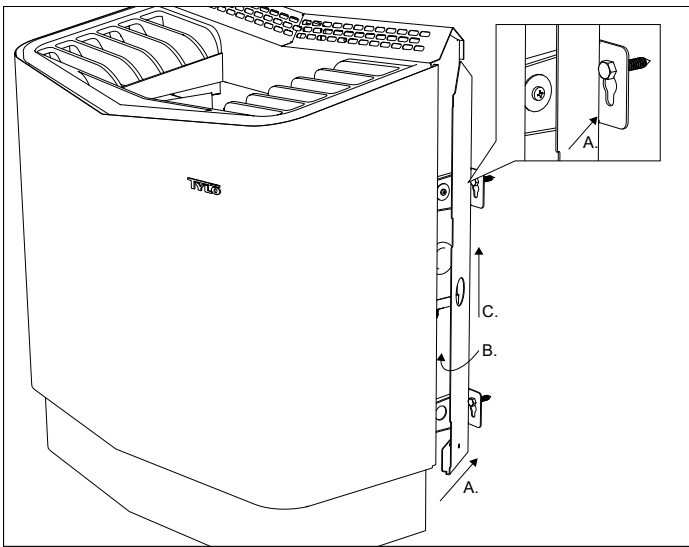


Figure 6: Step Five

Mounting the side covers.

A. Angle the cover inside the bracket screws and push it inwards

B. Twist it in

C. Push it in place, upwards

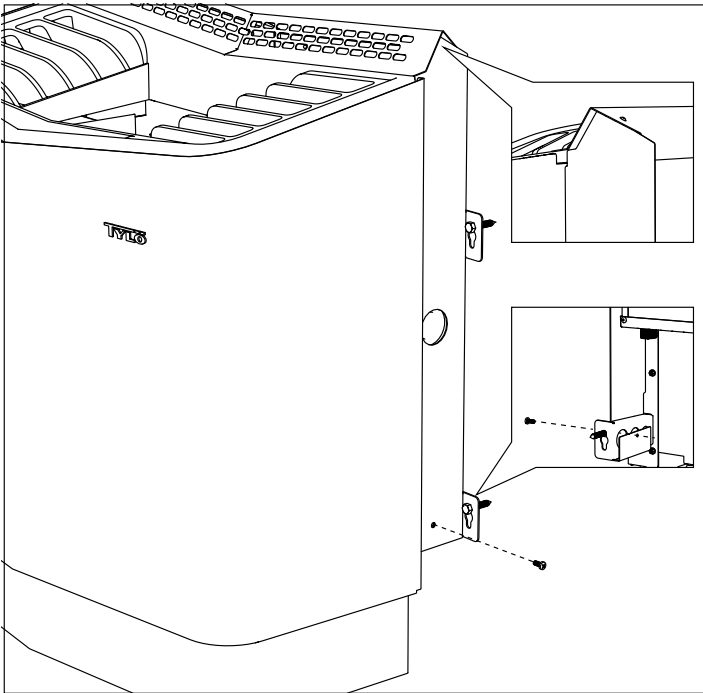


Figure 7: Step Six

- Lock it with the screw (nr 7)
- Repeat on the other side.

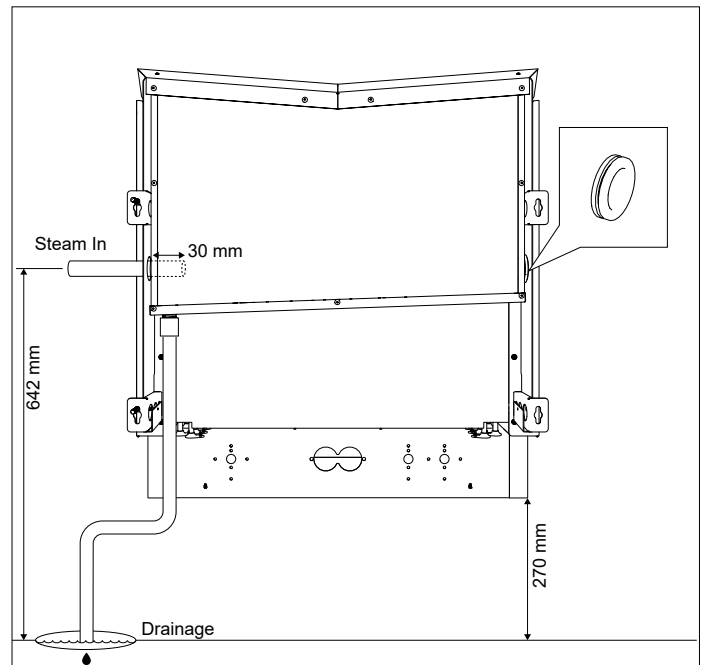


Figure 8: Step Seven

- Pipe enter 642 mm from the floor
- Insert the steam pipe, align it horizontal with 30 mm pipe inside.
- Connect the to the drain pipe to a drainage (15 mm connection). Let the pipe go down into the water to minimize steam leakage.
- Plug the hole in the other side cover with the last rubber membrane.