



Slow Bend. Push Fit x Push Fit

TS18/TS002A



Size	Pattern No.	Pack 1 Qty	Pack 2 Qty	Code	Barcode	Price (£) ex VAT
15mm	TS18/TS002A	5	100	26003	5022050260031	£21.47
18mm	TS18/TS002A	5	100	26005	5022050260062	£24.27
22mm	TS18/TS002A	5	50	26007	5022050260093	£24.98
28mm	TS18/TS002A	5	40	26008	5022050260123	£27.29
35mm	TS18/TS002A	1	10	26009	5022050260154	£47.85
42mm	TS18/TS002A	1	8	26010	5022050260178	£81.60
54mm	TS18/TS002A	1	4	26011	5022050260192	£121.64

Pegler Yorkshire Tectite Sprint, Classic, Pro and 316 Guarantee - Terms and Conditions

Products are subject to a guarantee that is between Pegler Yorkshire and the final purchaser of the product. When correctly assembled with the stated tubes and pipe the length of guarantee is as follows:

25 Years Where Tectite Sprint, Tectite Classic, Tectite Pro and Tectite 316 fittings, Tectite-PEX barrier pipe and 316 System tube are installed in pipelines with products from other manufacturers, they are guaranteed for 25 years.

30 Years Where pipelines are constructed exclusively using Tectite fittings and recommended tubes, the resulting installations will be deemed Tectite Systems and qualify for a 30 year guarantee.

Qualifying systems are:

- Tectite Sprint fittings with Yorkex copper tube and/or Tectite-PEX pipe
- Tectite Classic fittings with Yorkex copper tube and/or Tectite-PEX pipe
- Tectite Pro fittings with Yorkex copper tube and/or Tectite-PEX pipe
- Tectite 316 fittings and stainless steel 316 System tube.

The guarantee is subject to proof of purchase being supplied.

This guarantee does not affect any statutory rights the consumer may have in law.

The guarantee covers manufacturing or material defects when installed in accordance with our instructions on specified tube materials and applications, and does not cover parts subject to normal wear and tear.

This product range has been designed for the use of homeowners, domestic and commercial applications and therefore the Guarantee is subject to the product being properly selected for their intended service conditions.

The guarantee is not applicable where the product is fitted contrary to the conditions in the fitting instructions.

This is reinforced where valves are covered by the European Pressure Equipment Directive (PED97/23/EC) where Installation, Operating and Maintenance Instructions are supplied with each product and/or carton.

Provided it is installed correctly and receives adequate preventative maintenance it should give years of trouble-free service.

Abusive behaviour and accidental damage to the product are not covered by this guarantee.

The extent of this liability is limited to the cost of the replacement of the defective item and not to installation or consequential damages.



[DVGW](#)
[123.6k]



[OVGW](#)
[347.2k]



[SVGW](#)
[281.1k]



[WRAS](#)
[354.7k]

Tectite Fitting	Tube/pipe used with	Min temperature			Max temperature
316 up to 28mm	Stainless Steel	-24°C at 20bar	30°C at 20bar	65°C at 16bar	114°C at 10bar

316 over 35mm Stainless Steel -24°C at 16bar 30°C at 16bar 65°C at 10bar 90°C at 6bar

Care

No regular aesthetic care is required for this product

Maintenance

No regular maintenance is required for this product.

For any further help please contact the Service Support Team on: 0800 1560050.

Component	Material
Body	Stainless steel (316)
O ring	EPDM
Pipe guide	Glass filled nylon 6
Demount collar (up to 28mm)	Brass tin plated
Grab ring	Stainless steel
End cap (35-54mm)	High performance nylon

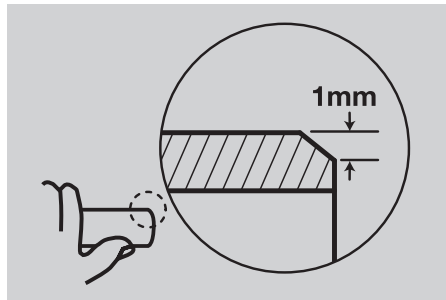
Pegler Yorkshire Group Ltd, St Catherine's Ave, Doncaster, S Yorkshire, DN4 8DF
Telephone: Phone +44 (0) 844 243 4400 Fax: +44 (0) 844 243 9870 Website: www.peglyorkshire.co.uk
Registered office : Pegler Yorkshire Group Ltd, St Catherine's Ave, Doncaster, S Yorkshire, DN4 8DF Company no : 00401507

For joints 10 to 54mm

Always cut the tube square, using a rotary tube cutter whenever possible. Ensure the cutter wheel appropriate for the material been cut (Carbon steel requires a higher grade of cutter wheel, Pegler Yorkshire recommend using the TC155 with a REMS Cento)

If you are using PEX or PB pipe cut the pipe using pipe shears. When using plastic coated carbon steel tube remove the coating using the S115 stripping tool.

Deburr the tube end, both internally and externally to create a 1mm chamfer on the outside of the tube.



Check the tube ends are free from damage and clean, wiping away any swarf to avoid damaging the 'O' ring on tube insertion. Tube end must also be free from stickers, tape and adhesive residues.

Where using PEX or PB you must use always insert a support liner ensuring it is the correct liner as specified by the pipe manufacturer. If the pipe has been used on previous installations you will need to cut it back to behind the teeth or score marks.

Mark the socket depth with a marker.

Fitting socket depths for Tectite:

Size	Sprint	Classic, PRO & 316	Carbon
10mm	15mm	23mm	-
12mm	17mm	23mm	-
15mm	16mm	23mm	28mm
18mm	-	23mm	28mm
22mm	19mm	27mm	30mm
28mm	20mm	31mm	32mm
35mm	-	57mm	40mm
42mm	-	62mm	42mm
54mm	-	68mm	45mm

For chrome plated copper tube you must scribe the tube using the correct Tectite Scribing tool.

Select the correct type and size of fitting for pipework.

The fitting should be kept in its bag until point of use to protect the 'O' ring.

Check the fitting ensuring the grab rings/'O'rings have not been contaminated with grit or debris.

Insert the tube/pipe firmly with a slight twisting action until it reaches the tube stop with a positive "click".

Ensure the depth insertion mark corresponds with the mouth of the fitting, then pull firmly on the tube/pipe to ensure the fitting is secure.

Note: Tectite Sprint and Tectite Carbon fittings must not be used with male ended fittings from other Tectite ranges (except T5265). Other third party male ended products should not be used with any Tectite fittings.

Do not use Tectite fittings on gas services.

Tectite Classic fittings do not provide electrical continuity, other Tectite fittings only provide electrical continuity when installed with metal tube.

De-mounting Tectite fittings

Range	De-mountability
Sprint	No
Classic	Yes
PRO	Yes
316	Yes
Carbon	No

For sizes 10mm to 28mm

Place the forks of the disconnecting tool around the fitting assembly. The fork side carrying the Tectite brand logo should be positioned around the tube/pipe with the opposite side around the neck of the fitting.

Squeeze the disconnecting tool with one hand until the release collar in the fitting is compressed. With the other hand, twist out the tube/pipe using the thumb as a lever against the tool to assist disconnection.

Check the fitting and tube/pipe for damage before remaking the joint.

The plastic disconnecting clip may be used where only an occasional disconnecting facility is needed.

For sizes 35mm to 54mm

Have replacement parts for the discarded items ready for insertion. Using a spanner on the fitting flats to prevent the fitting from rotating, insert the Tectite DTX end cap tool into the slots in the end cap. Turn the tool anti-clockwise to unscrew the end cap and slide it along the tube away from the fitting body.

Pull the tube out of the fitting body.

Remove and discard the 'O' ring.

Remove and retain the alignment ring.

Snip off the grab ring with side cutters and discard. Before re-assembly replace the discarded parts, Tectite Pro grab rings (TX105) and Tectite 316 grab rings (TS106) these are not interchangeable.

The components must be clean and the 'O' ring lubricated using S130 Silicone lubricant. Replace the components in the correct order, as shown, and check they are fully seated in the fitting body.



Screw the end cap back into the fitting until hand tight. If resistance is felt and the end cap is not flush with the fitting body, remove the end cap and ensure the grab ring is fully located i.e. fully in contact with the alignment ring. Again screw the end cap into the fitting until hand tight. Temporarily insert a 300mm length of deburred tube into the fitting BUT NOT THROUGH the grab ring to help locate the demount tool. Tighten the end cap a further 8mm to 10mm (radically). Remove the tube.

Before reinstalling the fitting back into the system, check the end of the tube for damage. If the tube is scored or damaged, remove the affected section with a tube cutter and prepare the tube end as described in preliminaries and tube preparation.

The advantages of Tectite

- A totally heat-free jointing solution
- Major reductions in installation times provides major installed cost savings
- No need for hot works permits or additional costly insurance
- Sizes from 10mm up to 54mm
- Systems have an exceptionally clean bore with no flux residues
- System guarantees* of up to 30 Years for Tectite Sprint, Tectite Classic, Tectite Pro Tectite 316 and 20 Years for Tectite Carbon and Tectite Flexifit connectors

Tectite Fitting	Tube/Pipe used with	Min Performance		Max Performance	
Classic	Copper	-24°C	30°C	65°C	95°C
		16 bar	16 bar	10 bar	6 bar
Sprint & Classic	PEX & PB	-20°C	20°C	65°C	92°C
		12 bar	12 bar	6 bar	3 bar
Sprint & PRO upto 28mm	Copper	-24°C	30°C	65°C	114°C
		20 bar	20 bar	16 bar	10 bar
PRO over 35mm	Copper	-24°C	30°C	65°C	90°C
		16 bar	16 bar	10 bar	6 bar
316 upto 28mm	Stainless steel	-24°C	30°C	65°C	114°C
		20 bar	20 bar	16 bar	10 bar
316 over 35mm	Stainless steel	-24°C	30°C	65°C	90°C
		16 bar	16 bar	10 bar	6 bar
Carbon	Carbon Steel	-24°C	30°C	65°C	114°C
		20 bar	20 bar	16 bar	10 bar