

Bronze Gate Valve

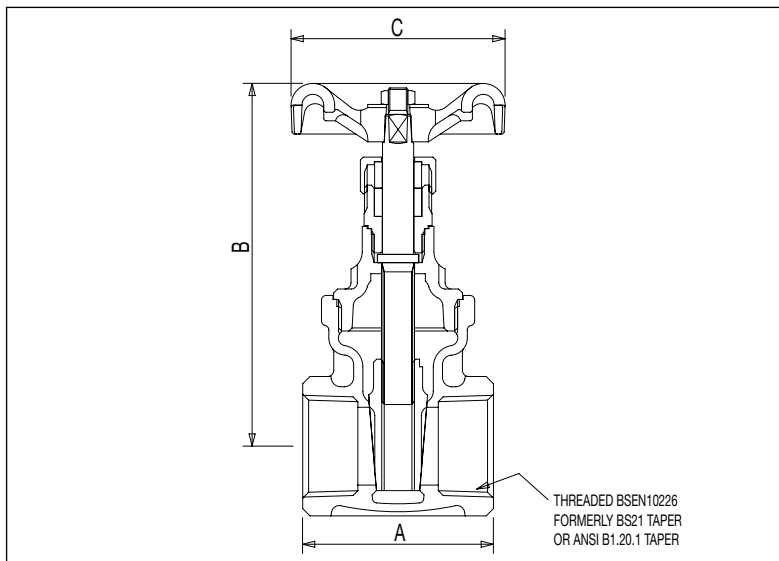
Crane gate valves offer the ultimate in dependable service wherever minimum pressure drop is important.

Materials

Part	Material	Sizes
Body	Bronze BSEN1982 CC491K	All
Bonnet	Bronze BSEN1982 CC491K	1/4 - 3
Stem	DZR Brass BSEN12164 CW602N	1/4 - 2
Stem	Bronze BSEN1982 CC491K	2.1/2 & 3
Disc	Bronze BSEN1982 CC491K	All
Stuffing Box	DZR Brass BSEN12164 CW602N	1/4 - 2
Stuffing Box	Bronze BSEN1982 CC491K	2.1/2 & 3
Packing	Asbestos Free	All
Gland	Brass BSEN12164 CW614N	All
Packing Nut	Brass BSEN12164 CW614N	All
Handwheel	Aluminium	All
ID. Plate	Aluminium	All
Handwheel Nut	Brass BSEN12164 CW614N	All
Gasket	Asbestos Free	3 only



Dimensional Drawing



Dimensions and Weights

Size	Weight (kg)	A (mm)	B (mm)	C (mm)
1/4"	0.36	46	75	45
3/8"	0.35	46	75	45
1/2"	0.47	51	82	52
3/4"	0.6	55	95	65
1"	0.92	63	118	70
1.1/4"	1.41	71	144	79
1.1/2"	1.92	73	166	92
2"	2.72	83	190	103
2.1/2"	5.62	105	232	103
3"	7.89	111	264	121

Pressure Rating: PN32

UK End Connection: BSEN10226 formerly BS21 Taper

US End Connection: ANSI B1.20.1

Operator: Handwheel

Gate valves are best for services that require infrequent valve operation, and where the disk is kept either fully opened or fully closed. They are not practical for throttling.

Specification:

Valves are manufactured in accordance with BSEN12288 (formerly BS5154) PN32 for series B ratings.

Non Rising Stem

Valves having ANSI threads also generally conform to MSS SP-80.

This valve is not suitable for use on group 1 gasses or unstable fluids, as defined by the Pressure Equipment Directive 97/23/EC.

Temperature operating range: -10 to 198°C.

Available Options:

P150 locking device.