

PN40 Bronze Globe Valve

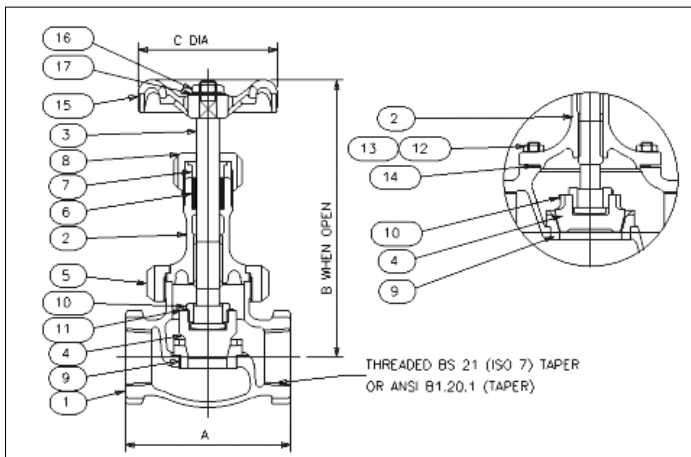
Crane Bronze globe valves are highly efficient for throttling because seat and disk designs provide flow characteristics with proportionate relationships between valve lift and flow rate.

Materials

Part	Material	Size
1 Body	Bronze BSEN1982 CC491K	All
2 Bonnet	Bronze BSEN1982 CC491K	All
3 Stem	Brass BSEN12164 CW721R	1/4 - 2
4 Disc	Duplex Stainless Steel S32205	All
5 Union Ring	Bronze BSEN1982 CC491K	1/4 - 2
6 Packing	Asbestos Free	All
7 Gland	Brass BSEN12164 CW614N	All
8 Packing Nut	Brass BSEN12164 CW614N	1/4 - 1.1/2
8 Packing Nut	Bronze BSEN1982 CC491K	2 - 3
9 Body Seat Ring	13% Cr.Steel BS970 Pt.1 410S21/431S29	All
10 Disc Stem Ring	Brass BSEN12164 CW721R	1/4 - 2
11 Lockwasher	Brass BSEN1652 CuZn 40Pb	All
12 Bonnet Stud	Steel BS970 070M20	2.1/2 & 3
13 Bonnet Stud Nut	Steel BS4190 Gr.4	2.1/2 & 3
14 Gasket	Asbestos Free	2.1/2 & 3
15 Handwheel	Aluminium	1/4 - 2
16 Handwheel Nut	Brass BSEN12164 CW614N	All
17 ID. Plate	Aluminium	All



Dimensional Drawing



Dimensions and Weights

Size	Weight (kg)	A (mm)	B (mm)	C (mm)
1/4"	0.53	59	122	52
3/8"	0.55	59	122	52
1/2"	0.8	68	140	65
3/4"	1.24	81	152	70
1"	1.82	95	171	78
1.1/4"	2.73	108	193	92
1.1/2"	3.78	121	220	103
2"	6.03	146	251	121

Specification

Valves are manufactured in accordance with BS5154 PN40 for series A ratings. Design incorporates Duplex Stainless Steel S32205 plug type disk retained on stem by a threaded ring. The body seat is screwed-in stainless steel ring. Sizes 1/4" to 2" have a union bonnet and sizes 2.1/2" and 3" have a bolted bonnet.

This valve is not suitable for use on group 1 gasses or unstable fluids, as defined by the Pressure Equipment Directive 97/23/EC.

Temperature operating range: -10 to 260 degrees celsius.

Valves having ANSI threads also generally conform to MSS SP-80.

Pressure Rating: PN40

UK End Connection: BS21 Taper

US End Connection: ANSI B1.20.1

Operating Instructions: Handwheel Operated

Available Options: P150 locking device.