

D71 PN32

Materials

NO.	PART	MATERIAL	SIZE
1	Body	Bronze BS EN 1982 CC491K	-
2	Bonnet	Sil. Al. Bronze BS EN 12163 CW301G	1/8 - 3/8
2	Bonnet	Brass BS EN 12164 CW614N	3/4
3	Stem	Sil. Al. Bronze BS EN 12163 CW301G	-
4	Packing*	Asbestos Free	-
5	Gland	Brass BS EN 12164 CW614N	-
6	Packing Nut	Brass BS EN 12164 CW614N	-
7	Handwheel	Aluminium	-
8	Handwheel Nut	Brass BS EN 12164 CW614N	-
9	Identity Plate	Aluminium	-

*Recommended spares

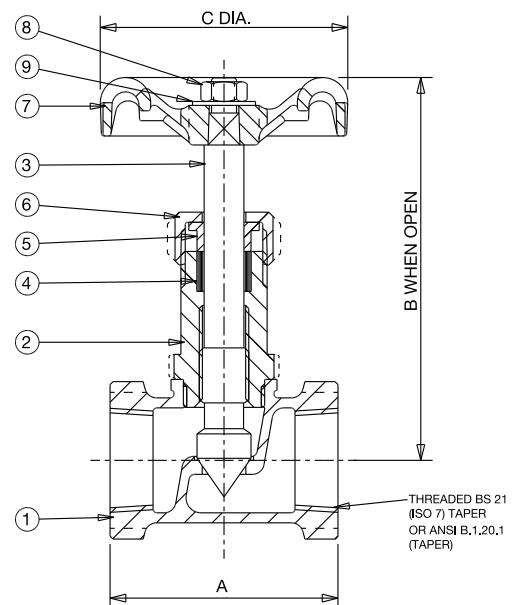


D71

Dimensions & Weights

SIZE (inch)	WEIGHT (kg)	A (mm)	B (mm)	C (mm)
1/8	0.13	29	74	44
1/4	0.15	39	73	44
3/8	0.21	45	77	44
1/2	0.29	51	91	52
3/4	0.46	58	104	65

Dimensional Drawing



PRESSURE RATING: PN32

TEMPERATURE OPERATING RANGE: -10 to 100°C

END CONNECTION: Threaded BS 21 or ANSI B1.20.1

SPECIFICATION: Valve are manufactured in accordance with BS 5154 PN32 for Series B ratings. The needle disk is an integral part of the stem, and body seat is integral.

Every effort has been made to ensure that the information contained in this publication is accurate at the time of publishing. Crane Ltd assumes no responsibility or liability for typographical errors or omissions or for any misinterpretation of the information within the publication and reserves the right to change without notice.