

D171 Bronze Ball Valve D171EXS Extended Stem Bronze Ball Valve

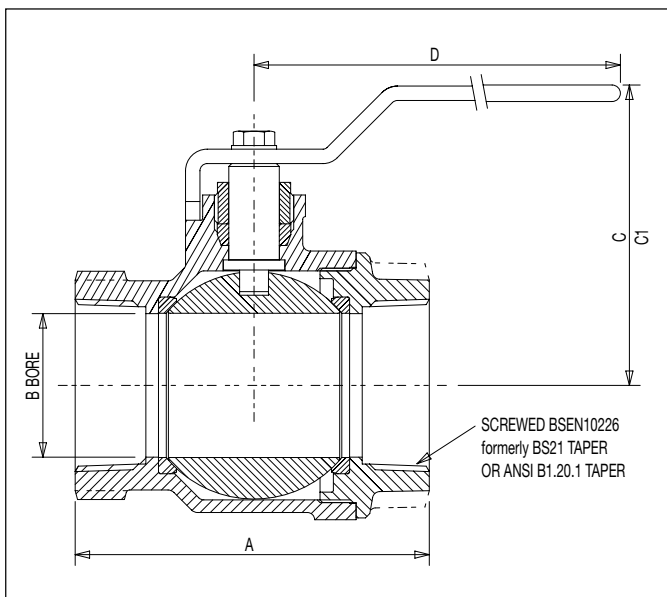
Crane D171 Ball Valves are light, compact units which are easy to install and operate, yet their robust construction ensures long, trouble free service life.
In addition the D171 and D171EXS are WRAS approved.

Materials

Part	Material	Sizes
Body	Bronze BSEN1982 CC491K	All
Seat Retainer	Bronze BSEN1982 CC491K	All
Ball	DZR Brass BSEN12165 CW602N	All
Seat Ring	PTFE	All
Stem	DZR Brass BSEN12164 CW602N	All
Packing	PTFE	All
Gland Nut	DZR Brass BSEN12164 CW602N	¼ - 2"
Lever	Mild Steel (Zinc Plated)	All
Screw	Mild Steel (Zinc Plated)	All
Lever Cover	P.V.C.	All
Extension Housing	Aluminium	D171EXS
Extension Stem	Brass BSEN12164 CW602N	D171EXS



Dimensional Drawing



Dimensions and Weights

Size	Weight (kg)	A (mm)	B (mm)	C (mm)	C1 (mm) D171EXS	D (mm)
1/4"	0.15	46	10	39	-	81
3/8"	0.15	46	10	39	-	81
1/2"	0.22	57	15	52	97	92
3/4"	0.45	67	20	58	98	92
1"	0.69	77	25	66	118	127
1.1/4"	1.12	91	32	72	124	127
1.1/2"	1.67	103	40	82	142	142
2"	2.93	122	50	90	149	142
2.1/2"	4.98	153	65	117	-	202
3"	8.75	179	80	132	-	282

Pressure Rating: PN25

UK End Connection: BSEN10226 formerly BS21 Taper

US End Connection: ANSI B1.20.1

Operator: Lever.

Specification:

End Entry, Quarter Turn, Tight Shut-Off

PTFE seats and stem seal, WRAS listed.

This valve is not suitable for use on group 1 gasses or unstable fluids, as defined by the Pressure Equipment Directive 97/23/EC.

Temperature operating range: -10 to 186°C.