

## Class 100\* Imperial Cast Iron Gate Valve - Bronze Trim

Crane cast iron gate valves offer the ultimate in dependable service wherever minimum pressure drop is important.

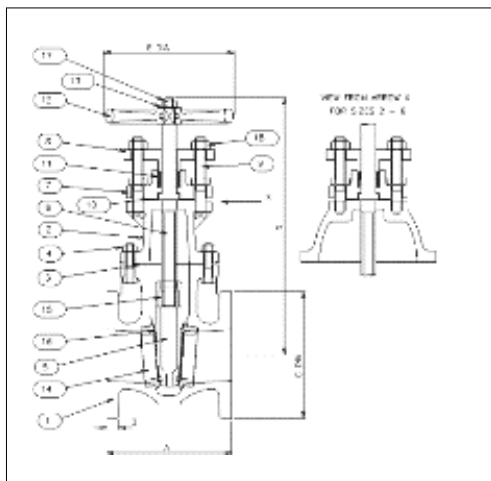
\*Valves are rated class 100 or class 50 depending on end flanges.

### Materials

| Part                   | Material                             | Size |
|------------------------|--------------------------------------|------|
| 1 Body                 | Cast Iron BSEN1561 GJL-250           | All  |
| 2 Bonnet               | Cast Iron BSEN1561 GJL-250           | All  |
| 3 Bonnet Gasket        | Asbestos Free                        | All  |
| 4 Bonnet Bolts/Nuts    | Steel BS4190 Gr.4.6/4.0              | All  |
| 5 Disc                 | Cast Iron BSEN1561 GJL-250           | All  |
| 6 Stem                 | Brass BSEN12164 CW721R               | All  |
| 7 Stuffing Box         | Cast Iron BSEN1561 GJL-250           | All  |
| 8 Gland                | Cast Iron BSEN1561 GJL-250           | All  |
| 9 Gland Bolts          | Steel BS4190 Gr.4.6                  | All  |
| 9 Gland Studs          | Steel BS4439 Gr.4.8                  | All  |
| 10 Stuffing Box Gasket | Asbestos Free                        | All  |
| 11 Packing             | Asbestos Free                        | All  |
| 12 Handwheel           | Malleable Iron BS EN 1562 GJMB-300-6 | All  |
| 13 Washer              | Steel                                | All  |
| 14 Body Seat Ring      | Bronze BSEN1982 CC491K               | All  |
| 15 Disc Stem Nut       | Bronze BSEN1982 CC491K               | All  |
| 16 Disc Ring           | Bronze BSEN1982 CC491K               | All  |
| 17 Handwheel Nut       | Steel BS4190 Gr.4                    | All  |
| 18 Stud/Bolt Nuts      | Steel BS4190 Gr.4                    | All  |



### Dimensional Drawing



### Dimensions and Weights

| Size   | Weight (kg) | A (mm) | D (mm) | H (mm) |
|--------|-------------|--------|--------|--------|
| 2"     | 13.6        | 146    | 277    | 140    |
| 2.1/2" | 15.9        | 159    | 296    | 140    |
| 3"     | 20          | 165    | 337    | 152    |
| 4"     | 27.2        | 171    | 369    | 203    |
| 5"     | 39          | 191    | 429    | 229    |
| 6"     | 44.5        | 210    | 470    | 229    |
| 8"     | 81.6        | 241    | 600    | 305    |
| 10"    | 122.9       | 273    | 722    | 356    |
| 12"    | 174.2       | 305    | 818    | 406    |

### Operating Instructions

Handwheel Operated. Gate valves are best for services that require infrequent valve operation, and where the disk is kept either fully opened or fully closed. They are not practical for throttling.

### Specification

End flanges conform to BS 10 Table D or E with flat face and are normally supplied drilled.

Orders must specify whether Table D or Table E flanges are required.

Wedge disk, non-rising stem, inside screw, bronze trim.

Each valve is hydrostatically tested to BS6755 Pt 1.

This valve is not suitable for use on group 1 gasses or unstable fluids, as defined by the Pressure Equipment Directive 97/23/EC. Temperature operating range: -10 to 170 degrees celsius.

**Pressure Rating:** Class 100

**UK End Connection:** BS10 Table D or E

**US End Connection:** Not Specified

**Available Options**

P150 locking device