

Cast Iron Gate Valve

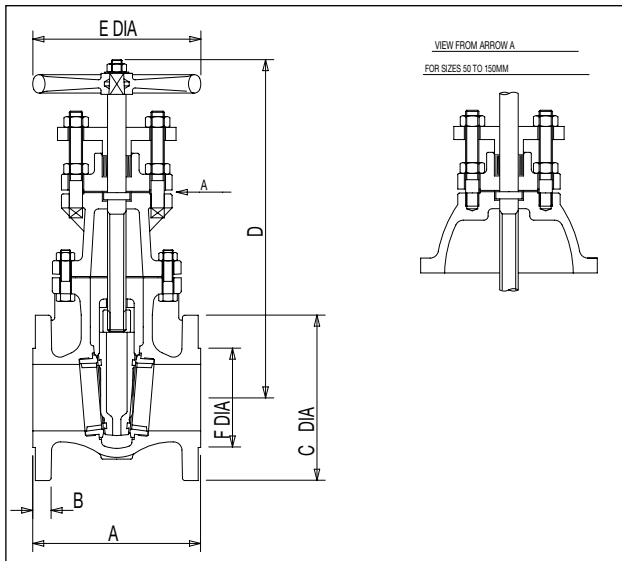
Crane cast iron gate valves offer the ultimate in dependable service wherever minimum pressure drop is important
 Complete with Bronze trim
 Each valve is hydrostatically tested to BSEN12266-1 (formerly BS5150)
 Manufactured in accordance with BSEN1171 (formerly BS5150)

Materials

Part	Material	Sizes
Body	Cast Iron BSEN1561 GJL-250	All
Bonnet	Cast Iron BSEN1561 GJL-250	All
Bonnet Gasket	Asbestos Free	All
Bonnet Bolts/Nuts	Steel BS4190 Gr.4.6/4.0	All
Disc	Cast Iron BSEN1561 GJL-250	All
Stem	Brass BS2874 CZ114	All
Stuffing Box	Cast Iron BSEN1561 GJL-250	All
Gland	Cast Iron BSEN1561 GJL-250	All
Gland Bolts	Steel BS4190 Gr.4.6	Sizes 200 - 300
Gland Studs	Steel BS4439 Gr.4.8	Sizes 50 - 150
Stuffing Box Gasket	Asbestos Free	All
Packing	Asbestos Free	All
Handwheel	Malleable Iron BS EN 1562 GJMB-300-6	All
Washer	Steel	All
Body Seat Ring	Bronze BSEN1982 CC491K	All
Disc Stem Nut	Bronze BSEN1982 CC491K	All
Disc Ring	Bronze BSEN1982 CC491K	All
Handwheel Nut	Steel BS4190 Gr.4	All



Dimensional Drawing



Dimensions and Weights

Size	Weight (kg)	A (mm)	B (mm)	C (mm)	D (mm)	E (mm)	F (mm)
50mm	14	178	20	165	277	140	102
65mm	17	190	20	185	296	140	122
80mm	22	203	22	200	337	152	138
100mm	30	229	24	220	369	203	158
125mm	41	254	26	250	429	229	188
150mm	47	267	26	285	470	229	212
200mm	85	292	26	340	600	305	268
250mm	146	330	28	395	722	356	320
300mm	188	356	28	445	818	406	370

Pressure Rating: PN10

UK End Connection: Flanged BSEN1092-2

Operator: Handwheel

Gate valves are best for services that require infrequent valve operation, and where the disk is kept either fully opened or fully closed. They are not practical for throttling.

Specification:

Long face to face, Wedge Disk, Non-rising stem.

Valves are manufactured in accordance with BSEN1171 (formerly BS5150). End flanges conform to BSEN1092-2 section 3.2 table 10 with raised face and are normally supplied drilled.

This valve is not suitable for use on group 1 gasses or unstable fluids, as defined by the Pressure Equipment Directive 97/23/EC.

Temperature operating range: - 10 to 180°C.

Available Options:

Flanges undrilled, P50 locking device.