



Fresh Cylinder Ideas
From The
Independent
Manufacturer...

The **NEW** Cylinder Guide
Issue 5

Meet Our Range...



RM Cylinders is a new, independent company built on a proud tradition of serving the commercial and domestic hot water storage markets. Our hand-picked team has many years' experience in design, manufacture and sales to offer customers total peace of mind through quality, UK-made products and a comprehensive consultancy service.

"As Founder and Managing Director, I am also the former owner of two well-known companies – Range Cylinders and Copperform – that led the industry in vented hot water storage units. Our success built around the popular Range Tribune and Copperform Ultrasteel units led to a takeover from a major Plc that now dominates the market.

Spotting an opportunity for a trusted independent supplier, I left to set up RM Solar, specialising in renewable energy products, and now RM Cylinders to offer a fresh alternative to this market domination.

RM Cylinders operates alongside RM Solar manufacturing a complete range of copper vented and Duplex stainless steel unvented cylinders, all manufactured at our purpose built factory units near Wakefield, West Yorkshire. The company is focused on quality, flexibility and market-leading customer service. Our commitment to product development will continue as we harness the latest technology to provide an additional, independent choice for our commercial and domestic customers.

On behalf of RM Cylinders, I would like to thank past customers for their continued support and would welcome the opportunity to demonstrate the company's commitment to providing the best possible products and service to new customers.

Whether we have worked with you in the past or for the first time at RM Cylinders, we never take your business for granted. I feel that's a tradition to be proud of."

**Richard Marsden
Managing Director**

Our Quality In Vision...



The RM Stelflow has carefully been brought together from quality components and has been designed with performance in mind. Using our many years of involvement within the hot water industry and our knowledge of bringing unvented cylinders to the market we have created a new standard in unvented water storage.

Stelflow offers the following advantages:

- Specially made units manufactured to your own design.
- Full range of slim units available, 60L to 210L, the units feature a diameter of only 475mm one of the slimmest on the market.
- A range of horizontal cased units.
- Coil in coil heat exchanger, giving high recovery rates.
- External expansion for reliability and flexible siting.
- Full KIWA product approval.
- Vessel constructed from Duplex Stainless Steel.
- Superior insulation values, with an ODP of 0 and GWP of 1.
- Comprehensive controls and fixing kit from leading manufacturers.

Stelflow offers peace of mind with the following guarantees:

- 25 Year vessel guarantee.
- Stainless Steel stat pocket guaranteed against corrosion.
- All other cylinder components guaranteed for 2 years.
- All units are pickled to ensure longer life.

Stelflow offers many technical benefits:

- Minimum recommended working pressure 1 bar & maximum 3 bar.
- All cylinder connections are 22mm compression.
- Minimum water supply 1.5 Bar, 20 Litres/Min.
- Primary coil circuit must be fully pumped, gravity coils are available by special order.
- All units available as vented cylinders.
- Control settings:
 1. Pressure reducing valve set at 3 Bar.
 2. Expansion relief valve set at 6 bar.
 3. Temperature and pressure relief valve at 7 bar and 90°C.
 4. High Limit stat set at 85°C

Stelflow Performance...

| | | Weight Empty (KG) | Weight Full (KG) | Full Cold Capacity (L) | Reheat Indirect Total Minutes | Reheat 3kW Immersion Minutes | Heat Exchange kW | Dedicated Solar Volume Litres | Standing Loss Cylinder kWh/day |
|-------------------------|--------------|-------------------------|---------------------|------------------------------|-------------------------------------|------------------------------------|---------------------|-------------------------------------|--------------------------------------|
| Stelflow 90 | Direct | 17 | 107 | 90 | - | 76 | - | - | 1.07 |
| | Indirect | 21 | 109 | 88 | 12 | 53 | 16.46 | - | 1.07 |
| Stelflow 120 | Direct | 21 | 141 | 120 | - | 103 | - | - | 1.23 |
| | Indirect | 25 | 143 | 118 | 16 | 80 | 16.46 | - | 1.23 |
| Stelflow 150 | Direct | 26 | 176 | 150 | - | 134 | - | - | 1.41 |
| | Indirect | 29 | 177 | 148 | 17.2 | 106 | 18.55 | - | 1.41 |
| | Direct Solar | 29 | 177 | 148 | 17.2 | 107 | 16.46 | 80 | 1.41 |
| | Solar Twin | 34 | 181 | 147 | 17.2 | 57 | 16.46 | 77 | 1.41 |
| Stelflow 180 | Direct | 28 | 208 | 180 | - | 164 | - | - | 1.53 |
| | Indirect | 33 | 211 | 178 | 20.4 | 136 | 18.55 | - | 1.53 |
| | Direct Solar | 33 | 211 | 178 | 20.4 | 129 | 18.55 | 100 | 1.53 |
| | Solar Twin | 36 | 213 | 177 | 20.4 | 80 | 18.55 | 95 | 1.53 |
| Stelflow 210 | Direct | 32 | 242 | 210 | - | 203 | - | - | 1.8 |
| | Indirect | 37 | 245 | 208 | 22 | 167 | 18.55 | - | 1.8 |
| | Direct Solar | 37 | 245 | 208 | 22 | 150 | 18.55 | 116 | 1.8 |
| | Solar Twin | 40 | 247 | 207 | 22 | 93 | 18.55 | 101 | 1.8 |
| Stelflow 250 | Direct | 39 | 289 | 250 | - | 248 | - | - | 2.15 |
| | Indirect | 43 | 291 | 248 | 25 | 213 | 22 | - | 2.15 |
| | Direct Solar | 43 | 291 | 248 | 25 | 183 | 22 | 137 | 2.15 |
| | Solar Twin | 46 | 293 | 247 | 25 | 113 | 22 | 107 | 2.15 |
| Stelflow 300 | Direct | 45 | 345 | 300 | - | 323 | - | - | 2.28 |
| | Indirect | 50 | 347 | 297 | 34 | 285 | 22 | - | 2.28 |
| | Direct Solar | 50 | 347 | 298 | 34 | 220 | 22 | 160 | 2.28 |
| | Solar Twin | 55 | 353 | 298 | 34 | 139 | 22 | 121 | 2.28 |

Available System Options...

| | Sizes Available | |
|-------------------------------|-----------------|-------------|
| | From (Litres) | To (Litres) |
| Direct Cylinders | 90 | 600 |
| Indirect Cylinders | 90 | 600 |
| Solar Direct Cylinders | 150 | 600 |
| Solar Twin Coil Cylinders | 150 | 600 |
| Triple Coil Cylinders | 210 | 600 |
| Slimline Cylinders | 60 | 210 |
| Horizontal Direct Cylinders | 150 | 600 |
| Horizontal Indirect Cylinders | 150 | 600 |
| Preplumb Indirect Cylinders | 150 | 300 |
| Preplumb Twin Coil Cylinders | 150 | 300 |

RM Mains Boost & Charger Unit...



Unvented cylinders rely on reasonable mains pressure and flow rates to provide adequate performance at the taps. In some instances water demand is so high the water supply networks struggle to provide the water flow and pressure necessary, which has a significant impact on the performance of showers and taps.

This problem can be overcome in two ways. Firstly using the RM Mainsboost accumulator to improve poor flow rates, and the RM Charger unit to boost pressure. The fully patented RM Mainsboost increases flow rates by being charged by the incoming mains supply and then awaits discharge when water is required at the tap.

The RM Charger unit, again patented, solves the problem of low water pressure without the need for large, expensive break tanks. This in simple terms, when used with the RM Mainsboost, is a pump that acts as a trickle charger to the accumulator which then acts as the battery storing the pressure for when the water is required.

| Size | Height (mm) | Diameter (mm) | Connection Size | Weight Empty |
|-----------------|-------------|---------------|------------------|--------------|
| 100L Mainsboost | 890 | 410 | 28mm Compression | 19 KG |
| 200L Mainsboost | 1030 | 535 | 28mm Compression | 34 KG |
| 240L Mainsboost | 1210 | 535 | 28mm Compression | 37 KG |
| 310L Mainsboost | 1500 | 535 | 28mm Compression | 46 KG |
| 450L Mainsboost | 1530 | 660 | 28mm Compression | 70 KG |

| Size | Height (mm) | Width (mm) | Depth (mm) | Weight |
|-----------------|-------------|------------|------------|--------|
| RM Charger Unit | 485 | 287 | 152 | 19KG |

Upstream Kit Includes: Pressure Gauge, Strainer, Double Check Valve, Pressure Reducing Valve C/W Gauge, Full Bore Isolating Valve, & Vessel Connection.

Vessel capacity is 50% of total volume.
All models supplied with upstream line in kit.
RM Mainsboost carry a 5 year warranty.

RM Easi-Fit Cylinders...

Single Zone



Twin Zone

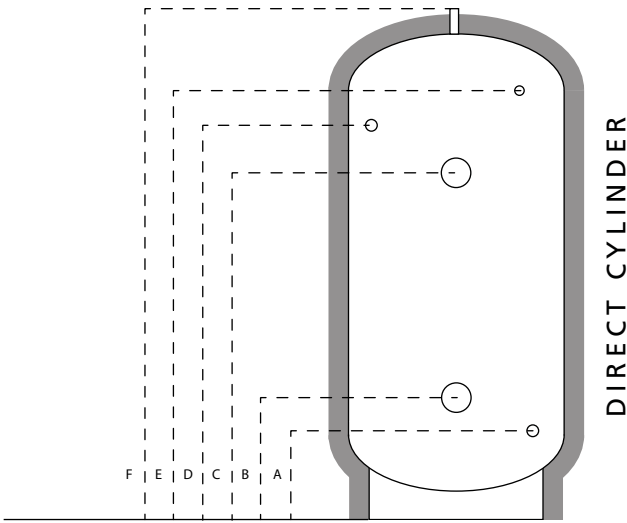


The RM Stelflow unit is also available in an upgraded plug and go pre-plumb format. This is available right across our range of units including Slimline Twin Coil & Horizontal cylinders. This makes installation much quicker and easier saving the contractor both time and money. We can also guarantee our workmanship as we have in place stringent quality checks to make sure the units arrive leak free and ready to go. All units are assembled on our premises and over seen by qualified plumbers, this also gives us scope to pre-plumb units in a bespoke way to suit a specific customers needs.

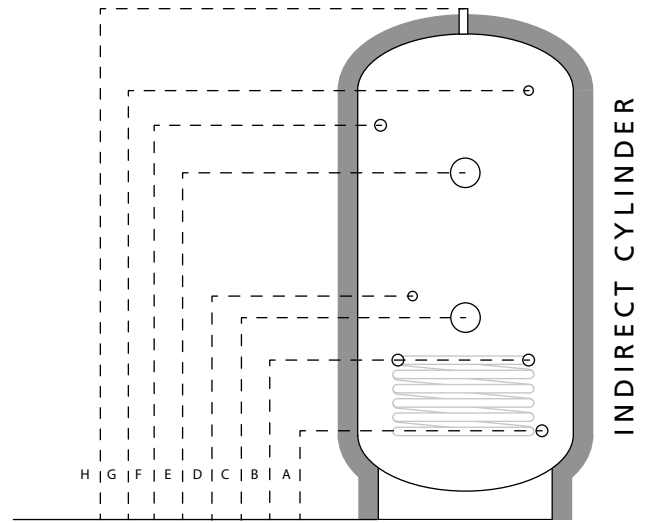
“makes installation
much quicker and
easier”

- All these benefits are available whilst remaining within our strict competitive pricing policy.
- Special pre-plumb units custom fitted to customers requirements giving ultimate flexibility.
- Dual zone control available for larger properties.
- Available in 120, 150, 180, 210, 250 and 300 litre Indirect & Twin Coil variations.
- Slimline and Horizontal cylinders.
- Supplied with automatic bypass valve fitted.
- Unit comes with seven day programmer, room thermostat and central heating expansion vessel pack.
- Easyfit plug in electrical leads and connections negates the need for an electrician on site hence removes the problem of part P registration.
- Layout allows easy access to all component parts.
- RM Cylinders only use reliable industry recognised components.

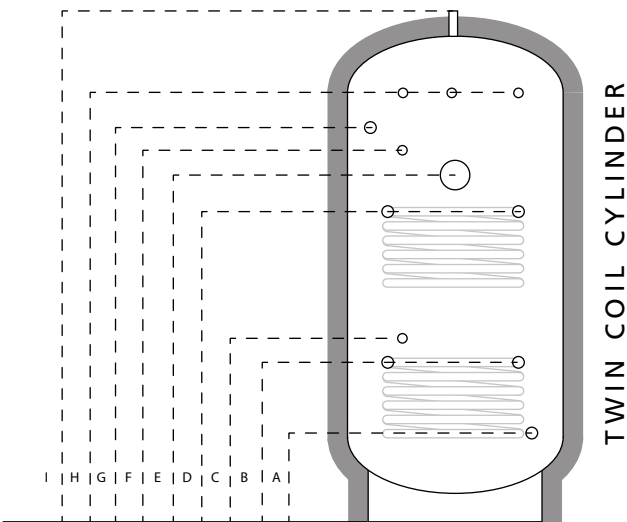
Stelflow Technical Specification...



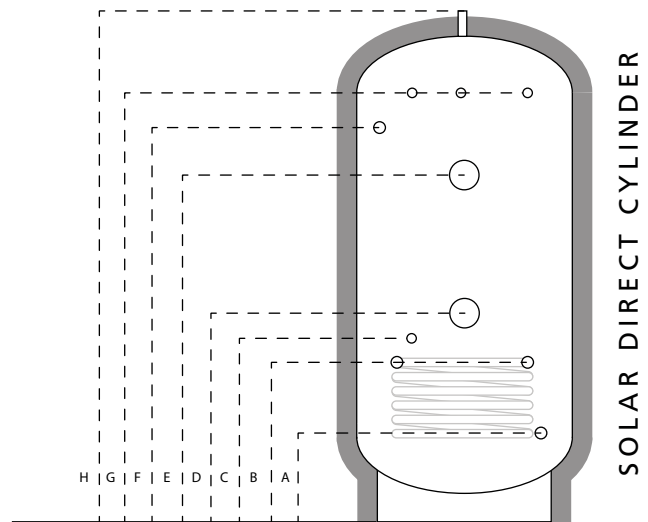
| Code | 90D | 120D | 150D | 180D | 210D | 250D | 300D |
|-------------|--------|--------|---------|---------|---------|---------|---------|
| Capacity | 90L | 120L | 150L | 180L | 210L | 250L | 300L |
| Height | 727(F) | 915(F) | 1102(F) | 1290(F) | 1478(F) | 1728(F) | 2041(F) |
| Diameter | 545 | 545 | 545 | 545 | 545 | 545 | 545 |
| Cold Inlet | 105(A) | 105(A) | 105(A) | 105(A) | 105(A) | 105(A) | 105(A) |
| Bottom Coil | - | - | - | - | - | - | - |
| Immersion | 242(B) | 242(B) | 242(B) | 242(B) | 242(B) | 242(B) | 242(B) |
| Stat Pocket | - | - | - | - | - | - | - |
| Immersion | - | 519(C) | 619(C) | 719(C) | 819(C) | 959(C) | 1109(C) |
| Sec. Return | - | - | - | - | 1009(D) | 1259(D) | 1509(D) |
| T&P Valve | 515(E) | 703(E) | 890(E) | 1078(E) | 1266(E) | 1516(E) | 1829(E) |



| Code | 90I | 120I | 150I | 180I | 210I | 250I | 300I |
|-------------|--------|--------|---------|---------|---------|---------|---------|
| Capacity | 90L | 120L | 150L | 180L | 210L | 250L | 300L |
| Height | 727(H) | 915(H) | 1102(H) | 1290(H) | 1478(H) | 1728(H) | 2041(H) |
| Diameter | 545 | 545 | 545 | 545 | 545 | 545 | 545 |
| Cold Inlet | 105(A) | 105(A) | 105(A) | 105(A) | 105(A) | 105(A) | 105(A) |
| Bottom Coil | 299(B) | 299(B) | 339(B) | 374(B) | 374(B) | 374(B) | 374(B) |
| Immersion | 339(C) | 339(C) | 379(C) | 379(C) | 414(C) | 414(C) | 414(C) |
| Stat Pocket | 354(D) | 354(D) | 394(D) | 394(D) | 474(D) | 569(D) | 669(D) |
| Immersion | - | - | - | - | - | 959(E) | 1109(E) |
| Sec. Return | - | - | - | - | 1159(F) | 1409(F) | 1609(F) |
| T&P Valve | 515(G) | 703(G) | 890(G) | 1078(G) | 1266(G) | 1516(G) | 1829(G) |

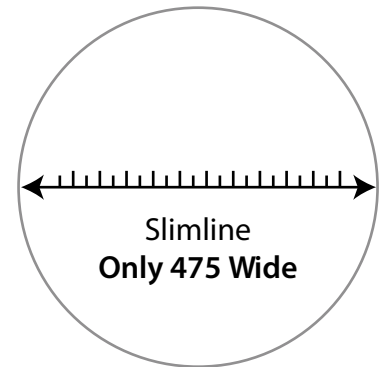


| Code | 90T | 120T | 150T | 180T | 210T | 250T | 300T |
|----------------|-----|------|---------|---------|---------|---------|---------|
| Capacity | - | - | 150L | 180L | 210L | 250L | 300L |
| Height | - | - | 1102(I) | 1290(I) | 1478(I) | 1728(I) | 2041(I) |
| Diameter | - | - | 545 | 545 | 545 | 545 | 545 |
| Cold Inlet | - | - | 105(A) | 105(A) | 105(A) | 105(A) | 105(A) |
| Bottom Coil | - | - | 299(B) | 299(B) | 374(B) | 374(B) | 374(B) |
| Stat Pocket | - | - | 354(C) | 354(C) | 429(C) | 429(C) | 429(C) |
| Immersion | - | - | - | - | - | - | - |
| Top Coil | - | - | 651(D) | 675(D) | 789(D) | 863(D) | 989(D) |
| Immersion | - | - | 702(E) | 734(E) | 839(E) | 914(E) | 1039(E) |
| Stat Pocket | - | - | 706(F) | 738(F) | 843(F) | 918(F) | 1043(F) |
| Sec. Return | - | - | - | - | 1159(G) | 1409(G) | 1609(G) |
| T&P Valve/Stat | - | - | 890(H) | 1078(H) | 1266(H) | 1516(H) | 1829(H) |



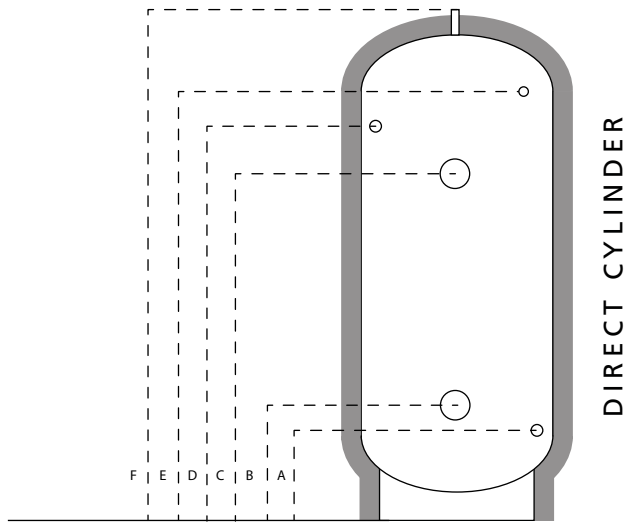
| Code | 90DS | 120DS | 150DS | 180DS | 210DS | 250DS | 300DS |
|----------------|------|-------|---------|---------|---------|---------|---------|
| Capacity | - | - | 150L | 180L | 210L | 250L | 300L |
| Height | - | - | 1102(H) | 1290(H) | 1478(H) | 1728(H) | 2041(H) |
| Diameter | - | - | 545 | 545 | 545 | 545 | 545 |
| Cold Inlet | - | - | 105(A) | 105(A) | 105(A) | 105(A) | 105(A) |
| Bottom Coil | - | - | 299(B) | 299(B) | 374(B) | 374(B) | 374(B) |
| Stat Pocket | - | - | 354(C) | 354(C) | 429(C) | 429(C) | 429(C) |
| Immersion | - | - | 399(D) | 454(D) | 509(D) | 584(D) | 679(D) |
| Top Coil | - | - | - | - | - | - | - |
| Immersion | - | - | 619(E) | 719(E) | 819(E) | 959(E) | 1109(E) |
| Stat Pocket | - | - | - | - | - | - | - |
| Sec. Return | - | - | - | - | 1159(F) | 1409(F) | 1609(F) |
| T&P Valve/Stat | - | - | 890(G) | 1078(G) | 1266(G) | 1516(G) | 1829(G) |

Stelflow Slimline Cylinders...



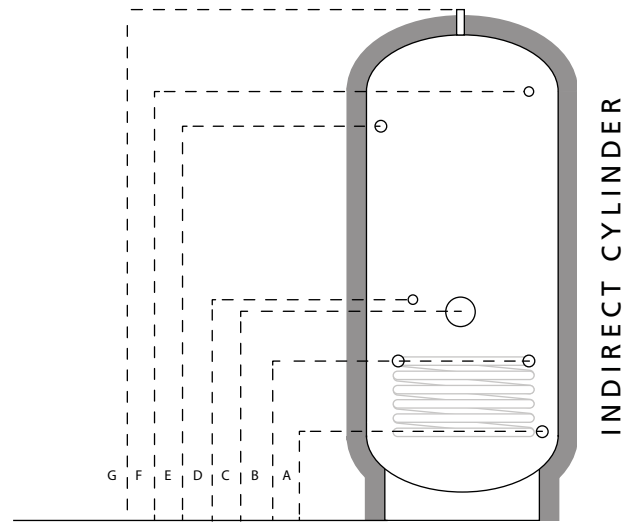
| | | Weight Empty (KG) | Weight Full (KG) | Full Cold Capacity (L) | Reheat Indirect Total Minutes | Reheat 3kW Immersion Minutes | EN12897 Heat Exchange kW | Dedicated Solar Volume Litres | Standing Loss Cylinder kWh/day |
|------------------------------|--------------|-------------------|------------------|------------------------|-------------------------------|------------------------------|--------------------------|-------------------------------|--------------------------------|
| Stelflow Slimline 60 | Direct | 21 | 81 | 60 | - | 46 | - | - | 0.99 |
| | Indirect | 23 | 81 | 58 | 9 | 30 | 16.2 | - | 0.99 |
| Stelflow Slimline 90 | Direct | 25 | 115 | 90 | - | 77 | - | - | 1.2 |
| | Indirect | 27 | 115 | 88 | 13 | 54 | 16.2 | - | 1.2 |
| Stelflow Slimline 120 | Direct | 31 | 151 | 120 | - | 104 | - | - | 1.4 |
| | Indirect | 36 | 154 | 118 | 17 | 81 | 16.2 | - | 1.4 |
| Stelflow Slimline 150 | Direct | 39 | 189 | 150 | - | 135 | - | - | 1.6 |
| | Indirect | 45 | 193 | 148 | 18 | 107 | 18.35 | - | 1.6 |
| | Direct Solar | 47 | 193 | 148 | 18 | 108 | 16.2 | 80 | 1.6 |
| | Solar Twin | 49 | 194 | 147 | 18 | 59 | 16.2 | 77 | 1.6 |
| Stelflow Slimline 180 | Direct | 45 | 225 | 180 | - | 165 | - | - | 1.9 |
| | Indirect | 50 | 228 | 178 | 22 | 137 | 18.35 | - | 1.9 |
| | Direct Solar | 53 | 228 | 178 | 22 | 130 | 18.35 | 100 | 1.9 |
| | Solar Twin | 55 | 230 | 177 | 22 | 81 | 18.35 | 95 | 1.9 |
| Stelflow Slimline 210 | Direct | 48 | 258 | 210 | - | 205 | - | - | 2.16 |
| | Indirect | 53 | 261 | 208 | 24 | 168 | 21 | - | 2.16 |
| | Direct Solar | 55 | 261 | 208 | 24 | 151 | 21 | 116 | 2.16 |
| | Solar Twin | 58 | 264 | 207 | 24 | 95 | 21 | 101 | 2.16 |

Slimline Technical Specification...



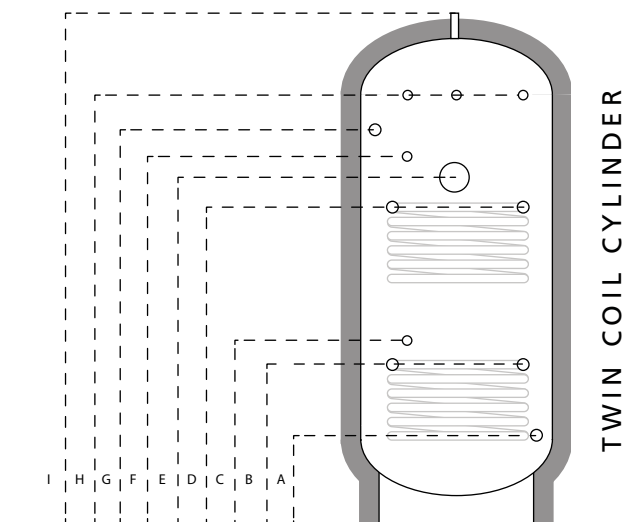
DIRECT CYLINDER

| Code | 60SD | 90D | 120SD | 150SD | 180SD | 210SD |
|-------------|--------|--------|---------|---------|---------|---------|
| Capacity | 60L | 90L | 120L | 150L | 180L | 210L |
| Height | 645(F) | 930(F) | 1195(F) | 1470(F) | 1735(F) | 1980(F) |
| Diameter | 475 | 475 | 475 | 475 | 475 | 475 |
| Cold Inlet | 105(A) | 105(A) | 105(A) | 105(A) | 105(A) | 105(A) |
| Bottom Coil | - | - | - | - | - | - |
| Immersion | 223(B) | 223(B) | 223(B) | 223(B) | 223(B) | 223(B) |
| Immersion | - | - | 733(C) | 916(C) | 1093(C) | 1256(C) |
| Sec. Return | - | - | - | - | - | 1676(D) |
| T&P Valve | 448(E) | 733(E) | 998(E) | 1273(E) | 1538(E) | 1783(E) |



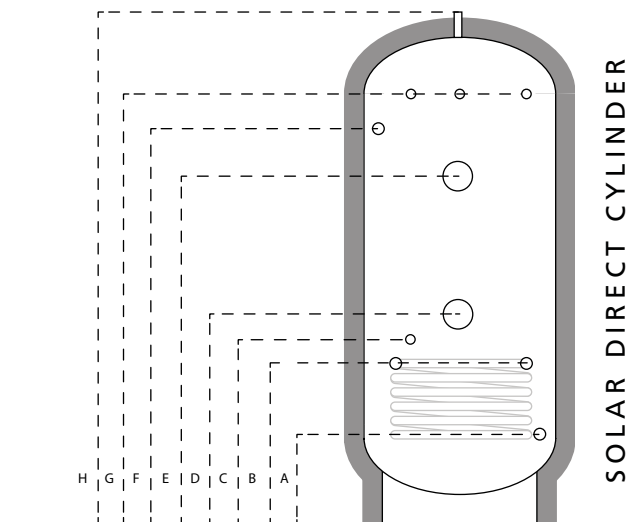
INDIRECT CYLINDER

| Code | 60SI | 90SI | 120SI | 150SI | 180SI | 210SI |
|-------------|--------|--------|---------|---------|---------|---------|
| Capacity | 60L | 90L | 120L | 150L | 180L | 210L |
| Height | 645(G) | 930(G) | 1195(G) | 1470(G) | 1735(G) | 1980(G) |
| Diameter | 475 | 475 | 475 | 475 | 475 | 475 |
| Cold Inlet | 105(A) | 105(A) | 105(A) | 105(A) | 105(A) | 105(A) |
| Bottom Coil | 299(B) | 299(B) | 299(B) | 339(B) | 339(B) | 374(B) |
| Immersion | 339(C) | 339(C) | 379(C) | 379(C) | 414(C) | 414(C) |
| Stat Pocket | 354(D) | 354(D) | 354(D) | 394(D) | 394(D) | 474(D) |
| Sec. Return | - | - | - | - | - | 1676(E) |
| T&P Valve | 448(F) | 733(F) | 998(F) | 1273(F) | 1538(F) | 1783(F) |



TWIN COIL CYLINDER

| Code | 60ST | 90ST | 120ST | 150ST | 180ST | 210ST |
|----------------|------|------|-------|---------|---------|---------|
| Capacity | - | - | - | 150L | 180L | 210L |
| Height | - | - | - | 1470(I) | 1735(I) | 1980(I) |
| Diameter | - | - | - | 475 | 475 | 475 |
| Cold Inlet | - | - | - | 105(A) | 105(A) | 105(A) |
| Bottom Coil | - | - | - | 280(B) | 280(B) | 355(B) |
| Stat Pocket | - | - | - | 335(C) | 335(C) | 410(C) |
| Immersion | - | - | - | - | - | - |
| Top Coil | - | - | - | 632(D) | 676(D) | 770(D) |
| Immersion | - | - | - | 683(E) | 715(E) | 820(E) |
| Stat Pocket | - | - | - | 687(F) | 719(F) | 824(F) |
| Sec. Return | - | - | - | - | - | 1563(G) |
| T&P Valve/Stat | - | - | - | 1273(H) | 1538(H) | 1783(H) |



SOLAR DIRECT CYLINDER

| Code | 60SDS | 90SDS | 120SDS | 150SDS | 180SDS | 210SDS |
|----------------|-------|-------|--------|---------|---------|---------|
| Capacity | - | - | - | 150L | 180L | 210L |
| Height | - | - | - | 1470(H) | 1735(H) | 1980(H) |
| Diameter | - | - | - | 475 | 475 | 475 |
| Cold Inlet | - | - | - | 105(A) | 105(A) | 105(A) |
| Bottom Coil | - | - | - | 280(B) | 280(B) | 355(B) |
| Stat Pocket | - | - | - | 320(C) | 320(C) | 395(C) |
| Immersion | - | - | - | 335(D) | 335(D) | 445(D) |
| Top Coil | - | - | - | - | - | - |
| Immersion | - | - | - | 916(E) | 1093(E) | 1256(E) |
| Stat Pocket | - | - | - | - | - | - |
| Sec. Return | - | - | - | - | - | 1676(G) |
| T&P Valve/Stat | - | - | - | 1273(H) | 1538(H) | 1783(H) |

RM Calorifiers...



RM Cylinders have now launched the first phase of its Calorifier Unvented range. Sizes start from 350 litres to 600 litres.

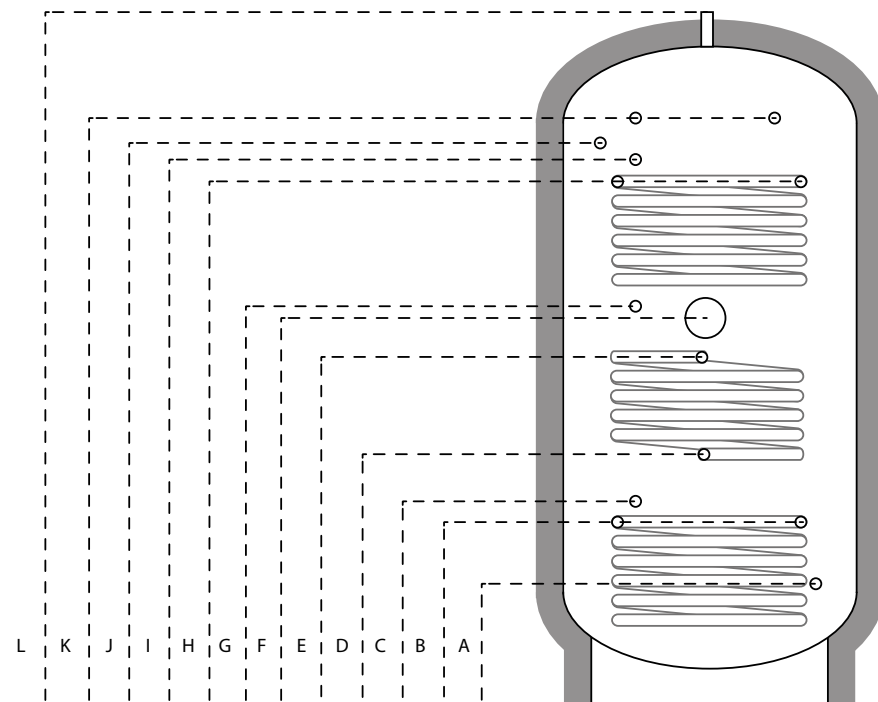
These units are available in the following variations:

- Direct
- Indirect
- Twin Coil
- Triple Coil
- Direct Solar
- Horizontals

These units come white cased or with a foam lagged finish, and come with standard 1" cold feed & hot draw off as well as 1" cold inlet set. We also offer upto 2" connections & valves.

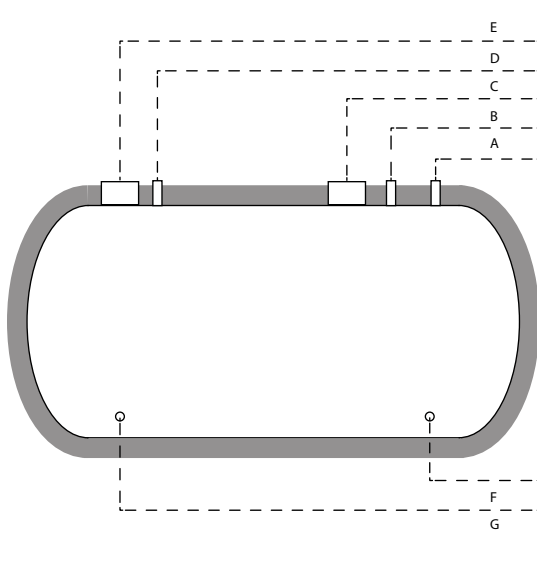
Coming Soon Calorifier Units Upto 1000 Litres.

RM Triple Coil Cylinders...



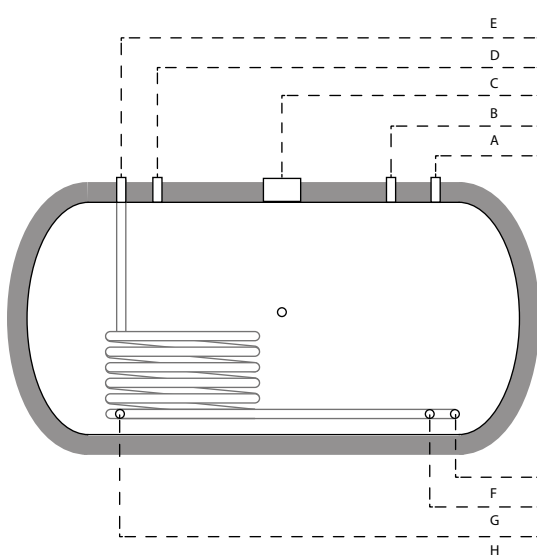
| Code | 210TR | 250TR | 300TR |
|---------------------|---------|---------|---------|
| Capacity | 210L | 250L | 300L |
| Height | 1478(L) | 1728(L) | 2041(L) |
| Diameter | 545 | 545 | 545 |
| Cold Inlet | 105(A) | 105(A) | 105(A) |
| Bottom Coil | 299(B) | 374(B) | 374(B) |
| Stat Pocket | 354(C) | 429(C) | 429(C) |
| Middle Gravity Coil | 412(D) | 553(D) | 659(D) |
| Middle Gravity Coil | 692(E) | 833(E) | 939(E) |
| Immersion Heater | 762(F) | 942(F) | 1039(F) |
| Stat Pocket 2 | 822(G) | 947(G) | 1043(G) |
| Top Coil | 1122(H) | 1311(H) | 1464(H) |
| Stat Pocket 3 | 1172(I) | 1393(I) | 1519(I) |
| Secondary Return | 1182(J) | 1409(J) | 1609(J) |
| T&P / Stat Pocket | 1242(K) | 1516(K) | 1829(K) |

Stelflow Horizontal Cylinders...



Direct Horizontal Stelflow Cylinder

| Code | 120HD | 150HD | 180HD | 210HD | 250HD | 300HD |
|---------------|--------|--------|--------|---------|---------|---------|
| Capacity | 120L | 150L | 180L | 210L | 250L | 300L |
| Length | 941 | 1128 | 1316 | 1504 | 1754 | 2067 |
| Diameter | 545 | 545 | 545 | 545 | 545 | 545 |
| Hot Draw Off | 215(A) | 215(A) | 215(A) | 215(A) | 215(A) | 215(A) |
| T&P Valve | 311(B) | 311(B) | 311(B) | 311(B) | 311(B) | 311(B) |
| Immersion 1 | 420(C) | 420(C) | 420(C) | 420(C) | 420(C) | 420(C) |
| Sec. Return | - | - | - | 974(D) | 1224(D) | 1537(D) |
| Boiler Flow | - | - | - | - | - | - |
| Boiler Return | - | - | - | - | - | - |
| Immersion 2 | 571(E) | 758(E) | 946(E) | 1134(E) | 1384(E) | 1697(E) |
| Drain Valve | 291(F) | 291(F) | 291(F) | 291(F) | 291(F) | 291(F) |
| Cold Feed | 571(G) | 758(G) | 946(G) | 1134(G) | 1384(G) | 1697(G) |



Indirect Horizontal Stelflow Cylinder

| Code | 120ID | 150ID | 180ID | 210ID | 250ID | 300ID |
|---------------|--------|--------|---------|---------|---------|---------|
| Capacity | 120L | 150L | 180L | 210L | 250L | 300L |
| Length | 941 | 1128 | 1316 | 1504 | 1754 | 2067 |
| Diameter | 545 | 545 | 545 | 545 | 545 | 545 |
| Hot Draw Off | 215(A) | 215(A) | 215(A) | 215(A) | 215(A) | 215(A) |
| T&P Valve | 311(B) | 311(B) | 311(B) | 311(B) | 311(B) | 311(B) |
| Immersion 1 | 470(C) | 564(C) | 658(C) | 752(C) | 877(C) | 1033(C) |
| Sec. Return | - | - | - | 974(D) | 1224(D) | 1537(D) |
| Boiler Flow | 711(E) | 898(E) | 1086(E) | 1274(E) | 1524(E) | 1837(E) |
| Boiler Return | 211(F) | 211(F) | 211(F) | 211(F) | 211(F) | 211(F) |
| Immersion 2 | - | - | - | - | - | - |
| Drain Valve | 291(G) | 291(G) | 291(G) | 291(G) | 291(G) | 291(G) |
| Cold Feed | 571(H) | 758(H) | 946(H) | 1134(H) | 1384(H) | 1697(H) |

RM Kit Listings...

Direct Cylinder Kit Listing

| Product | 90L | 120L | 150L | 180L | 210L | 250L | 300L |
|-------------------------------|-----|------|------|------|------|------|------|
| Cold Water Inlet Set | 1 | 1 | 1 | 1 | 1 | 1 | 1 |
| 15x22mm Tundish | 1 | 1 | 1 | 1 | 1 | 1 | 1 |
| Temperature & Pressure Relief | 1 | 1 | 1 | 1 | 1 | 1 | 1 |
| Expansion Vessel | 12L | 12L | 12L | 12L | 18L | 18L | 24L |
| Expansion Vessel Bracket | 1 | 1 | 1 | 1 | 1 | 1 | 1 |
| Expansion Vessel Hose | 1 | 1 | 1 | 1 | 1 | 1 | 1 |
| Immersion Heater | 1 | 2 | 2 | 2 | 2 | 2 | 2 |
| 2 Port Zone Valve | 0 | 0 | 0 | 0 | 0 | 0 | 0 |
| Dual Thermostat | 0 | 0 | 0 | 0 | 0 | 0 | 0 |
| Energy Cut Out Thermostat | 0 | 0 | 0 | 0 | 0 | 0 | 0 |
| Plastic Grommet | 0 | 0 | 0 | 0 | 0 | 0 | 0 |
| Wiring Centre | 0 | 0 | 0 | 0 | 0 | 0 | 0 |
| Instruction Manual | 1 | 1 | 1 | 1 | 1 | 1 | 1 |

Indirect Cylinder Kit Listing

| Product | 90L | 120L | 150L | 180L | 210L | 250L | 300L |
|-------------------------------|-----|------|------|------|------|------|------|
| Cold Water Inlet Set | 1 | 1 | 1 | 1 | 1 | 1 | 1 |
| 15x22mm Tundish | 1 | 1 | 1 | 1 | 1 | 1 | 1 |
| Temperature & Pressure Relief | 1 | 1 | 1 | 1 | 1 | 1 | 1 |
| Expansion Vessel | 12L | 12L | 12L | 12L | 18L | 18L | 24L |
| Expansion Vessel Bracket | 1 | 1 | 1 | 1 | 1 | 1 | 1 |
| Expansion Vessel Hose | 1 | 1 | 1 | 1 | 1 | 1 | 1 |
| Immersion Heater | 1 | 1 | 1 | 1 | 1 | 2 | 2 |
| 2 Port Zone Valve | 1 | 1 | 1 | 1 | 1 | 1 | 1 |
| Dual Thermostat | 1 | 1 | 1 | 1 | 1 | 1 | 1 |
| Energy Cut Out Thermostat | 0 | 0 | 0 | 0 | 0 | 0 | 0 |
| Plastic Grommet | 0 | 0 | 0 | 0 | 0 | 0 | 0 |
| Wiring Centre | 1 | 1 | 1 | 1 | 1 | 1 | 1 |
| Instruction Manual | 1 | 1 | 1 | 1 | 1 | 1 | 1 |

Solar Twin Coil Kit Listing

| Product | 150L | 180L | 210L | 250L | 300L |
|-------------------------------|------|------|------|------|------|
| Cold Water Inlet Set | 1 | 1 | 1 | 1 | 1 |
| 15x22mm Tundish | 1 | 1 | 1 | 1 | 1 |
| Temperature & Pressure Relief | 1 | 1 | 1 | 1 | 1 |
| Expansion Vessel | 12L | 12L | 18L | 18L | 24L |
| Expansion Vessel Bracket | 1 | 1 | 1 | 1 | 1 |
| Expansion Vessel Hose | 1 | 1 | 1 | 1 | 1 |
| Immersion Heater | 1 | 1 | 1 | 1 | 1 |
| 2 Port Zone Valve | 1 | 1 | 1 | 1 | 1 |
| Dual Thermostat | 1 | 1 | 1 | 1 | 1 |
| Energy Cut Out Thermostat | 1 | 1 | 1 | 1 | 1 |
| Plastic Grommet | 1 | 1 | 1 | 1 | 1 |
| Wiring Centre | 1 | 1 | 1 | 1 | 1 |
| Instruction Manual | 1 | 1 | 1 | 1 | 1 |

RM EnviroCyl - Air Source & Ground Source Unit...



RM Cylinders also offer a now well established EnviroCyl cylinder range. These systems encompass all the benefits of stored unvented hot water in a Stainless Steel vessel while using plate to plate heat transfer to give exceptional performance.

The system is built around a specially designed Stelflow Cylinder which still comes with a 25 year guarantee.

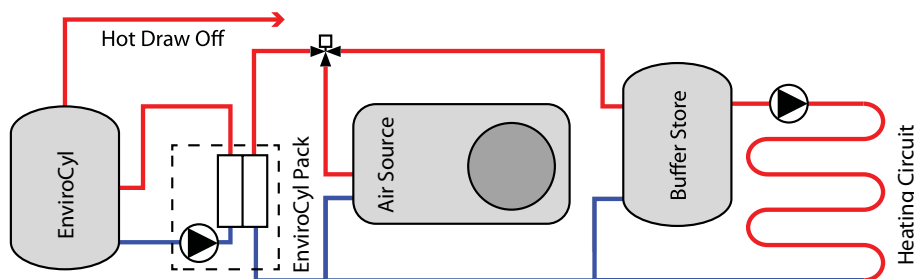
Most indirect cylinders are designed for use with space heating boilers and their heat exchanger coils are optimised for primary flow temperatures in the region of 80°C. When using heat pumps the maximum available primary flow temperatures are often well below this level.

The majority of Air Source and Ground Source heat pumps will only give a maximum flow temperature of around 50°C, some will go up to 60°C but this is usually accompanied by a fall in the coefficient of performance (COP) to a level where the overall efficiency may be significantly compromised.

For traditional boiler applications the most popular form of heat exchanger is the coil type. In the main these coils are unsuitable to cope with the lower flow temperatures and the cyclical way Heat Pumps operate. The plate heat exchanger method offers a viable solution, which still allows for the delivery of mains pressure hot water from a stainless steel, 25 year guaranteed vessel.

RM EnviroCyl System Advantages...

- Heat transfer rates at a low primary temperature of typically twice that of a standard coil.
- Prevents excessive cycling of the heat pump thus improving efficiency and reducing wear and tear due to stop start operation.
- Allows the stored water to be brought up within a couple of degrees of the flow temperature without cycling.
- Improves stratification within the hot water.
- Heat transfer can be tuned to match the heat pump by varying the secondary flow rate.
- In hard water areas allows the heat exchanger to be descaled or replaced easily.
- The cylinders have an ODP of 0 & a GWP of 1.

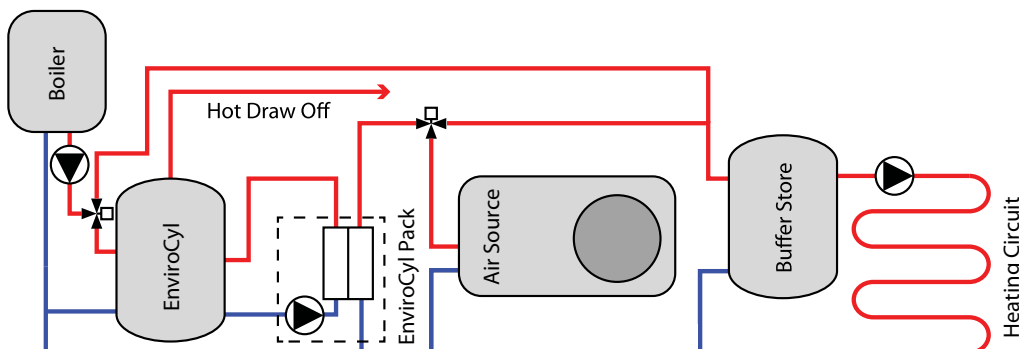
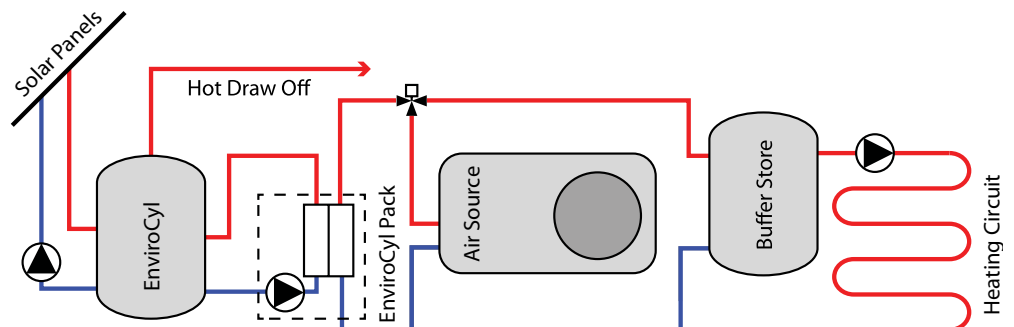


HEATPUMP

This method of piping allows the EnviroCyl cylinder to be used on its own in conjunction with a buffer store for space heating applications.

HEATPUMP & SOLAR

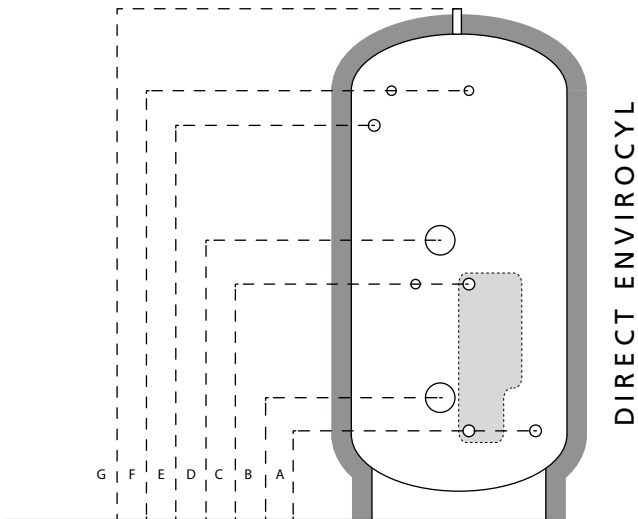
This method of piping allows the EnviroCyl cylinder to be used in conjunction with solar panels as well as a buffer store for space heating.



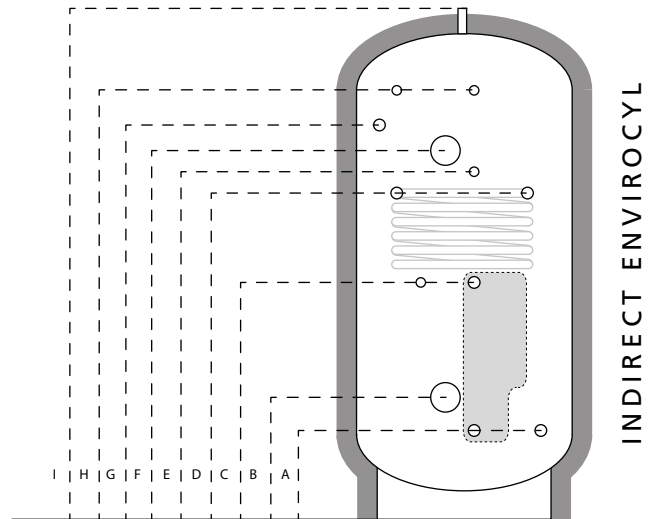
HEATPUMP & BOILER

This method of piping allows the EnviroCyl cylinder to be used in conjunction with a boiler that will contribute along side the Air Source to space heating.

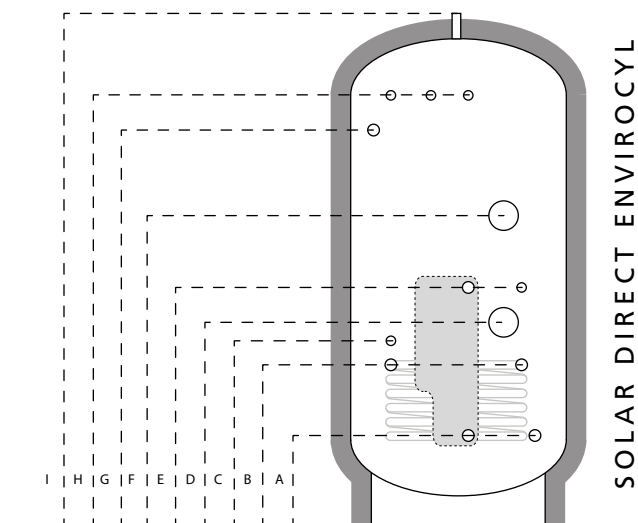
RM Envirocyl Specification...



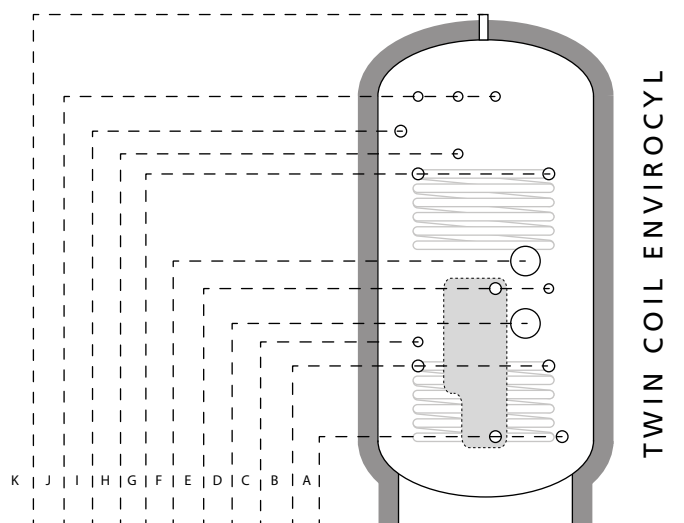
| Size | A | B | C | D | E | F | G |
|------|-----|-----|-----|------|------|------|------|
| 150 | 192 | 222 | 692 | 742 | n/a | 890 | 1102 |
| 180 | 192 | 222 | 692 | 742 | n/a | 1078 | 1290 |
| 210 | 192 | 222 | 692 | 819 | 1159 | 1266 | 1478 |
| 250 | 192 | 222 | 692 | 959 | 1409 | 1516 | 1728 |
| 300 | 192 | 222 | 692 | 1109 | 1609 | 1829 | 2041 |



| Size | A | B | C | D | E | F | G | H | I |
|------|-----|-----|-----|------|------|------|------|------|------|
| 210 | 192 | 222 | 692 | 1039 | 1079 | n/a | n/a | 1266 | 1478 |
| 250 | 192 | 222 | 692 | 1139 | 1179 | 1259 | 1409 | 1516 | 1728 |
| 300 | 192 | 222 | 692 | 1139 | 1179 | 1349 | 1609 | 1829 | 2041 |



| Size | A | B | C | D | E | F | G | H | I |
|------|-----|-----|-----|-----|-----|------|------|------|------|
| 250 | 192 | 374 | 470 | 530 | 692 | 1109 | 1409 | 1516 | 1728 |
| 300 | 192 | 374 | 470 | 530 | 692 | 1109 | 1609 | 1829 | 2041 |



| Size | A | B | C | D | E | F | G | H | I | J | K |
|------|-----|-----|-----|-----|-----|------|------|------|------|------|------|
| 250 | 192 | 374 | 470 | 530 | 692 | 1109 | 1409 | 1516 | 1409 | 1516 | 1728 |
| 300 | 192 | 374 | 470 | 530 | 692 | 1109 | 1609 | 1829 | 1609 | 1829 | 2041 |

Made In Stainless...

Once again RM Cylinders has pushed the boundaries of whats possible even further leaving the competition the catch up once again.

Using the state of the art production facility RM Cylinders can now produce bespoke Stainless Steel Vented & Unvented units. Tapping sizes and hights can now be changed to suit your application giving you flexibility without compromise.

When altering inlet and outlet connections we can even provide corresponding control kits meaning you still end up with a complete packaged solution, leaving nothing to chance.

Below offers a small sample of just some of the units that we can produce:

- Connections in male & female up to 2"
- Fully cased regardless of design
- Extra connections
- Extra Immersion Heaters
- 3, 6, 9, &12 kW immersion heater options
- Up to 2" cold water inlet sets
- Units availabe in vented or unvented options



To discuss your requirements please call:

01924 22 89 99

Or Fax your requirements to:

01924 22 89 90

Systems By Design...

Domestic Heating Design Limited (DHD) are an independent heating & plumbing design company. We provide design packages to the new build domestic market, catering for all properties from the self build up to large sites for the major house builders throughout the UK, involving all types of heating systems, including solar & heat pumps.

DHD are funded by the manufacturers of the equipment specified and RM Solar are one of the major contributors to this design process. This method of funding allows DHD to provide all design packages free of charge to the end user, whether that is the plumbing contractor, developer, housing association or merchant.

Due to the increasing convergence of SAP calculations and heating designs, DHD now provide a SAP service that runs along side the long standing heating design business, to offer all our customers to option of the complete package, simplifying the entire process and ensuring accuracy of both aspects.

For more details of the services DHD offer, please contact Neil Stone on:

01536 52 28 61

Or Email your requirements to:

neil@dhdLtd.co.uk

RM Aquastel Vented Units...



RM Cylinders is proud to announce the future of vented hot water storage with its new RM Aquastel range of cylinders.

Manufactured from Duplex Stainless Steel the Aquastel unit has many unique advantages over conventional copper cylinders. It blends perfectly technological advances in manufacturing with standard layouts of traditional copper cylinders making them perfect for replacements for anyone looking to replace their domestic hot water system.

- Volume equivalent for a standard copper cylinder.
- Tapping heights same as British Standard 1566 so ideal for replacements. No need to change the pipework.
- Complies with part L of building regulations.
- British standard foam lagging.
- Extended cylinder connections so no foam cutaway required, all connections fully insulated to further reduce heat loss.
- Not as high risk of theft.
- Available in 12" 14" 15" 16" 18" 20" diameters.
- Direct & indirect E7 Horizontal & Twin Coil models.

Aquastel

10 Year Guarantee

22mm Compression Fittings

Price Less Vulnerable To Material Fluctuations

All Joints Welded - So No Leaks

Leading Copper Brands

2 Year Guarantee

1" Male & Female Fittings

Copper Subject To High Fluctuations

Some Joints Glued - Susceptible To Leaks



Made In Copper...



RM Cylinders prides itself in its flexibility and service, while manufacturing all the industry standard units, we also excel in producing specially designed units to suit a customers requirements.

Cylinders can also be made in various grades to take into account differing working heads, link this to the varying diameters, 300mm through to 800mm, which gives you overwhelming choice of units.

To discuss your requirements please call:

01924 22 89 99

Or Fax your requirements to:

01924 22 89 90

Below offers a small sample of just some of the units that we can produce:

- Standard indirect and direct (Part L) cylinders.
- Direct and indirect combination tanks.
- Economy 7 cylinders and combination tanks.
- Automatic (single feed) cylinders & combination tanks.
- Twin coil cylinders.
- Solar cylinders.
- Thermal store (vented mainspressure) cylinders and combination tanks.
- Horizontal cylinders complete with cradles.
- Multicoil high recovery cylinders.
- Cylinders available in grades 1, 2, & 3.
- Flatbak white cased combination units.
- Formpak framed combination units.

The RM Express Service...



RM Express provides the customer with the ultimate service in cylinder creation, providing quality custom made cylinders in only 24 hours. This premium service doesn't carry a premium price tag either, and still boasts great value for money. From the moment the merchant first places their enquiry we work hard to make sure that we are in position to be able to make a quick turn around on your order.

The service begins when you complete one of our easy to understand fax back forms. The merchant faxes this form back for a quick decision on feasibility and price.

Once the price has been confirmed and the order placed it immediately goes into the state of the art factory where skilled workers get to work on creating exactly what you require.

Once complete your order is then transferred to our premium carrier for next day delivery.

At RM Cylinders you are not limited to standard choices with your

vented cylinders, we do all grades and all variations and still deliver within 24 hours, whats more **our cut off time for next delivery is 1:30PM - That's half an hour later than the next closest competitor.**

Please call one of our team today for expert advice, pricing, and ordering your special one off cylinders.

Call or fax free on:
0800 218 2 218

The following is just a small taster of what we can offer you:

- Next day delivery.
- Any specification cylinders.
- Specialised heat exchangers.
- Custom tapping and connections.
- Specification driven designs.
- Dedicated solar cylinders.
- Advice and peace of mind.



FM532921 *

* Scope of registration: The manufacture and supply of copper cylinders and hot water storage vessels.



Also Available:
Solar Panel Systems

RM Cylinders

4 Valencia Park • Gilcar Way
Wakefield Europort • Castleford
West Yorkshire WF10 5QS

Tel: 01924 228 999

Fax: 01924 228 990

email: sales@rmcylinders.com

www.rmcylinders.com