



# Terrier

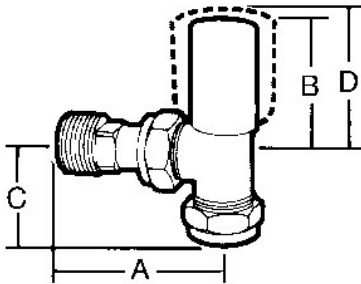
## Lockshield Radiator Valve Angle Pattern for copper

367 LS



Size	Pattern No.	Pack 1 Qty	Pack 2 Qty	Code	Barcode	Price (£) ex VAT
8mmx1/2	367 LS	1	10	601012	5013866017599	£12.58
10mmx1/2	367 LS	1	10	601016	5013866017605	£12.58
15mmx1/2	367 LS	1	10	601018	5013866017612	£12.58
8mmx1/2	367 CPLS	1	10	601032	5013866017650	£14.01
10mmx1/2	367 CPLS	10	0	601036	5013866017667	£14.01
15mmx1/2	367 CPLS	10	0	601038	5013866017674	£14.01
15mmx1/2	367 CPLS IC	10	0	601128	5013866030093	POA

367 LS



Code	Description	A	B	C	D
601012	1/2X8MM 367NEW LS TERRIER ANG RAD VLV	62	52	26	N/A
601016	1/2X10MM 367NEW LS TERRIER ANG RAD VLV	62	52	29	N/A
601018	1/2X15MM 367NEW LS TERRIER ANG RAD VLV	62	52	29	N/A
601032	1/2X8MM 367NEW CP LS TERR ANG RAD VLV	62	52	26	N/A
601036	1/2X10MM 367NEW CP LS TERR ANG RAD VLV	62	52	29	N/A
601038	1/2X15MM 367NEW CP LS TERR ANG RAD VLV	62	52	29	N/A
601128					

Pegler Yorkshire reserve the right to change specifications

### Thermostatic and Manual Radiator Valves

#### Pegler Yorkshire Customcare 5 Year Guarantee - Terms & Conditions

Products are subject to a 5 year guarantee that is between Pegler Yorkshire and the final purchaser of the product.

The guarantee is subject to proof of purchase being supplied.

This guarantee does not affect any statutory rights the consumer may have in law.

The guarantee covers manufacturing or material defects and is not applicable where the product is fitted contrary to conditions of use in our literature.

The guarantee is subject to the following limitations:

1. The valves are designed for use only in an indirect open-vented or sealed water-filled central heating and/or indirect hot water system and for no other purpose.
2. They must be used within the pressure and temperature limits stated in the technical information table below.

Operating Conditions (Maximum)  
System Water Temperature (at 5bar) : 120 °C  
Operating pressure (at 65 oC) :10 bar

3. Under no circumstances must they be used to in systems containing liquids or solutions other than water. The only exception is the addition of a proprietary central heating corrosion inhibitor, cleaner or anti-freeze to the system water in accordance with the manufacturer's instructions.

4. Damage caused by abusive behaviour and accidental damage to the product are not covered by this guarantee

The extent of Pegler Yorkshire liability is limited to the cost of the replacement of the defective item and not to fitting or consequential damages.

Description	Minimum Operating Pressure (bar)	Maximum Cold Working Pressure (bar)	Maximum Hot Working Pressure (bar)
367 LS Angle Pattern	No Minimum Operating Pressure	10.0 bar at temperatures up to 120oC	Not Suitable for Maximum Hot Working Pressure

**Care**

No regular aesthetic care is required for this product

**Maintenance**

No regular maintenance is required for this product.

For any further help please contact the Service Support Team on: 0800 1560050.

**Regulations**

Terrier manual radiator valves are generally approved to BS2767-10. For valves with compression connections, the connections are approved to BS EN1254-2; threaded connections comply with BS 21 or BS 2779.

They are designed for use only in an indirect open-vented or sealed water-filled central heating and/or indirect hot water system and for no other purpose.

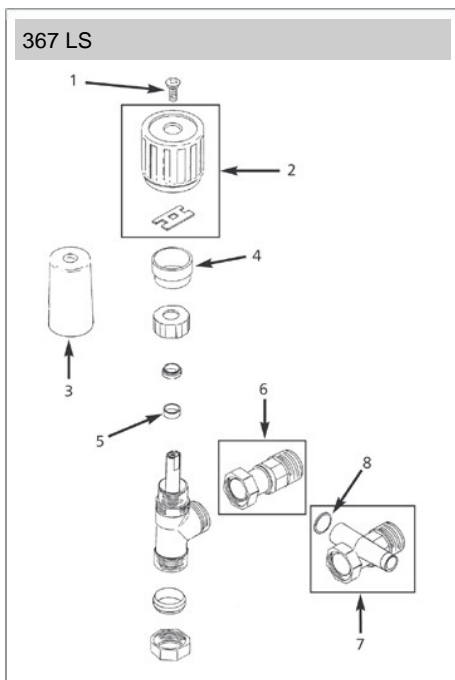
They must be used within the pressure and temperature limits stated in the technical information table below.

Operating Conditions	Maximum
System Water Temperature (at 5bar)	120°C
Operating pressure (at 65°C)	10 bar

Under no circumstances must they be used in systems containing liquids or solutions other than water. The only exception is the addition of a proprietary central heating corrosion inhibitor, cleaner or anti-freeze to the system water in accordance with the manufacturer's instructions.

Terrier heating controls are manufactured to a strict quality assurance system in accordance with ISO 9000: 2001

Component	Material
Body	Forged Brass (LS) Forged Brass Chrome Plated (CPLS)
Head	Brass Bar
Spindle/Valve	Brass Bar
Glandnut/Gland	Brass Bar
Adapter	Forged Brass (LS) Forged Brass Chrome Plated (CPLS)
Capnut	Forged Brass (LS) Forged Brass Chrome Plated (CPLS)
Cone	Brass
Set Screw	Brass
Lockshield	Polypropylene



1						
Spare Key	Description	Code	Barcode	Date From	Date To	Price (£) ex VAT
1	S4 BRASS SCREW	840110	5013866058899	01/05/1995	To Current	££0.71
1	S1 BRASS SCREW DISCONTINUED	840026	5013866058837	01/01/1990	30/04/1995	££0.71
1	S4 BRASS SCREW	840110	5013866058899	01/05/1995	To Current	££0.71
1	S1 BRASS SCREW DISCONTINUED	840026	5013866058837	01/01/1990	30/04/1995	££0.71
1	S1 BRASS SCREW DISCONTINUED	840026	5013866058837	01/01/1990	30/04/1995	££0.71
1	S4 BRASS SCREW	840110	5013866058899	01/05/1995	To Current	££0.71
1	S4CP CHROME SCREW	840109	5013866058882	01/05/1995	To Current	££0.82
1	S1CP CHROME SCREW	840025	5013866058820	01/01/1990	30/04/1995	££0.82
1	S1CP CHROME SCREW	840025	5013866058820	01/01/1990	30/04/1995	££0.82
1	S4CP CHROME SCREW	840109	5013866058882	01/05/1995	To Current	££0.82
1	S1CP CHROME SCREW	840025	5013866058820	01/01/1990	30/04/1995	££0.82
1	S4CP CHROME SCREW	840109	5013866058882	01/05/1995	To Current	££0.82

2						
Spare Key	Description	Code	Barcode	Date From	Date To	Price (£) ex VAT
2	WH4 WHEELHANDLE - DISCONTINUED	841001	5013866058974	01/01/1990	30/04/1995	££0.00
2	WH5 WHEELHANDLE	841100	5013866034008	01/05/1995	To Current	££3.66
2	WH4 WHEELHANDLE - DISCONTINUED	841001	5013866058974	01/01/1990	30/04/1995	££0.00
2	WH5 WHEELHANDLE	841100	5013866034008	01/05/1995	To Current	££3.66

2	WH4 WHEELHANDLE - DISCONTINUED	841001	5013866058974	01/01/1990	30/04/1995	££0.00
2	WH5 WHEELHANDLE	841100	5013866034008	01/05/1995	To Current	££3.66
2	WH4 WHEELHANDLE - DISCONTINUED	841001	5013866058974	01/01/1990	30/04/1995	££0.00
2	WH5 WHEELHANDLE	841100	5013866034008	01/05/1995	To Current	££3.66
2	WH5 WHEELHANDLE	841100	5013866034008	01/05/1995	To Current	££3.66
2	WH4 WHEELHANDLE - DISCONTINUED	841001	5013866058974	01/01/1990	30/04/1995	££0.00
2	WH4 WHEELHANDLE - DISCONTINUED	841001	5013866058974	01/01/1990	30/04/1995	££0.00
2	WH5 WHEELHANDLE	841100	5013866034008	01/05/1995	To Current	££3.66

3

Spare Key	Description	Code	Barcode	Date From	Date To	Price (£) ex VAT
3	LS19 LOCKSHIELD	841101	5013866034015	01/05/1995	To Current	££3.66
3	LS18 LOCKSHIELD - DISCONTINUED	841002	5013866058981	01/01/1990	30/04/1995	££0.00
3	LS18 LOCKSHIELD - DISCONTINUED	841002	5013866058981	01/01/1990	30/04/1995	££0.00
3	LS19 LOCKSHIELD	841101	5013866034015	01/05/1995	To Current	££3.66
3	LS19 LOCKSHIELD	841101	5013866034015	01/05/1995	To Current	££3.66
3	LS18 LOCKSHIELD - DISCONTINUED	841002	5013866058981	01/01/1990	30/04/1995	££0.00
3	LS18 LOCKSHIELD - DISCONTINUED	841002	5013866058981	01/01/1990	30/04/1995	££0.00
3	LS19 LOCKSHIELD	841101	5013866034015	01/05/1995	To Current	££3.66
3	LS19 LOCKSHIELD	841101	5013866034015	01/05/1995	To Current	££3.66
3	LS18 LOCKSHIELD - DISCONTINUED	841002	5013866058981	01/01/1990	30/04/1995	££0.00
3	LS18 LOCKSHIELD - DISCONTINUED	841002	5013866058981	01/01/1990	30/04/1995	££0.00
3	LS19 LOCKSHIELD	841101	5013866034015	01/05/1995	To Current	££3.66

4

Spare Key	Description	Code	Barcode	Date From	Date To	Price (£) ex VAT
4	SL1 PLASTIC SLEEVE (WHITE)	840111	5013866058905	01/05/1995	To Current	££0.50
4	SL2 PLASTIC SLEEVE (GREY) - DISCONTINUED	840112	5013866058912	01/01/1990	30/04/1995	££0.00
4	SL1 PLASTIC SLEEVE (WHITE)	840111	5013866058905	01/05/1995	To Current	££0.50
4	SL2 PLASTIC SLEEVE (GREY) - DISCONTINUED	840112	5013866058912	01/01/1990	30/04/1995	££0.00
4	SL1 PLASTIC SLEEVE (WHITE)	840111	5013866058905	01/05/1995	To Current	££0.50
4	SL2 PLASTIC SLEEVE (GREY) - DISCONTINUED	840112	5013866058912	01/01/1990	30/04/1995	££0.00
4	SL2 PLASTIC SLEEVE (GREY) - DISCONTINUED	840112	5013866058912	01/01/1990	30/04/1995	££0.00
4	SL1 PLASTIC SLEEVE (WHITE)	840111	5013866058905	01/05/1995	To Current	££0.50
4	SL1 PLASTIC SLEEVE (WHITE)	840111	5013866058905	01/05/1995	To Current	££0.50
4	SL2 PLASTIC SLEEVE (GREY) - DISCONTINUED	840112	5013866058912	01/01/1990	30/04/1995	££0.00
4	SL2 PLASTIC SLEEVE (GREY) - DISCONTINUED	840112	5013866058912	01/01/1990	30/04/1995	££0.00
4	SL1 PLASTIC SLEEVE (WHITE)	840111	5013866058905	01/05/1995	To Current	££0.50

5

Spare Key	Description	Code	Barcode	Date From	Date To	Price (£) ex VAT
5	GP13 GLAND PACKING	850328	5013866060038	01/01/1990	30/04/1995	££0.90
5	GP13 GLAND PACKING	850328	5013866060038	01/05/1995	To Current	££0.90
5	GP13 GLAND PACKING	850328	5013866060038	01/05/1995	To Current	££0.90
5	GP13 GLAND PACKING	850328	5013866060038	01/01/1990	30/04/1995	££0.90
5	GP13 GLAND PACKING	850328	5013866060038	01/01/1990	30/04/1995	££0.90
5	GP13 GLAND PACKING	850328	5013866060038	01/05/1995	To Current	££0.90
5	GP13 GLAND PACKING	850328	5013866060038	01/05/1995	To Current	££0.90
5	GP13 GLAND PACKING	850328	5013866060038	01/01/1990	30/04/1995	££0.90

5	GP13 GLAND PACKING	850328	5013866060038	01/05/1995	To Current	££0.90
5	GP13 GLAND PACKING	850328	5013866060038	01/01/1990	30/04/1995	££0.90
5	GP13 GLAND PACKING	850328	5013866060038	01/01/1990	30/04/1995	££0.90
5	GP13 GLAND PACKING	850328	5013866060038	01/05/1995	To Current	££0.90

6

Spare Key	Description	Code	Barcode	Date From	Date To	Price (£) ex VAT
6	TP1 BRASS TAIL PIPE	841003	5013866058998	01/01/1990	30/04/1995	££8.67
6	TP1 BRASS TAIL PIPE	841003	5013866058998	01/05/1995	To Current	££8.67
6	TP1 BRASS TAIL PIPE	841003	5013866058998	01/01/1990	30/04/1995	££8.67
6	TP1 BRASS TAIL PIPE	841003	5013866058998	01/05/1995	To Current	££8.67
6	TP1 BRASS TAIL PIPE	841003	5013866058998	01/05/1995	To Current	££8.67
6	TP1 BRASS TAIL PIPE	841003	5013866058998	01/01/1990	30/04/1995	££8.67
6	TP1CP CHROME TAIL PIPE	841006	5013866059001	01/01/1990	30/04/1995	££10.34
6	TP1CP CHROME TAIL PIPE	841006	5013866059001	01/05/1995	To Current	££10.34
6	TP1CP CHROME TAIL PIPE	841006	5013866059001	01/05/1995	To Current	££10.34
6	TP1CP CHROME TAIL PIPE	841006	5013866059001	01/01/1990	30/04/1995	££10.34
6	TP1CP CHROME TAIL PIPE	841006	5013866059001	01/01/1990	30/04/1995	££10.34
6	TP1CP CHROME TAIL PIPE	841006	5013866059001	01/05/1995	To Current	££10.34

7

Spare Key	Description	Code	Barcode	Date From	Date To	Price (£) ex VAT
7	TP2 BRASS TAIL PIPE	841007	5013866059018	01/01/1990	30/04/1995	££10.78
7	TP2 BRASS TAIL PIPE	841007	5013866059018	01/05/1995	To Current	££10.78
7	TP2 BRASS TAIL PIPE	841007	5013866059018	01/05/1995	To Current	££10.78
7	TP2 BRASS TAIL PIPE	841007	5013866059018	01/01/1990	30/04/1995	££10.78
7	TP2 BRASS TAIL PIPE	841007	5013866059018	01/01/1990	30/04/1995	££10.78
7	TP2 BRASS TAIL PIPE	841007	5013866059018	01/05/1995	To Current	££10.78
7	TP2CP CHROME TAIL PIPE	841008	5013866059025	01/01/1990	30/04/1995	££12.94
7	TP2CP CHROME TAIL PIPE	841008	5013866059025	01/05/1995	To Current	££12.94
7	TP2CP CHROME TAIL PIPE	841008	5013866059025	01/05/1995	To Current	££12.94
7	TP2CP CHROME TAIL PIPE	841008	5013866059025	01/01/1990	30/04/1995	££12.94
7	TP2CP CHROME TAIL PIPE	841008	5013866059025	01/01/1990	30/04/1995	££12.94
7	TP2CP CHROME TAIL PIPE	841008	5013866059025	01/05/1995	To Current	££12.94

8

Spare Key	Description	Code	Barcode	Date From	Date To	Price (£) ex VAT
8	DC5 DUST CAP	841102	5013866059063	01/05/1995	To Current	££2.43
8	DC3 DUST CAP	841021	5013866059032	01/01/1990	30/04/1995	££7.04
8	DC5 DUST CAP	841102	5013866059063	01/05/1995	To Current	££2.43
8	DC3 DUST CAP	841021	5013866059032	01/01/1990	30/04/1995	££7.04
8	DC3 DUST CAP	841021	5013866059032	01/01/1990	30/04/1995	££7.04
8	DC5 DUST CAP	841102	5013866059063	01/05/1995	To Current	££2.43
8	DC5 DUST CAP	841102	5013866059063	01/05/1995	To Current	££2.43
8	DC3 DUST CAP	841021	5013866059032	01/01/1990	30/04/1995	££7.04
8	DC3 DUST CAP	841021	5013866059032	01/01/1990	30/04/1995	££7.04
8	DC5 DUST CAP	841102	5013866059063	01/05/1995	To Current	££2.43
8	DC3 DUST CAP	841021	5013866059032	01/01/1990	30/04/1995	££7.04
8	DC5 DUST CAP	841102	5013866059063	01/05/1995	To Current	££2.43